

MODEL / MODÈLE / MODELO: PB2180LK  
PART / PIÈCE / PARTE: : 10500



# PLATINUM

# LOCKHART

## **WOOD PELLET & SMOKER COMBO**

IMPORTANT, READ CAREFULLY, RETAIN FOR FUTURE REFERENCE.  
MANUAL MUST BE READ BEFORE OPERATING!

## **COMBO DE GRANULÉS DE BOIS ET FUMOIR**

IMPORTANT, PRENEZ CONNAISSANCE DE CE DOCUMENT ET CONSERVEZ-LE POUR  
RÉFÉRENCE ULTÉRIEURE VOUS DEVEZ LIRE CE GUIDE AVANT D'UTILISER LE BARBECUE !

## **COMBINACIÓN DE PELLETS DE MADERA Y PARRILLA**

IMPORTANTE, LEA DETENIDAMENTE, CONSERVE PARA REFERENCIA FUTURA.  
¡DEBE LEER EL MANUAL ANTES DE LA OPERACIÓN!



## **INSTRUCTIONS AND RECIPES | INSTRUCTIONS ET RECETTES | INSTRUCCIONES Y RECETAS**

**WARNING:** Please read the entire manual before installation and use of this electric, pellet fuel burning appliance. Failure to follow these instructions could result in property damage, bodily injury or even death. Contact local building or fire officials about restrictions and installation inspection requirements in your area.

**AVERTISSEMENT:** Veuillez lire l'intégralité du manuel avant l'installation et l'utilisation de cet appareil électrique, à granules. Ne pas suivre ces instructions peut entraîner des dégâts matériels ou des blessures corporelles graves pouvant aller jusqu'à la mort. Contactez les responsables locaux de la construction ou des incendies au sujet des restrictions et des exigences d'inspection de l'installation dans votre région.

**ADVERTENCI:** Lea el manual completo antes de instalar y utilizar este aparato eléctrico para quemar pellets de combustible. Incumplir estas instrucciones podría causar daños materiales, lesiones corporales, e incluso la muerte. Consulte a sus funcionarios locales de construcción y control de incendios para informarse sobre las restricciones y los requisitos de inspección de instalaciones en su región.

# SAFETY INFORMATION

**MAJOR CAUSES OF APPLIANCE FIRES ARE A RESULT OF POOR MAINTENANCE AND A FAILURE TO MAINTAIN REQUIRED CLEARANCE TO COMBUSTIBLE MATERIALS. IT IS OF UTMOST IMPORTANCE THAT THIS PRODUCT BE USED ONLY IN ACCORDANCE TO THE FOLLOWING INSTRUCTIONS.**

Please read and understand this entire manual before attempting to assemble, operate or install the product. This will ensure you receive the most enjoyable and trouble-free operation of your new wood pellet grill. We also advise you retain this manual for future reference.

## DANGERS AND WARNINGS

**You must contact your local home association, building or fire officials, or authority having jurisdiction, to obtain the necessary permits, mission or information on any installation restrictions, such as any grill being installed on a combustible surface, inspection requirements or even ability to use, in your area.**

1. A minimum clearance of 914mm (36 inches) from combustible constructions to the sides of the grill, and 914mm (36 inches) from the back of the grill to combustible constructions must be maintained. **Do not install appliance on combustible floors, or floors protected with combustible surfaces unless proper permits and permissions are obtained by authorities having jurisdiction.** Do not use this appliance indoors or in an enclosed, unventilated area. This wood pellet appliance must not be placed under overhead combustible ceiling or overhang. Keep your grill in an area clear and free from combustible materials, gasoline and other flammable vapors and liquids.

**Should a grease fire occur, turn the grill OFF and leave the lid closed until the fire is out. Unplug the power cord from the connected outlet. Do not throw water on the unit. Do not try to smother the fire. Use of an all-class (class ABC) approved fire extinguisher is valuable to keep on site. If an uncontrolled fire does occur, call the Fire Department.**

2. Keep electrical supply cords and the fuel away from heated surfaces. Do not use your grill in the rain or around any water source.
3. After a period of storage, or non-use, check the burn grate for obstructions, the hopper for foreign objects, and any air blockage around the fan intake, chimney, or rear barrel exhaust holes. Clean before use. Regular care and maintenance is required to prolong the lifespan of your unit. **If the grill is stored outside during the rainy season or seasons of high humidity, care should be taken to insure that water does not get into the hopper.** When wet or exposed to high humidity, wood pellets will expand greatly, decompose, and may jam the feed system. Always disconnect the power, before performing any service or maintenance.

**Do not transport your grill while in use or while the grill is hot. Ensure the fire is completely out and that the grill is completely cool to the touch before moving.**

4. It is recommended to use heat-resistant barbecue mitts or gloves when operating the grill. Do not use accessories not specified for use with this appliance. Do not put a barbecue cover or anything flammable in the storage space area under the barbecue.
5. To prevent fingers, clothing or other objects from coming in contact with the auger feed system, the appliance is equipped with a metal safety screen, mounted to the interior of the hopper. This screen must not be removed unless directed by Customer Service or an authorized dealer.

**This appliance is not recommended for children, persons with reduced physical, sensory or mental capabilities, or lack of experience and knowledge, unless they are under direct supervision or instruction by a person responsible for their safety.**

6. Parts of the barbecue may be very hot and serious injury may occur. Keep young children and pets away while in use.
7. Do not enlarge igniter holes or burn pots. Failure to follow this warning could lead to a fire hazard and bodily harm and will void your warranty.
8. Product may have sharp edges or points. Contact may result in injury. Handle with care.

## DISPOSAL OF ASHES

Ashes should be placed in a metal container with a tight-fitting lid. The closed container of ashes should be placed on a non-combustible floor or on the ground, well away from all combustible materials, pending final disposal. When ashes are disposed by burial in soil, or otherwise locally dispersed, they should be retained in a closed container until all cinders have thoroughly cooled.

## WOOD PELLET FUEL

This pellet cooking appliance is designed and approved for pelletized, all natural, wood fuel only. Any other type of fuel burned in this appliance will void the warranty and safety listing. You must only use all natural wood pellets, designed for burning in pellet barbecue grills. Do not use fuel with additives. Wood pellets are highly susceptible to moisture and should always be stored in an airtight container. If you are storing your grill, without use, for an extended period, we recommend clearing all pellets from your grill's hopper and auger, to prevent jams. The pellet fuel mean heating value in 8000-8770 BTU/LB, ash content < 1%.

**Do not use spirit, petrol, gasoline, lighter-fluid or kerosene for lighting or refreshing a fire in your grill. Keep all such liquids well away from the appliance when in use.**

At time of printing, there is no industry standard for barbecue wood pellets, although most pellet mills use the same standards to make wood pellets for domestic use. Further information can be found at [www.pelletheat.org](http://www.pelletheat.org) or the *Pellet Fuel Institute*.

Contact your local dealer on the quality of pellets in your area and for information on brand quality. As there is no control over the quality of pellets used, we assume no responsibility to damage caused by poor quality of fuel.

## CREOSOTE

Creosote, or soot, is a tar-like substance. When burning, it produces black smoke with a residue which is also black in color. Soot or creosote is formed when the appliance is operated incorrectly, such as: blockage of the combustion fan, failure to clean and maintain the burn area, moisture affected pellets, or poor air-to-fuel combustion.

It is dangerous to operate this appliance should the flame become dark, sooty, or if the burn pot is overfilled with pellets. When ignited, this creosote makes an extremely hot and uncontrolled fire, similar to a grease fire. Should this happen, turn the unit OFF, let it cool completely, then inspect for maintenance and cleaning. It commonly accumulates along exhaust areas.

If creosote has formed within the unit, allow the unit to warm up at a low temperature, turn off the appliance, then wipe away any formation with a hand towel. Similar to tar, it is much easier to clean when warm, as it becomes liquid.

## CARBON MONOXIDE ("THE SILENT KILLER")

Carbon monoxide is a colorless, odorless, tasteless gas produced by burning gas, wood, propane, charcoal or other fuel. Carbon monoxide reduces the blood's ability to carry oxygen. Low blood oxygen levels can result in headaches, dizziness, weakness, nausea, vomiting, sleepiness, confusion, loss of consciousness or death. Follow these guidelines to prevent this colorless, odorless gas from poisoning you, your family, or others:

- See a doctor if you or others develop cold or flu-like symptoms while cooking or in the vicinity of the appliance. Carbon monoxide poisoning, which can easily be mistaken for a cold or flu, is often detected too late.
- Alcohol consumption and drug use increase the effects of carbon monoxide poisoning.

Carbon monoxide is especially toxic to mother and child during pregnancy, infants, the elderly, smokers, and people with blood or circulatory system problems, such as anemia, or heart disease.

## SAFETY LISTING

In accordance with the procedures and specifications listed in the UL 2728A-2019 "pellet fuel burning cooking appliances" and ULC/ORD C2728-19 "pellet fuel burning equipment." Pit Boss Grills pellet cooking appliances have been independently tested and listed by CSA (an accredited testing laboratory) to UL and ULC standards.



## FCC COMPLIANCE STATEMENT

This device complies with Part 15 of FCC Rules. Operation is subject to the following two conditions:

(1) This device may not cause harmful interference, and (2) This device must accept any interference received, including interference that may cause undesired operation.



This equipment has been tested and found to comply with the limits for a Class B digital device, pursuant to part 15 of FCC Rules. These limits are designed to provide reasonable protection against harmful interference in a residential installation. This equipment generates, uses, and can radiate radio frequency energy and, if not installed and used in accordance with the instructions, may cause harmful interference to radio communications. However, there is no guarantee that interference will not occur in a particular installation. If this equipment does cause harmful interference to radio or television reception, which can be determined by turning the equipment off and on, the user is encouraged to try to correct the interference by one or more of the following measures:

- Reorient or relocate the receiving antenna.
- Increase the separation between the equipment and receiver.
- Connect the equipment into an outlet on a circuit different from that to which the receiver is connected.
- Consult the dealer or an experienced radio/TV technician for help.



### COPYRIGHT NOTICE

Copyright 2020. All right reserved. No part of this manual may be copied, transmitted, transcribed, stored in a retrieval system, in any form or by any means without expressed written permission of,

### Dansons

3411 North 5th Avenue, Suite 500, Phoenix, AZ, USA 85013  
 sales@pitboss-grills.com | service@pitboss-grills.com  
[www.pitboss-grills.com](http://www.pitboss-grills.com)

### Customer Service

Monday through Sunday, 4am - 8pm PST (EN/FR/ES)  
**Toll-Free: 1-877-303-3134, Fax: 1-877-303-3135**

# TABLE OF CONTENTS

Safety Information .....	2	Operating Instructions	
Parts & Specs.....	6	Grill Environment .....	16
Assembly Preparation.....	8	Grill Temperature Ranges.....	17
Assembly Instructions		Smoker Temperature Ranges.....	17
Remove Components From The Box.....	8	Understanding The Control Board .....	19
Securing Front Legs To The Grill.....	8	Connecting to the Smoke IT® App .....	19
Installing Front Panel To the Grill .....	9	Understanding The Probes .....	19
Installing Ash tray Bracket.....	9	Hopper Priming Procedure .....	20
Securing Front Legs to Bottom Shelf .....	9	First Use – Grill Burn-Off.....	20
Securing Back Legs To The Grill.....	9	Automatic Start-Up Procedure.....	21
Securing Front Legs to Bottom Shelf.....	10	Manual Start-Up Procedure.....	21
Connecting wheels To Cart.....	10	Shutting Off Your Grill.....	21
Mounting Smoke Stack To Grill.....	10	Care & Maintenance .....	22
Securing Smoke Stack Lid.....	11	Using Wood Pellet Fuel.....	23
Standing The Grill Upright .....	11	Cooking Guidelines.....	24
Attaching Screws To Side Main Chamber .....	11	Tips & Techniques .....	26
Installing Side Table.....	11	Troubleshooting .....	27
Securing Side Table .....	11	Electrical Wire Diagram .....	29
Installing Flame Broiler Handle ( Hole Side).....	12	Replacement Parts	
Installing Flame Broiler Handle ( Knob Side) .....	12	Grill Replacement Parts .....	30
Mounting Flame Broiler Handle Supporter.....	12	Hopper Replacement Parts.....	32
Installing The Knobs.....	12	Warranty	
Installing The Ash Cleaning Assembly .....	12	Conditions.....	33
Installing The Grill Lid Handle .....	13	Exceptions.....	33
Installing The Hopper Lid Handle.....	13	Ordering Replacement Parts .....	34
Mounting Flame Broiler Components .....	13	Contact Customer Service .....	34
Installing Flame Broiler Slider Handle .....	14	Warranty Service .....	34
Installing The Cooking Components .....	14	Accessories Sold Separately.....	35
Installing The Smoker Cooking Components .....	14	Recipes .....	35
Installing Meat Hooks .....	15		
Installing Grease Bucket .....	15		
Connecting To A Power Source.....	15		

# PARTS & SPECS

ENGLISH

Part#	Description
1	Smoker Stack Lid (x2)
2	Smoker Stack (x2)
3	Main Grill/Hopper Assembly (x1)
4	S Meat Hook (x6)
5	Smoker Cooking Grid (x4)
6	Grease Tray (x1)
7	Lid Handle Assembly (x1)
8	Hopper Lid Handle Assembly (x1)
9	Meat Probe (x2)
10	Ash Tray Bracket (x1)
11	Ash Tray (x1)
12	Cart Front Panel (x1)
13	Back Left Leg (x1)
14	Caster Wheel (x2)
15	Front Left Leg (x1)
16	Bottom Shelf (x1)
17	Locking Caster Wheel (x2)
18	Front Right Leg (x1)
19	Back Right Leg (x1)
20	Grease Bucket (x1)
21	Side Table (x1)
22	Flame Broiler Slider Pull Handle Connector (x1)
23	Flame Broiler Slider Pull Handle (x1)
24	Knob (x3)
25	Flame Broiler Slider Pull Handle Supporter (x1)
26	Flame Broiler Main Plate (x1)
27	Flame Broiler Slider (x1)
28	Porcelain-Coated Cast-Iron Cooking Grid (x2)
29	Porcelain-Coated Steel Warming Rack (x1)

Part#	Description
A	Screw (x38)
B	Screw (x5)
C	Screw (x17)
D	Screw (x1)

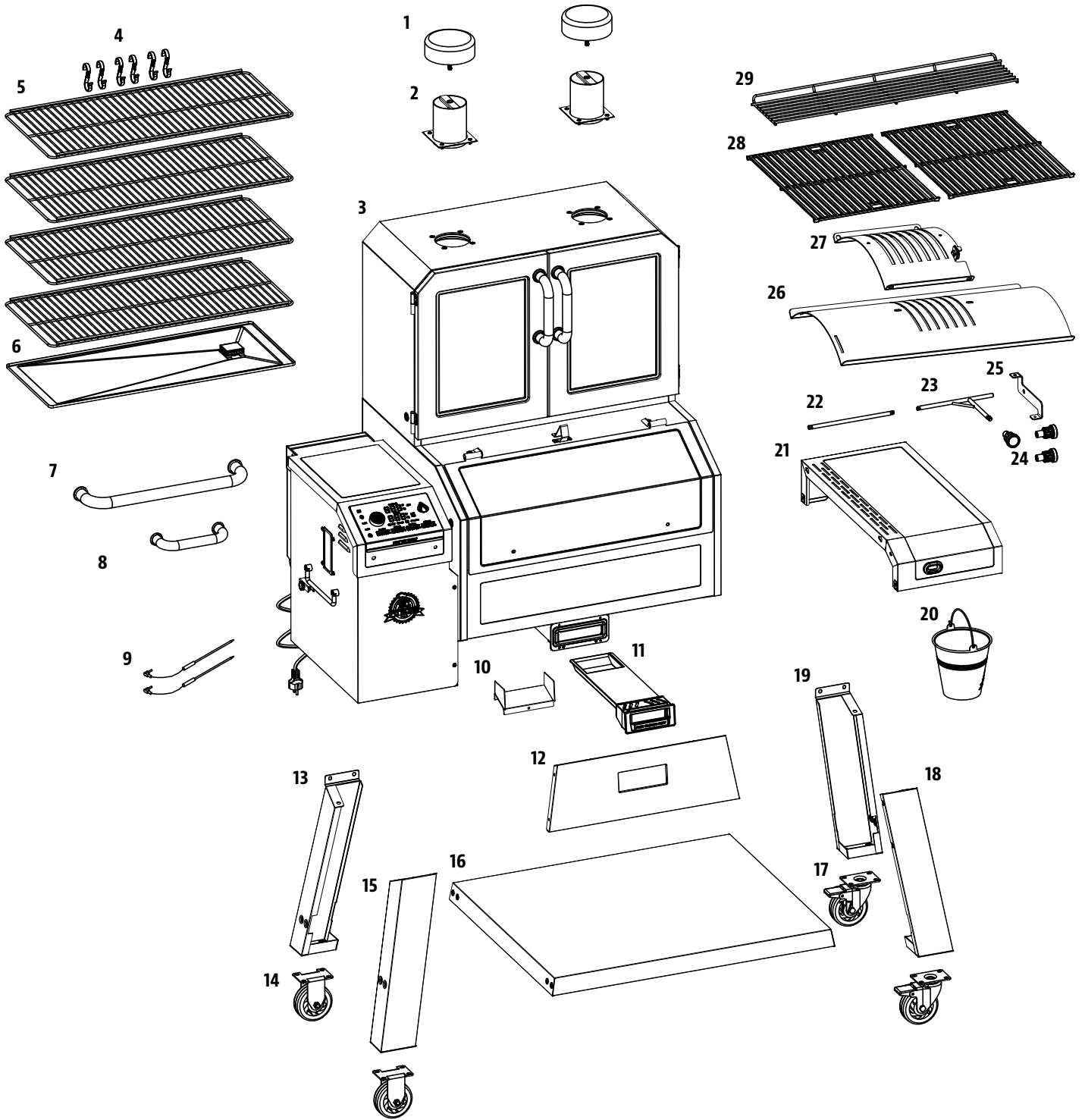
NOTE: Due to ongoing product development, parts are subject to change without notice. Contact Customer Service if parts are missing when assembling the unit.

**PB – ELECTRIC REQUIREMENTS**  
**120V, 60HZ, 300W, 3-PRONG GROUNDED PLUG**

Diagram Illustration on next page.

MODEL	UNIT ASSEMBLED (WxHxD)	UNIT WEIGHT	COOKING AREA		TEMP. RANGE	DIGITAL FEATURES
PB PB2180LK	1,400mm x 1,700mm x 780mm / 55" x 66.9" x 30.7"	121 kg / 266.7 lb	Main - 3,522.6 cm <sup>2</sup> / 546 sq. in.	Upper Rack - 1,190.6 cm <sup>2</sup> / 184 sq. in.	82-260°C / 180-500°F	Fourteen temperature presets, start-up cycle, electric igniter
			<b>TOTAL - 4,713.2 cm<sup>2</sup> / 730 sq. in.</b>			
			<b>TOTAL GRILL - 14,429 cm<sup>2</sup> / 2,236 sq. in.</b>			

# PARTS & SPECS



ENGLISH

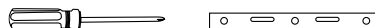
# ASSEMBLY PREPARATION

Parts are located throughout the shipping carton, including underneath the grill. Inspect the grill, parts, and hardware blister pack after removing from the protective shipping carton. Discard all packaging materials from inside and outside of the grill before assembly, then review and inspect all parts by referencing the parts list. If any part is missing or damaged, do not attempt to assemble. Shipping damage is not covered under warranty. Contact your dealer or Pit Boss Customer Service for parts: Monday through Sunday, 4am - 8pm PST (EN/FR/ES).

service@pitboss-grills.com | Toll-Free: 1-877-303-3134 | Toll-Free Fax: 1-877-303-3135

**IMPORTANT:** To ease installation and avoid injury, use two people when assembling this appliance.

Tools required for assembly: screwdriver and level. *Tools not included.*



# ASSEMBLY INSTRUCTIONS

**IMPORTANT:** It is advised to read each step entirely before starting assembly on instructions. Do not tighten screws completely until all screws for that step have been installed. Hardware combination involving a locking washer and washer should be installed with the locking washer closest to the head of the screw.

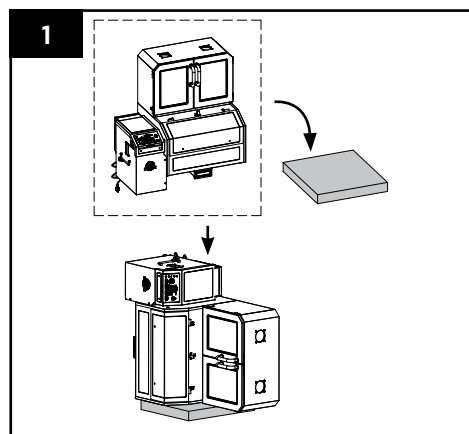
## 1. REMOVING COMPONENTS FROM THE BOX

### Parts Required:

1 x Main Grill/Hopper Assembly (#3)

### Installation:

- Open the color box.
- Remove all components from the smoker and firebox.
- Place a piece of foam board on the floor to prevent scratching the unit.
- Lay the Main Grill/Hopper Assembly on it's right side to the foam board.



## 2. SECURING FRONT LEGS TO THE GRILL

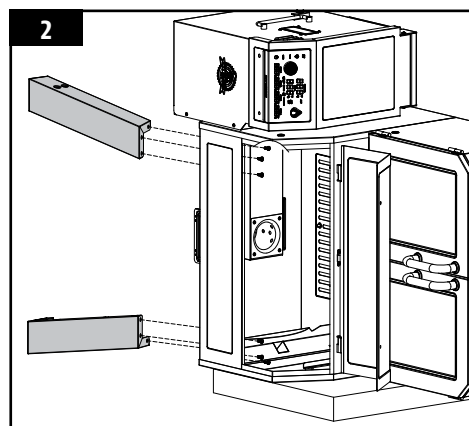
### Parts Required:

1 x Front Left Leg (#15)  
1 x Front Right Leg (#18)  
1 x Main Grill/Hopper Assembly (#3)  
6 x Screw (#A)

### Installation:

- Open the lid of firebox.
- Mount Front Left Leg and Front Right Leg to the bottom of the Grill/Hopper Assembly.

**NOTE:** Fasten screws of the support legs only half-way to allow easier installation in next step.





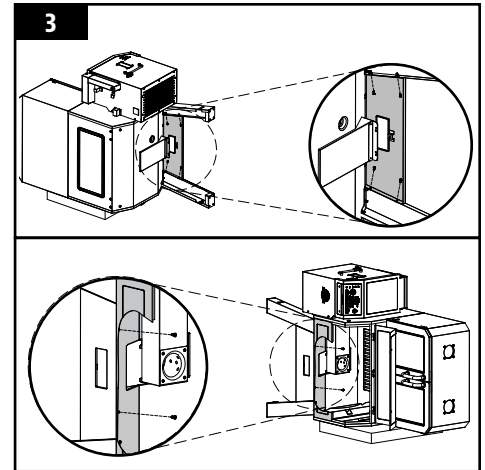
### 3. INSTALLING FRONT PANEL TO THE GRILL

**Parts Required:**

- 1 x Cart Front Panel (#12)
- 1 x Main Grill/Hopper Assembly (#3)
- 4 x Screw (#C)
- 2 x Screw (#A)

**Installation:**

- Mount Cart Front Panel to the bottom of Grill/Hopper Assembly.



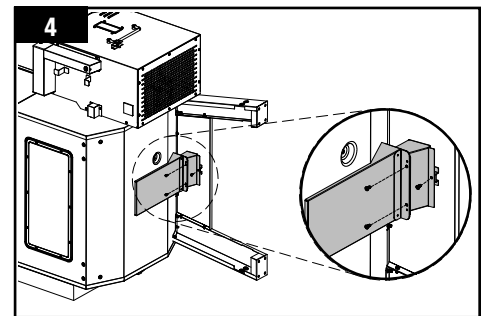
### 4. INSTALLING ASH TRAY BRACKET

**Parts Required:**

- 1 x Ash Tray Bracket (#10)
- 1 x Main Grill/Hopper Assembly (#3)
- 3 x Screw (#C)

**Installation:**

- Mount Ash Tray Bracket between the Grill/Hopper Assembly and the Cart Front Panel.



### 5. SECURING FRONT LEGS TO BOTTOM SHELF

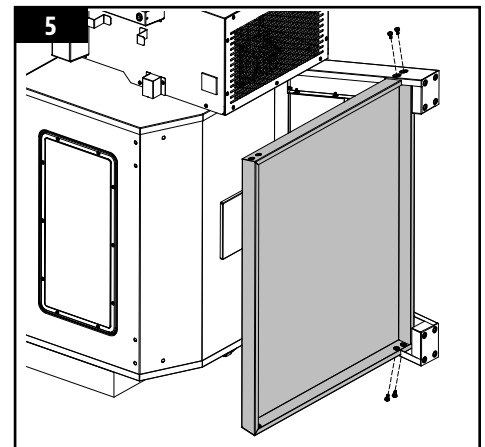
**Parts Required:**

- 1 x Bottom Shelf (#16)
- 4 x Screw (#A)

**Installation:**

- Mount Front Left Leg and Front Right Leg to the Bottom Shelf.

**NOTE: Fasten screws of the support legs only half-way to allow easier installation in next step.**



### 6. SECURING BACK LEGS TO THE GRILL

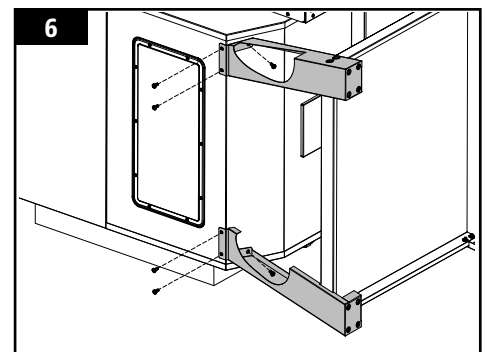
**Parts Required:**

- 1 x Back Left Leg (#13)
- 1 x Back Right Leg (#19)
- 1 x Main Grill/Hopper Assembly (#3)
- 6 x Screw (#A)

**Installation:**

- Mount Back Left Leg and Back Right Leg to the bottom of the Grill/Hopper Assembly.

**NOTE: Fasten screws of the support legs only half-way to allow easier installation in next step.**



## 7. SECURING BACK LEGS TO BOTTOM SHELF

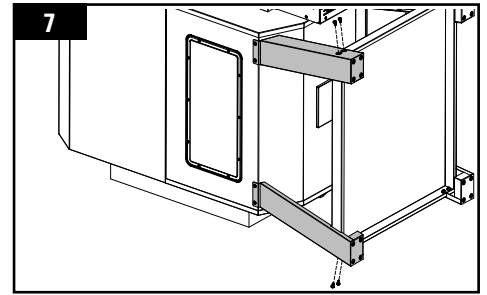
### Parts Required:

- 1 x Main Grill/Hopper Assembly (#3)
- 1 x Bottom Shelf (#16)
- 4 x Screw (#A)

### Installation:

- Mount Back Left Leg and Back Right Leg to the Bottom Shelf.

**NOTE:** Once all screws are installed, then tighten securely into the legs.



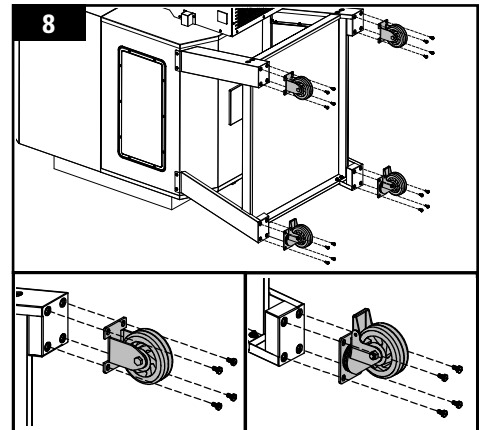
## 8. CONNECTING WHEELS TO THE CART

### Parts Required:

- 1 x Main Grill/Hopper Assembly (#3)
- 2 x Locking Caster wheels (#17)
- 2 x Caster Wheels (#14)
- 16 x Screw (#A)

### Installation:

- Mount Caster Wheels to 2 left legs and Locking Caster Wheels to 2 right legs.



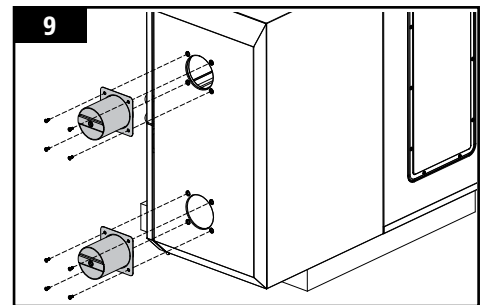
## 9. MOUNTING SMOKE STACK TO GRILL

### Parts Required:

- 2 x Smoker Stack (#2)
- 1 x Main Grill/Hopper Assembly (#3)
- 8 x Screw (#C)

### Installation:

- Mount Smoker Stack to the Grill/Hopper Assembly..



## 10. SECURING SMOKE STACK LID

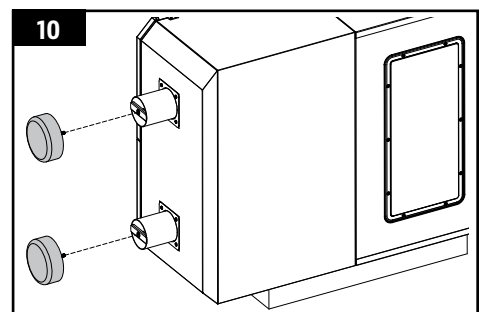
### Parts Required:

- 2 x Smoker Stack Lid (#1)

### Installation:

- Mount Smoker Stack Lid to the Smoker Stack.

**NOTE:** Adjust the chimney cap to affect the airflow inside the main grill.



## 11. STANDING THE GRILL UPRIGHT

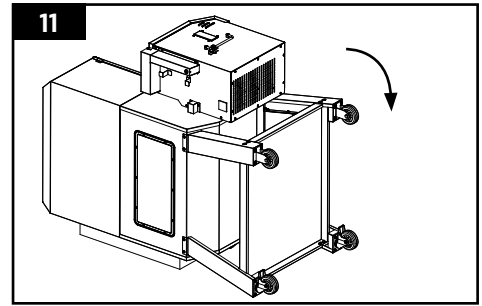
### Parts Required:

- 1 x Main Grill/Hopper Assembly (#3)
- 2 x Locking Caster Wheels (#17)

### Installation:

- Ensure all Locking Caster Wheels are locked.
- Stand the whole grill up.

**IMPORTANT: Re-tighten the support leg screws to ensure they are completely secure after positioning the grill upright.**



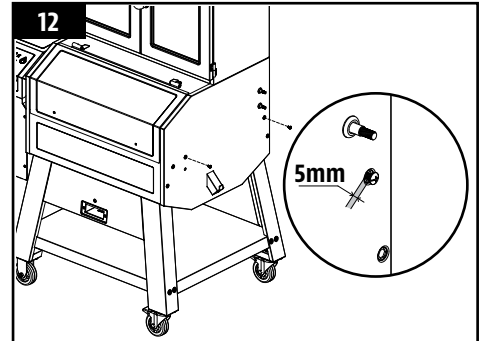
## 12. ATTACHING SCREWS TO SIDE MAIN CHAMBER

### Parts Required:

- 1 x Main Grill/Hopper Assembly (#3)
- 2 x Screw (#B)

### Installation:

- Attach Screws on the right side of the main chamber and leave about 1/4" out.



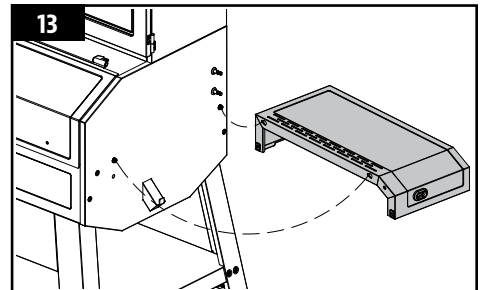
## 13. INSTALLING THE SIDE TABLE

### Parts Required:

- 1 x Main Grill/Hopper Assembly (#3)
- 1 x Side Table (#21)

### Installation:

- Hang the right Side Table onto those two screws and then push left to seat on it.



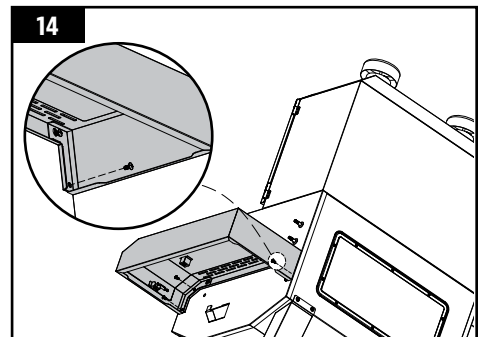
## 14. SECURING THE SIDE TABLE

### Parts Required:

- 1 x Main Grill/Hopper Assembly (#3)
- 1 x Side Table (#21)
- 3 x Screw (#B)

### Installation:

- Tighten Screws securely.



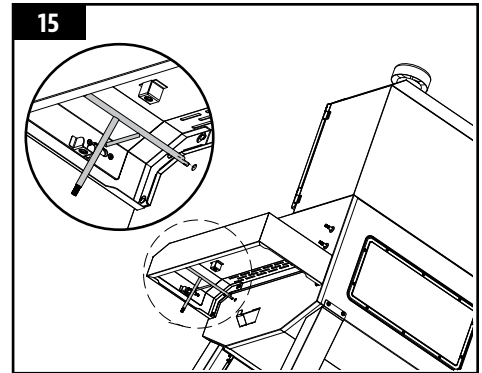
**15. INSTALLING FLAME BROILER HANDLE (HOLE SIDE)**

**Parts Required:**

- 1 x Main Grill/Hopper Assembly (#3)
- 1 x Flame Broiler Side Pull Handle (#23)

**Installation:**

- Insert the Flame Broiler Side Pull Handle (With Hole Side) to the hole on the Right Side Panel of the Grill/Hopper Assembly..



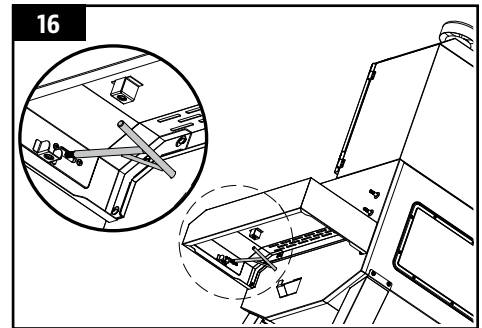
**16. INSTALLING THE FLAME BROILER HANDLE (KNOB SIDE)**

**Parts Required:**

- 1 x Main Grill/Hopper Assembly (#3)
- 1 x Flame Broiler Side Pull Handle (#23)
- 1 x Side Table (#21)

**Installation:**

- Insert the Flame Broiler Side Pull Handle (With Knob Side) to the hole on the Side Table.



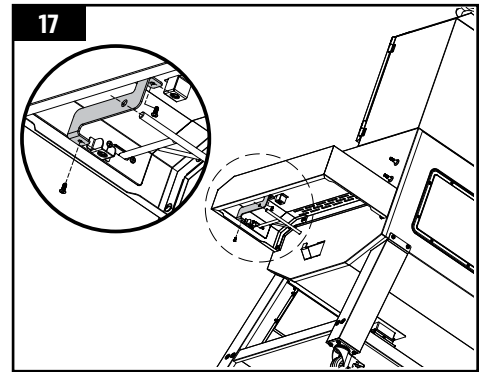
**17. MOUNTING FLAME BROILER HANDLE SUPPORTER**

**Parts Required:**

- 1 x Main Grill/Hopper Assembly (#3)
- 1 x Flame Broiler Side Pull Handle Supporter (#25)
- 1 x Side Table (#21)
- 2 x Screw (#C)

**Installation:**

- Mount Flame Broiler Slider Pull Handle Supporter to the Side Table.



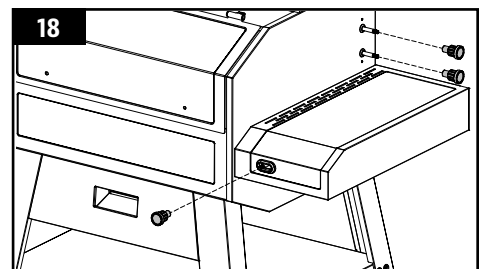
**18. INSTALLING THE KNOBS**

**Parts Required:**

- 1 x Main Grill/Hopper Assembly (#3)
- 3 x Knobs (#24)

**Installation:**

- Mount three Knobs to the three pull handles.



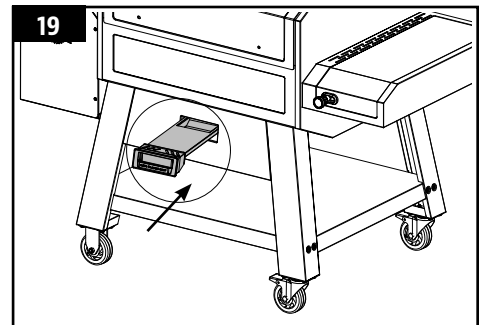
**19. INSTALLING THE ASH TRAY ASSEMBLY**

**Parts Required:**

- 1 x Main Grill/Hopper Assembly (#3)
- 1 x Ash Tray (#11)

**Installation:**

- Push the Ash Tray into the Ash Tray Bracket.



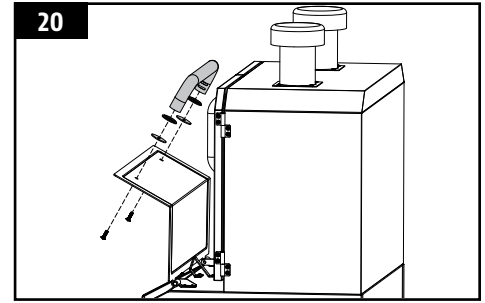
## 20. INSTALLING THE GRILL LID HANDLE

### Parts Required:

- 1 x Main Grill/Hopper Assembly (#3)
- 1 x Lid Handle Assembly (#7)

### Installation:

- Remove the two pre-installed screws from Lid Handle Assembly, mount the Lid Handle Assembly onto the Lid of Grill/Hopper Assembly.



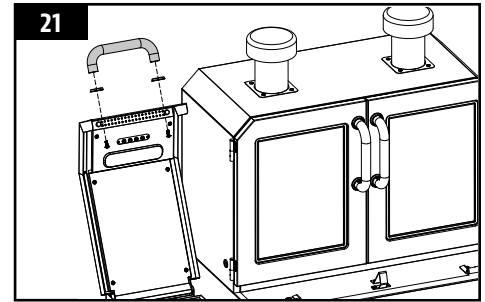
## 21. INSTALLING THE HOPPER LID HANDLE

### Parts Required:

- 1 x Main Grill/Hopper Assembly (#3)
- 1 x Hopper Lid Handle Assembly (#8)

### Installation:

- Remove the two pre-installed screws from Hopper Lid Handle Assembly, mount the Hopper Lid Handle Assembly onto the Lid of Hopper.



## 22. INSTALLING THE FLAME BROILER COMPONENTS

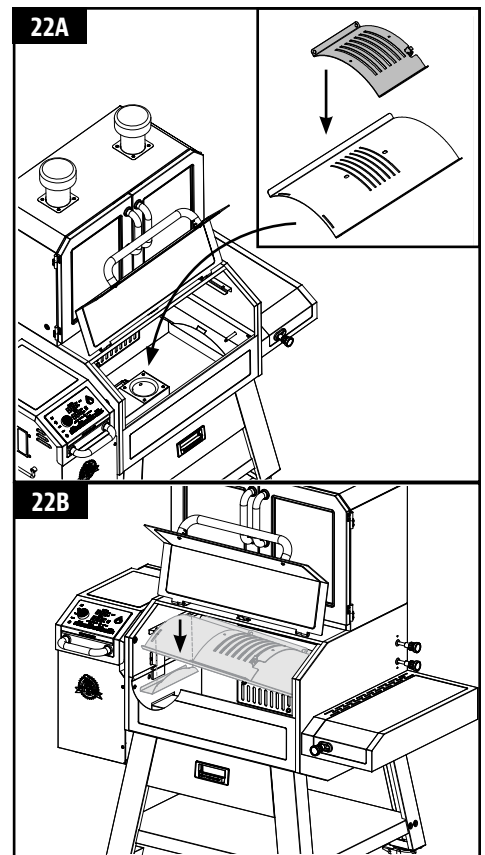
### Parts Required:

- 1 x Main Grill/Hopper Assembly (#3)
- 1 x Flame Broiler Main Plate (#26)
- 1 x Flame Broiler Slider (#27)

### Installation:

- Place the flame broiler slider on top of the flame broiler main plate, with the raised tab on the right side. Ensure the two tabs on the slider place into the slot holes of the main plate, covering the slotted openings. Note illustration 22A.
- Insert the flame broiler main plate into the main grill. Rest the flame broiler main plate on the built-in ledge (on the inside right) of the main grill that directs grease towards the grease bucket spout. Slide the entire piece to the left side, and the two slots on the flame broiler main plate will fit into the rounded ledge above the burn pot. It will sit slightly at a downward angle. Note illustration 22B.
- Both flame broiler parts are lightly coated with oil to avoid rusting when shipped.

**IMPORTANT:** If the main plate is resting on the base of the barrel, it is installed incorrectly. Poor installation may result in damage to your main grill barrel.



### 23. INSTALLING THE FLAME BROILER SLIDER HANDLE

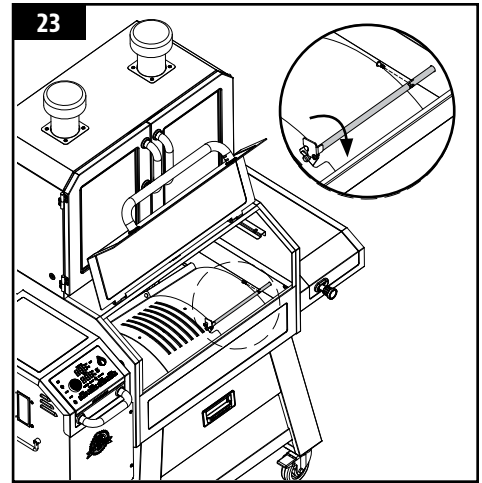
**Parts Required:**

- 1 x Main Grill/Hopper Assembly (#3)
- 1 x Flame Broiler Main Plate (#26)
- 1 x Flame Broiler Slider (#27)
- 1 x Flame Broiler Slider Pull Handle Connector (#22)
- 1 x Flame Broiler Slider Pull Handle (#23)
- 1 x Screw (#D)

**Installation:**

- Unlock the raised tab, Slide the notched end of the Flame Broiler Slider Pull Handle Connector into the raised tab on the flame broiler slider, and tighten the Flame Broiler Slider Pull Handle Connector with Flame Broiler Slide Pull Handle with one screw, giving you adjustable access to the slider on the main plate.

**NOTE: When the flame broiler slider is open, and direct flame is used while cooking, do not leave the grill unattended for any period of time.**



### 24. INSTALLING THE GRILL COOKING COMPONENTS

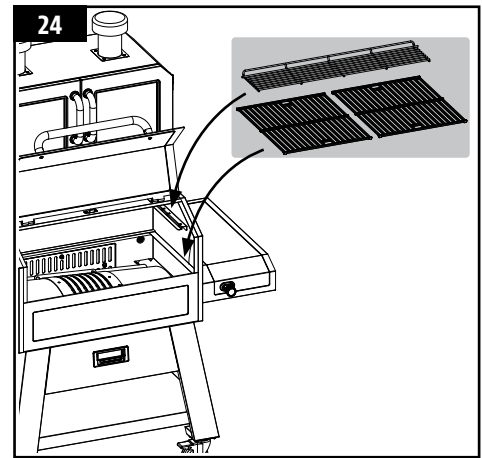
**Parts Required:**

- 1 x Main Grill/Hopper Assembly (#3)
- 2 x Porcelain-Coated Cast-Iron Cooking Grid (#28)
- 1 x Porcelain-Coated Steel Upper Warming Rack (#29)

**Installation:**

- Place the Cooking Grids, side by side, on the grid ledge inside the main grill
- Place the Upper Warming Rack on the upper ledge inside the main grill. The Warming Rack will lock into place.

**NOTE: To maintain the searing and grilling performance of your cooking grids, regular care and maintenance is required.**



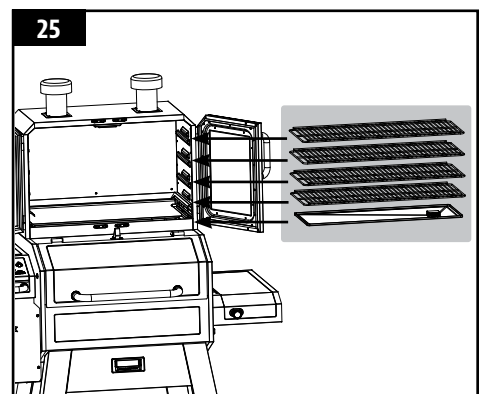
### 25. INSTALLING THE SMOKER COOKING COMPONENTS

**Parts Required:**

- 1 x Main Grill/Hopper Assembly (#3)
- 4 x Smoker Cooking Grid (#5)
- 1 x Grease Tray (#6)

**Installation:**

- Close the lid of main chamber
- Open door of smoker.
- From down to top , put 1 pcs Grease Tray and 4 pcs Smoker Cooking Grid.



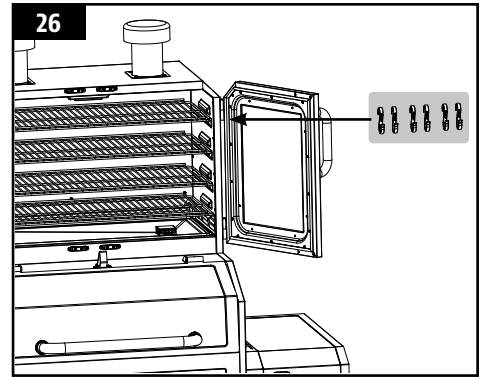
## 26. INSTALLING THE MEAT HOOKS

### Parts Required:

- 1 x Main Grill/Hopper Assembly (#3)
- 6 x S Meat Hook (#4)
- 4 x Smoker Cooking Grid (#5)

### Installation:

- Hang the S Meat Hooks on the Smoker Cooking Grid on your purpose.



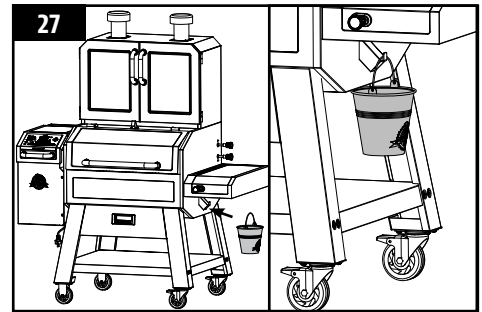
## 27. INSTALLING THE GREASE BUCKET

### Parts Required:

- 1 x Main Grill/Hopper Assembly (#3)
- 1 x Grease Bucket (#20)

### Installation:

- Hang the Grease Bucket under the right side table.
- The unit is now completely assembled.

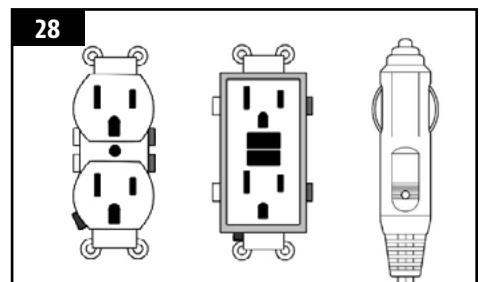


## 28. CONNECTING TO A POWER SOURCE

**NOTE: Before plugging your Pit Boss into any electrical outlet, ensure the temperature dial is in the OFF position.**

- **STANDARD OUTLET**  
This appliance requires 110 volt, 60hz, 300w, 5 amp service. It must be a 3-prong grounded plug. Ensure grounded end is not broken off before use. The control uses a 5 amp, 120 volt, fast-blow fuse to protect the board from the igniter.
- **GFCI OUTLETS**  
This appliance will work on most GFCI outlets, with a recommended size of 15 amp service. If your GFCI outlet is highly sensitive to power surges, it will likely trip during the start-up phase of operation. During the start-up phase, the igniter draws 200-700 watts of electricity, which can be too much power for a GFCI outlet to handle. Each time it trips, it increases in sensitivity. If the GFCI keeps tripping, replace the outlet or change to a non-GFCI outlet.
- **ON THE ROAD**  
Disconnect the igniter from the main wiring harness. Use the manual start-up procedure. A Pit Boss unit can operate using a 12 volt, 100 watt inverter plugged into your automobile outlet. To use the automatic igniter, it is recommended to use a minimum of a 1000 watt inverter.

**IMPORTANT: Disconnect unit from power source when not in use.**



# OPERATING INSTRUCTIONS

*With today's lifestyle of striving to eat healthy and nutritious foods, one factor to consider is the importance of reducing fat intake. One of the best ways to cut down on fat in your diet is to use a low fat method of cooking, such as grilling. As a pellet grill uses natural wood pellets, the savory wood flavor is cooked into the meats, reducing the need for high sugar content sauces. Throughout this manual, you will notice the emphasis on grilling food slowly at LOW or MEDIUM temperature settings.*

## GRILL ENVIRONMENT

### 1. WHERE TO SET-UP THE GRILL

With all outdoor appliances, outside weather conditions play a big part in the performance of your grill and the cooking time needed to perfect your meals. All Pit Boss units should keep a minimum clearance of 305mm (12 inches) from combustible constructions and this clearance must be maintained while the grill is operational. This appliance must not be placed under an overhead combustible ceiling or overhang. Keep your grill in an area clear from combustible materials, gasoline and other flammable vapors and liquids.

### 2. COLD WEATHER COOKING

As it becomes cooler outside, that does not mean that grilling season is over! The crisp cool air and heavenly aroma of smoked foods will help cure your winter blues.

Follow these suggestions on how to enjoy your grill throughout the cooler months:

- If smoking at low temperatures fails, increase the temperature slightly to achieve the same results.
- Organize – Get everything you require ready in the kitchen before you head outdoors. During the winter, move your grill to an area that is out of the wind and direct cold. Check local bylaws regarding the proximity of your grill in relation to your home and/or other structures. Put everything you need on a tray, bundle up tight, and get it done!
- To help keep track of the outside temperature, place an outdoor thermometer close to your cooking area. Keep a log or history of what you cooked, the outdoor temperature, and the cooking time. This will help later down the road to help you determine what to cook and how long it will take.
- In very cold weather, increase your preheating time by at least 20 minutes.
- Avoid lifting the lid any more than necessary. Cold gusts of wind can completely cool your grill temperature. Be flexible with your serving time; add extra cooking time each time you open the lid.
- Have a heated platter or a dish cover ready to keep your food warm while making the trip back inside.
- Ideal foods for winter cooking are those that require little attention, such as roasts, whole chickens, ribs, and turkey. Make your meal preparation even easier by adding simple items such as vegetables and potatoes.

### 3. HOT WEATHER COOKING

As it becomes warmer outdoors, the cooking time will decrease. Proper dress is important when it gets really hot: shorts, shirt, shoes, hat, apron and a generous slab of suntan lotion is recommended.

Follow these few suggestions on how to enjoy your grill throughout the hot months:

- Adjust your cooking temperatures downward. This helps to avoid unwanted flare-ups.
- Use a meat thermometer to determine the internal temperature of your foods. This helps in preventing your meat from over cooking and drying out.
- Even in hot weather it is still better to cook with the lid of your grill down.
- You can keep foods hot by wrapping them in foil, and placing them in an insulated cooler. Stuff crumpled up newspaper around the foil and this will keep food hot for 3 to 4 hours.



## GRILL TEMPERATURE RANGES

Temperature readouts on the control board may not exactly match the thermometer. All temperatures listed below are approximate and are affected by the following factors: outside ambient temperature, the amount and direction of wind, the quality of pellet fuel being used, the lid being opened, and the quantity of food being cooked.

- **HIGH TEMPERATURE (205-260°C / 401-500°F)**

This range is best used to sear and grill at a high heat. Use in tandem with the flame broiler (slide plate) for indirect or direct flame cooking. With the **flame broiler open**, direct flame is used to create those “blue” steaks, as well as flame-kissed vegetables, garlic toast or s’mores! When the **flame broiler is closed**, the air circulates around the barrel, resulting in convection heat. High temperature is also used to preheat your grill, burn-off the cooking grids, and to achieve high heat in extreme cold weather conditions.

- **MEDIUM TEMPERATURE (135-180°C / 275-356°F)**

This range is best for baking, roasting, and finishing off that slow smoked creation. Cooking at these temperatures will greatly reduce the chances of a grease flare-up. Ensure that the flame broiler slider is in the closed position, covering the slotted openings. Great range for cooking anything wrapped in bacon, or where you want versatility with control.

- **LOW TEMPERATURE (80-125°C / 176-257°F)**

This range is used to slow roast, increase smoky flavor, and to keep foods warm. Infuse more smoke flavor and keep your meats juicy by cooking longer at a lower temperature (also known as **low and slow**). Recommended for the big turkey at Thanksgiving, juicy ham at Easter, or the huge holiday feast.

Smoking is a variation on true barbecuing and is truly the main advantage of grilling on a wood pellet grill. **Hot smoking**, another name for **low and slow** cooking, is generally done between 80-125°C / 176-257°F. Hot smoking works best when longer cooking time is required, such as large cuts of meats, fish, or poultry.

## SMOKER TEMPERATURE RANGES

- **HIGH TEMPERATURE (190-215°C / 375-420°F)**

This range is used to grill at high heat, without any contact with flame. High temperature is also used as the burn-off temperature to clean off the cooking grids after use. Additionally, high heat can be used in extreme cold weather conditions to compensate for the contrast of temperatures between outside and inside the unit.

- **MEDIUM TEMPERATURE (135-177°C / 275-350°F)**

This range is best for baking, roasting, and finishing off that slow smoked creation. Cooking at these temperatures will greatly reduce the chances of a grease flare-up. Great range for cooking anything wrapped in bacon, or where you want versatility with control.

- **LOW TEMPERATURE (65-122°C / 150-250°F)**

This range is used to slow roast, increase smoky flavor, and to keep foods warm. Infuse more smoke flavor and keep your meats juicy by cooking longer at a lower temperature (also known as **low and slow**). Highly recommended for the big turkey at Thanksgiving, juicy ham at Easter, or the huge holiday feast.

Smoking is a variation on true barbecuing and is truly the main advantage of a smoker. There are two types of smoking: hot smoking and cold smoking.

- **Hot smoking**, another name for **low and slow** cooking, is generally done at 82-122°C / 180-250°F. Hot smoking works best when longer cooking time is required, such as large cuts of meats, fish, or poultry.
- **Cold smoking** is when the food is located so far away from the fire that it smokes without cooking, and at temperatures of 15-32°C / 60-90°F.


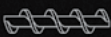



**TIP: To intensify that savory flavor, switch to SMOKE (low) temperature range immediately after putting your food on the smoker. This allows the smoke to penetrate the meats, before the pores of the meat close at 49°C / 120°F.**

The key is to experiment with the length of time you allow for smoking, before the meal is finished cooking. Some outdoor chefs prefer to smoke at the end of a cook, allowing the food to keep warm until ready to serve. Practice makes perfect!

## UNDERSTANDING THE CONTROL BOARD



CONTROL	DESCRIPTION
	The button will light up (white) when connected to a power source. Press this button to <b>Power</b> on the unit. Press and hold this button for a minimum of 2 sec to power off / power down the unit.
 350°F ACT SET 350°C ACT SET	The <b>Temperature Control Dial</b> allows you to set your desired grill temperature. Once connected to a power source and the Power Button is pressed.  Press and turn the dial ( <i>When "SET" selected as shown in the picture 2</i> ) in order to select from any of the thirteen preset temperatures, between 65-260°C / 150-500°F. Press the knob again to lock your preset temp and get back to <b>Actual Grill Temperature</b> ( <i>As shown in picture 3</i> ). Any time during the cooking process if you want to check your preset temp just press the knob.
°F / °C	The <b>Temperature unit switch</b> button to change the temperature readout on the LCD Screen. Press the button to switch between units of temperature Celsius (°C) or Fahrenheit (°F), as preferred. Default is set to Fahrenheit.
	The bulb button allows you to switch the light on and off inside the grill ( <i>In the cooking area</i> ).
	<b>Smoke it®</b> icon shows the connection between your grill and your phone via Bluetooth® as a result you can get live updates about the actual temperature of the grill and the meat probe temperatures. It also allows you to set temperature of your grill. <small>The Bluetooth® word mark and logo are registered trademarks owned by Bluetooth SIG, Inc. and any use of such marks by Espressif is under license. Other trademarks and trade names are those of their respective owners.</small>
 GRILL 350°F 350°C	The <b>LCD Screen</b> is used as the information center for your unit. The LCD screen will display your Desired Cook Temperature, Actual Cook Temperature, and Meat Probe Temperatures ( <i>if connected</i> ). If only one Meat Probe is connected, only one reading will be displayed. The visual display of your set temp in the form of flame icon. It also displays the unit of temperature, that is °F/°C.
PRIME	Press and hold the <b>Prime Button</b> to activate an extra feed of pellets to the fire pot. This can be used to add more fuel to the fire before opening the grill lid, resulting in a quick heat recovery time. It can also be used while smoking, to increase the intensity of clean smoke flavor. Requested from competition cookers.
ACT	" <b>ACT</b> " displays the actual temperature of your grill at that moment of time. Press the dial once to switch between "SET" and "ACT". By default, LCD screen displays "ACT".
SET	" <b>SET</b> " displays one of the 13 preset temperature values of the grill. Press the dial once to switch between "ACT" and "SET".

	The <b>Flame</b> icon visually displays the set temperature, the intensity of the flame icon changes as you change from 250°F, 350°F and 450°F indicating different temperature ranges.
	The <b>Auger</b> icon displays the switching on of your auger motor. Sometimes this symbol blinks and the LCD screen displays Err showing that the auger is not working.
	The <b>Igniter</b> icon displays ignition of your pellets. If this symbol is blinking and the LCD screen displays Err, then it means that your igniter is not working.
	The <b>Fan</b> icon displays the switching on of the fan. If this symbol is blinking and the LCD screen displays Err, then it means that your fan is not working.
NO PELLETS	This icon is activated when you are out of pellets.
	The plug-in connection port(s) behind the hopper lid are for <b>Meat Probe(s)</b> . When a meat probe is connected, the temperature is displayed on the LCD Screen. When not in use, disconnect the meat probe from the connection port. There are four (4) meat probe ports. <i>Compatible with Pit Boss® branded meat probes only. Additional meat probe(s) sold separately.</i>



## CONNECTING TO THE SMOKE IT® APP

Follow these instructions on how to connect your grill to the Smoke iT® app with your Android™ or iOS® device. The app will allow you to control and monitor your grill and meat probe temperatures from your mobile device. Enjoy the benefits that Smoke IT® mobile connectivity has to offer!

1. Download the Smoke iT® app. Open the app and allow Bluetooth® to be enabled for setup. New users will need to create an account and follow the prompts to login.
2. If you are within Bluetooth® range (9 m / 30 ft), the Smoke iT® app will automatically detect your grill. Select your grill model. If you do not see your grill on the screen, ensure your unit is connected to a power source and is turned on.
3. Name your grill model (ie. My Smoker) in the app and select "Connect" at the bottom of the screen. This will save your grill model in the devices menu.
4. From the devices menu, click the grill model to connect. This will show you the control board screen.
5. Click the settings option (gear) in the top-right corner, enter your Wi-Fi credentials, then click the check mark at the bottom of the screen to connect. Now both Bluetooth and Wi-Fi (cloud) icons will show on the devices menu, showing that the grill is connected.

**While using the app, the screen will shine bright when the grill is active and connected. If the app screen or grill goes dark on the devices menu, check your wireless connection or power source.**

## UNDERSTANDING THE PROBES

### • TEMPERATURE PROBE

Located inside the pellet side of the grill, on the left side wall. It is a small, vertical piece of stainless steel. The temperature probe measures the internal temperature of the grill. The temperature that we get from this probe is displayed as ACT on the LCD screen.

**IMPORTANT: The temperature of your unit is highly affected by ambient outdoor weather, quality of pellets used, flavor of pellets, and the quantity of food being cooked.**

### • MEAT PROBE

The meat probe measures the internal temperature of your meat in the grill, similar to your indoor oven. Plug-in the meat probe adapter to the meat probe connection port on the Control Board and insert the stainless-steel meat probe into the thickest portion of your meat and the temperature will be displayed on the control board. The temperatures that we received from this probe is displayed as Probe (#). **To ensure the meat probe is connected properly to the connection port, feel and hear it snap into place.**

**NOTE: When placing the meat probe into your meat, ensure the meat probe and meat probe wires avoid direct contact with flame or excess heat. This can result in damage to your meat probe. Run the excess wire out the hole located on the left side of the main grill or the top of the main grill (near the grill lid hinge). When not in use, disconnect from the meat probe connection port and place aside to keep protected and clean.**

## HOPPER PRIMING PROCEDURE

These instructions should be followed the first time the grill is ignited, and each time the grill runs out of pellets in the hopper. The auger must be primed to allow pellets to travel through the length of the auger, and fill the fire pot. **If not primed, the igniter will timeout before the pellets are ignited, and no fire will start.** Follow these steps to prime the hopper:

1. Open the hopper lid. Make sure there are no foreign objects in the hopper or blocking the auger feed system at the bottom.
2. Remove all cooking components from the interior of the grill. Locate the fire pot in the bottom of the pellet grill.
3. Plug the power cord into a power source. Press the **Power Button** to turn the unit on, and turn the **Temperature Control Dial** to the SMOKE position. Check the following items:
  - That you can hear the auger turning. Place your hand above the fire pot and feel for air movement. Do not place your hand or fingers inside the fire pot. This can cause injury.
  - After approximately a minute, you should smell the igniter burning and begin to feel the air getting warmer in the fire pot. The igniter tip does not glow red, but gets extremely hot and will burn. Do not touch the igniter.
4. Once verified that all electric components are working correctly, press and hold the **Power Button** for 2 seconds to turn the unit off.
5. Fill the hopper with all natural barbecue wood pellets.
6. Press the **Power Button** to turn the unit on. Keep the **Temperature Control Dial** in the SMOKE position. Press and hold the **Prime Button** until you see pellets on the inside of the grill from the auger tube. Once pellets begin to drop into the fire pot, release the **Prime Button**.
7. Press and hold the **Power Button** for 2 seconds to turn the unit off.

Re-install the cooking components into the main barrel. The grill is now ready to use.

## FIRST USE – GRILL BURN-OFF

Once your hopper has been primed and before cooking on your grill for the first time, it is important to complete a grill burn-off. Start the grill and operate at any temperature over 176°C / 350°F (with the lid down) for 30 to 40 minutes to burn-off the grill and rid it of any foreign matter.

**NOTE: During the Startup cycle, make sure the Flame Broiler Slider Knobs are pushed inward and the vents are closed. This will allow you to reach a higher temperature in the main barrel section.**

## AUTOMATIC START-UP PROCEDURE

1. Plug the power cord into a grounded power source. Open the main barrel lid. Check the fire pot to ensure there is no obstruction for proper ignition. Open the hopper lid. Ensure there are no foreign objects in the hopper or auger feed system. Fill the hopper with dry, all natural barbecue hardwood pellets.
2. Ensure the **Temperature Control Dial** is in the SMOKE position. Press the **Power Button** to turn the unit on. This will activate the start-up cycle. The auger feed system will begin to turn, the igniter will begin to glow and the fan will supply air to the fire pot. The grill will begin to produce smoke while the start-up cycle is taking place. The barrel lid must remain open during the start-up cycle. To confirm the start-up cycle has begun properly, listen for a torchy roar, and notice some heat being produced.
3. Once the heavy, white smoke has dissipated, the start-up cycle is complete and you are ready to enjoy your grill at your desired temperature!

## IGNITER FAILURE PROCEDURE

If for any reason your electric igniter fails or your grill's flame dies out during a cook, check the following steps, or start your grill using the manual method.

1. Press and hold the power button for 3 secs and switch off the grill. Open the grill and let it cool down for few minutes. Remove the cooking components from inside and all unburnt pellets and ash from the fire pot. Be careful as the pellets may be too hot even when grill is cool down. Avoid touching the igniter to avoid injury, as it may be extremely hot.
2. Once all cooking components are removed and cleaned, press the **Power Button** to turn the unit on. Set the temperature knob to **Smoke**. Check the following:
  - Visually confirm that the igniter is working by placing your hand above the fire pot and feeling for heat.
  - Visually confirm that the igniter is protruding approximately 13mm / 0.5 inches in the fire pot.
  - Visually confirm that the auger is dropping pellets into the fire pot.
  - Confirm that the combustion fan is working by listening for a torchy roar.
3. If any of the above points are not working, follow **Troubleshooting** instructions.

## MANUAL START-UP PROCEDURE

1. Ensure the **Temperature Control Dial** is in the **SMOKE** position. Plug the power cord into a grounded power source.
2. Check fire pot to ensure there is no obstruction for proper ignition. Open the hopper lid. Ensure there are no foreign objects in the hopper or auger feed system. Fill hopper with dry, all natural hardwood barbecue pellets.
3. Open the barrel lid. Remove the cooking components to expose the fire pot. Place a generous handful of pellets into the fire pot. Squirt a gelled fire starter, or other appropriate pellet starter, over the top of the pellets. A small amount of solid fuel fire starter, such as one composed of sawdust and wax, or wood shavings, is also appropriate. Add another small amount of pellets in the fire pot.

**NOTE: Do not use spirit, petrol, gasoline, lighter-fluid or kerosene for lighting or refreshing a fire in your grill.**

4. Light the contents of the fire pot using a long match or long-nosed lighter. Allow the starter to burn for 3 to 5 minutes. Do not attempt to add more starter into the fire pot. This can cause injury.
5. Quickly and carefully replace the cooking components to the inside of the main barrel. Continue start-up at step two of **Automatic Start-Up Procedure**.

## SHUTTING OFF YOUR GRILL

1. When finished cooking, with the main barrel lid remaining closed, press the **Power Button** to turn the unit OFF. This will activate the automatic **cool-down cycle**. The feed system will stop feeding fuel, the flame will burn out, and the fan will continue to run until the cool down cycle is complete. When the cycle is complete, the fan will turn off.

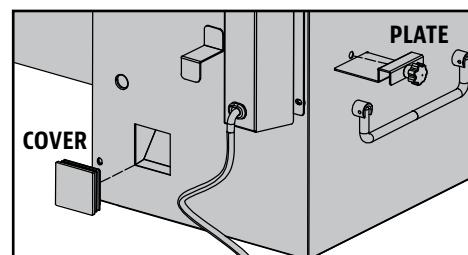
# CARE AND MAINTENANCE

Any Pit Boss unit will give you many years of flavorful service with minimum cleaning. Follow these cleaning and maintenance tips to service your grill:

## 1. HOPPER ASSEMBLY

- The hopper includes a clean-out feature to allow for ease of cleaning and change out of pellet fuel flavors. To empty, locate the plate and the cover of the drop chute on the left side of the hopper. Place a clean, empty pail under the drop chute cover, then remove the cover piece. Unscrew the plate, slide outwards, and pellets will empty.

**NOTE: Use a long handled brush or shop-vac to remove excess pellets, sawdust, and debris for a complete clean-out through the hopper screen.**



- Running all pellets out of your auger system is recommended if your grill will be unused for an extended period of time. This can be done by simply running your grill, on an empty hopper, until all pellets have emptied from the auger tube.
- Check and clean off any debris from the fan air intake vent, found on the bottom of the hopper. Once the hopper access panel is removed (see *Electric Wire Diagram* for diagram), carefully wipe off any grease build-up directly on the fan blades. This ensures airflow is sufficient to the feed system.

## 2. PROBES

- Kinks or folds in the probe wires may cause damage. A meat probe not in use should be rolled up in a large, loose coil.
- Although both the temperature probe and the meat probes are stainless steel, do not place in the dishwasher or submerge in water. Water damage to the internal wires will cause a probe to short-out, causing false readings. If a probe is damaged, it should be replaced.

## 3. INSIDE SURFACES

- It is recommended to clean your fire pot after every few uses. This will ensure proper ignition and avoid any hard build-up of debris or ash in the fire pot.
- Use a long-handled grill cleaning brush, remove any food or build-up from the cooking grids. Best practice is to do this while they are still warm from a previous cook. Grease fires are caused by too much fallen debris on the cooking components of the grill. Clean the inside of your grill on a consistent basis. In the event you experience a grease fire, keep the grill lid closed to choke out the fire. If the fire does not go out quickly, carefully remove the food, turn the grill off, and shut the lid until the fire is completely out. Lightly sprinkle baking soda, if available.
- Check your grease bucket often, and clean out as necessary. Keep in mind the type of cooking you do.

**IMPORTANT: Due to high heat, do not cover the flame broiler or probes with aluminum foil.**

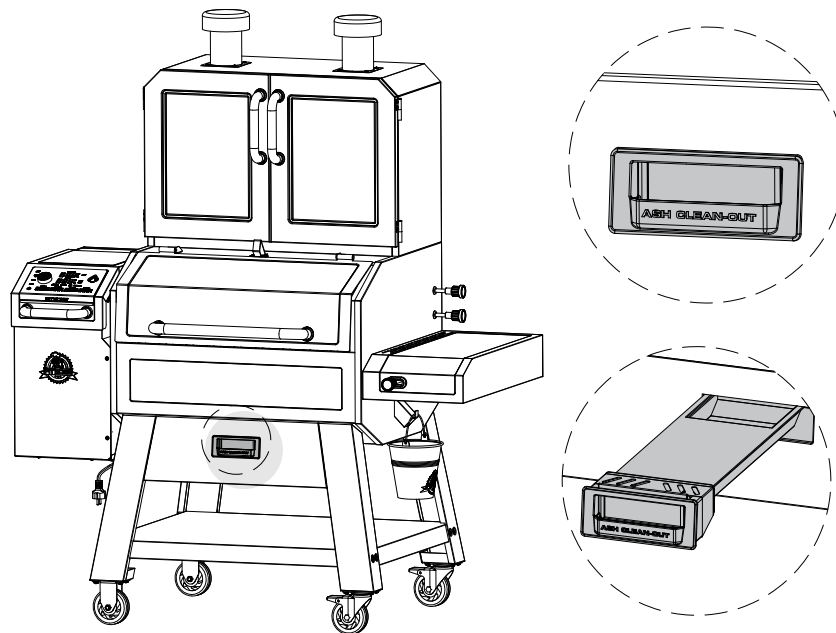
## 4. OUTSIDE SURFACES

- Wipe your grill down after each use. Use warm soapy water to cut the grease. Do not use oven cleaner, abrasive cleansers or abrasive cleaning pads on the outside grill surfaces. **All painted surfaces are not covered under warranty**, but rather are part of general maintenance and upkeep. For paint scratches, wearing, or flaking of the finish, all painted surfaces can be touched up using high heat BBQ paint.
- Use a grill cover to protect your grill for complete protection! A cover is your best protection against weather and outside pollutants. When not in use or for longterm storage, keep the unit under a cover in a garage or shed.

## 5. HOW TO CLEAN PELLET BURNER ASHES

- Press down the Ash Tray Locker. Pull out the Ash Tray.
- After the ashes are cleared, push the ash tray into the slot until it cannot be pushed.

**NOTE: This should be done after grill cools.**



**CLEANING FREQUENCY TIME TABLE (NORMAL USE)**

ITEM	CLEANING FREQUENCY	CLEANING METHOD
Bottom of Main Grill	Every 5-6 Grill Sessions	Scoop Out, Shop-Vac Excess Debris
Fire pot	Every 2-3 Grill Sessions	Scoop Out, Shop-Vac Excess Debris
Cooking Grids	After Each Grill Session	Burn Off Excess, Brass Wire Brush
Flame Broiler	Every 5-6 Grill Sessions	Scrape Main Plate with Slider, <b>Do Not Wash Clean</b>
Grease Bucket	After Each Grill Session	Scrub Pad & Soapy Water
Auger Feed System	When Pellet Bag is Empty	Allow Auger to Push Out Sawdust, Leaving Hopper Empty
Hopper Electric Components	Once A Year	Dust Out Interior, Wipe Fan Blades with Soapy Water
Air Intake Vent	Every 5-6 Grill Sessions	Dust, Scrub Pad & Soapy Water
Temperature Probe	Every 2-3 Grill Sessions	Scrub Pad & Soapy Water

**USING WOOD PELLET FUEL**

Clean-burning barbecue wood pellets generate about 8200 BTU's per pound with very little ash, a low moisture content (5-7%), and are carbon neutral. Barbecue wood pellets are produced by pure raw material (sawdust) being pulverized with a hammer-mill, and the material is pushed through a die with pressure. As the pellet is forced through the die, it is cut, cooled, screened, vacuumed, and then bagged for consumer use. Check with your local dealer for flavors available in your area.



**HICKORY BLEND**



**MESQUITE BLEND**



**APPLE BLEND**



**CHARCOAL BLEND**



**CLASSIC BLEND**



**FRUITWOOD BLEND**



**COMPETITION BLEND**

**NOTE:** Always store wood pellets in a dry area. Any contact or exposure to moisture will result in lower heat output or cause the pellets to swell and break apart. Use a moisture proof, resealable tub or bucket for proper storage.

# COOKING GUIDELINES

Smoking and grilling styles of cooking can give you different results based on time and temperature. For best results, keep a record of what you cooked, at what temperature, how long you cooked for, and the results. Adjust to your taste for the next time. Practice makes perfect.

The culinary art of hot smoking refers to longer cooking times, but results in more natural wood flavor (and a sought-after **smoke ring**) on your meats. Higher cooking temperatures result in a shorter cooking time, locking in less smoke flavor.

**TIP: For best results, allow time for meats to rest after cooking. This allows the natural juices to migrate back into the meat fiber, giving a much juicier, flavorful cut. Resting times can be as little as 3 minutes and up to 60 minutes, depending on the size of the protein.**

STYLE OF COOKING	HOT SMOKING (Very Low)	ROAST (Low)	BAKING (Medium)	GRILL/BAKE (Medium/High)	SEAR (High)
Temp Range	93-135°C / 199-275°F	135-162°C / 275-323°F	162-190°C / 323-374°F	190-232°C / 374-449°F	232-260°C / 449-500°F

POULTRY	Size	Rare - 54°C / 130°F	Medium - 60°C / 140°F	Well Done - 77°C / 170°F
Turkey ( <i>whole</i> )	4.5-5.0 kg / 10-11 lbs. 5.3-6.4 kg / 12-14 lbs. 6.8-7.7 kg / 15-17 lbs. 8.2-10.0 kg / 18-22 lbs. 10.4-11.3 kg / 23-25 lbs.			Grill 90 - 120 minutes Grill 110 - 140 minutes Grill 130 - 160 minutes Grill 140 - 170 minutes Grill 150 - 180 minutes
Chicken ( <i>whole</i> )	1.36-2.26 kg / 3-5 lbs.			Grill 1 - 1.5 hours
Drumsticks, Breasts	0.45 - 0.86 kg / 1 - 1½ lbs.			Grill 30-60 minutes
Small Game Birds	0.45 - 0.86 kg / 1 - 1½ lbs.			Grill 30-45 minutes
Duck	1.36-2.26 kg / 3-5 lbs.			Roast or grill 2 - 2.5 hours

PORK	SIZE	Precooked to Reheat 60°C / 140°F	Medium 66°C / 150°F	Well Done 71°C / 160°F
Ham ( <i>Fully Cooked &amp; Boneless Portion, Smoked Picnic Whole &amp; Bone-In</i> )	2.5 cm / 1" 1.36-1.81 kg / 3-4 lbs. 1.81-2.72 kg / 4-6 lbs. 2.26-3.62 kg / 5-8 lbs. 4.53-5.44 kg / 10-12 lbs.	12 minutes 50 minutes - 1 hour 1 - 2 hours 1 - 2½ hours 2 - 2¾ hours		
Loin Roast	1.36-1.81 kg / 3 - 4 lbs.		1 - 2 hours	2 - 3 hours
Rib Crown Roast	1.81-2.26 kg / 4 - 5 lbs.		1½ - 2 hours	2 - 3 hours
Chop ( <i>loin, rib</i> )	1.9-2.5 cm / ¾" - 1" 3.1-3.9 cm / 1¼" - 1½"		10 - 12 minutes 14 - 18 minutes	
Tenderloin	1.9-2.5 cm / ¾" - 1"		20 - 30 minutes	30 - 45 minutes
Loin Roast ( <i>boneless</i> )	1.36-2.26 kg / 3-5 lbs.		1¼ - 1¾ hours	1¾ - 2½ hours
Boston Butt ( <i>Pork Shoulder</i> )	3.62-4.53 kg / 8-10 lbs.			93 - 98°C / 200 - 210°F Internal Temperature



<b>BEEF</b>	<b>SIZE</b>	<b>HEAT</b>	<b>Rare - 54°C / 130°F</b>	<b>Medium - 60°C / 140°F</b>	<b>Well Done - 65°C / 150°F</b>
<b>Steak</b> ( <i>New York, Porter-house, Rib-eye, Sirloin, T-bone, or Tenderloin</i> )	1.9 cm / ¾" 2.5 cm / 1" 3.8 cm / 1½" 5 cm / 2"	High	Sear 8-10 minutes Sear 10-12 minutes Sear 10 minutes, grill 8-10 minutes Sear 10 minutes, grill 10-14 minutes		
<b>Skirt Steak</b>	0.6 - 12.7 cm / ¼" - ½"	High	Sear 5-7 minutes		
<b>Flank Steak</b>	0.45 - 0.86 kg / 1 - 1½ lbs., 1.9 cm / ¾"	Medium	Sear 4 minutes, grill 8-10 minutes		
<b>Kabob</b>	2.5 - 3.8 cm / 1-1½" cubes	Medium	Grill 10 - 12 minutes		
<b>Tenderloin, whole</b>	1.58 - 1.81 kg / 3½ - 4 lbs.	High/Medium	Sear 10 minutes, grill 15-20 minutes		
<b>Ground Beef Patty</b>	1.9 cm / ¾"	High/Medium	Sear 4 minutes, grill 4-6 minutes		
<b>Rib-eye Roast (boneless)</b>	2.26 - 2.72 kg / 5 - 6 lbs.	Medium	Grill 1½ - 2 hours		
<b>Tri-tip Roast</b>	0.9 - 1.13 kg / 2 - 2½ lbs.	High/Medium	Sear 10 minutes, grill 20-30 minutes		
<b>Rib Roast</b>	5.44 - 6.35 kg / 12 - 14 lbs.	Medium	2½ - 2¾ hours		
<b>Veal Loin Chop</b>	2.5cm / 1"	Medium	10 - 12 minutes direct		
<b>Brisket</b>	7.25 - 3.62 kg / 16 -18 lbs.	Hot Smoke	Cook until internal temperature reaches 91°C / 195°F		

<b>LAMB</b>	<b>Size</b>	<b>Rare - 54°C / 130°F</b>	<b>Medium - 60°C / 140°F</b>	<b>Well Done - 71°C / 160°F</b>
<b>Roast (fresh)</b>	2.26 - 2.72 kg / 5 - 6 lbs.		1 - 2 hours	
<b>Rib Crown Roast</b>	1.36-2.26 kg / 3-5 lbs.		1 - 1½ hours	1½ hours

<b>SEAFOOD</b>	<b>Size</b>	<b>Rare - 54°C / 130°F</b>	<b>Medium - 60°C / 140°F</b>	<b>Well Done - 82°C / 180°F</b>
<b>Fish (whole)</b>	0.5 kg / 1 lb. 0.9 - 1.1 kg / 2 - 2½ lbs. 1.4 kg / 3 lbs.			Grill 10 - 20 minutes Grill 20 - 30 minutes Grill 30 - 45 minutes
<b>Fish (filets)</b>	0.6-1.3 cm / ¼" - ½"			Grill 3 - 5 minutes, until flaky
<b>Lobster Tail</b>	0.15 kg / 5 oz. 0.3 kg / 10 oz.			Grill 5 - 6 minutes Grill 10 - 12 minutes

<b>WILD GAME</b>	<b>Size</b>	<b>Rare - 60°C / 140°F</b>	<b>Medium - 71°C / 160°F</b>	<b>Well Done - 77°C / 170°F</b>
<b>Roast (fresh)</b>	2.26 - 2.72 kg / 5 - 6 lbs.		1 - 1½ hours	1½ - 2 hours
<b>Large Cuts (fresh)</b>	3.62-4.53 kg / 8-10 lbs.		1 hours	1½ hours

# TIPS & TECHNIQUES

Follow these helpful tips and techniques, passed on from Pit Boss owners, our staff, and customers just like you, to become more familiar with your grill:

## 1. *FOOD SAFETY*

- Keep everything in the kitchen and cooking area clean. Use different platters and utensils for the cooked meat than the ones you used to prepare or transport the raw meat out to the grill. This will prevent cross contamination of bacteria. Each marinade or basting sauce should have its own utensil.
- Keep hot foods hot (above 60°C / 140°F), and keep cold foods cold (below 3°C / 37°F).
- A marinade should never be saved to use at a later time. If you are going to use it to serve with your meat, be sure to bring it to a boil before serving.
- Cooked foods should not be left out in the heat for more than an hour. Do not leave hot foods out of refrigeration for more than two hours.
- Defrost and marinate meats by refrigeration. Do not thaw meat at room temperature or on a counter top. Bacteria can grow and multiply rapidly in warm, moist foods. Wash hands thoroughly with hot, soapy water before starting any meal preparation and after handling fresh meat, fish and poultry.

## 2. *COOKING PREPARATION*

- Be prepared, or ***Mise en Place***. This refers to preparing the cooking recipe, fuel, accessories, utensils, and all ingredients you require at grill side before you start cooking. Also, read the entire recipe, start to finish, before lighting the grill.
- A BBQ floor mat is very useful. Due to food handling accidents and cooking spatter, a BBQ floor mat would protect a deck, patio, or stone platform from the possibility of grease stains or accidental spills.

## 3. *GRILLING TIPS AND TECHNIQUES*

- To infuse more smoke flavor into your meats, cook longer and at lower temperatures (also known as ***low and slow***). Meat will close its fibers after it reaches an internal temperature of 49°C / 120°F. Misting, or mopping, are great ways to keep meat from drying out.
- While searing your meats, cook with the lid down. Always use a meat thermometer to determine the internal temperature of the foods you are cooking. Smoking foods with hardwood pellets will turn meats and poultry pink. The band of pink (after cooking) is referred to as a ***smoke ring*** and is highly prized by outdoor chefs.
- Sugar-based sauces are best applied near the end of cooking to prevent burning and flare-ups.
- Leave open space between the foods and the extremities of the barrel for proper heat flow. Food on a crowded grill will require more cooking time.
- Use a set of long-handled tongs for turning meats, and a spatula for turning burgers and fish. Using a piercing utensil, such as a fork, will prick the meat and allow the juices to escape.
- Foods in deep casserole dishes will require more time to cook than a shallow baking pan.
- It's a good idea to put cooked food onto a heated platter, keeping the food warm. Red meats, such as steak and roasts, benefit from resting for several minutes before serving. It allows the juices that were driven to the surface by heat to ease back to the center of the meat, adding more flavor.

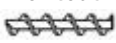
# TROUBLESHOOTING



Proper cleaning, maintenance and the use of clean, dry, quality fuel will prevent common operational problems. When your Pit Boss grill is operating poorly, or on a less frequent basis, the following troubleshooting tips may be helpful.

For FAQ, please visit [www.pitboss-grills.com](http://www.pitboss-grills.com). You may also contact your local Pit Boss authorized dealer or contact Customer Service for assistance.

ENGLISH

**WARNING: Always disconnect the electrical cord prior to opening the grill for any inspection, cleaning maintenance or service work. Ensure the grill is completely cooled to avoid injury.**

PROBLEM	CAUSE	SOLUTION
No Power Lights On The Control Board	Temperature Control Dial is still off.	Press the Power Button, and ensure the button glows blue to show there is a power connection. Turn the Temperature Control Dial to a temperature setting.
	Not Connected To Power Source	Ensure unit is plugged into a working power source. Reset breaker. Ensure GFCI is a minimum 10 Amp service (see <b>Electric Wire Diagram</b> for access to electric components) Ensure all wire connections are firmly connected and dry.
	Fuse Blown On The Control Board	Disconnect the grill from power source and lift the hopper lid and remove the panel behind the lid. Carefully pull the wires of the controller towards yourself, so that you can have comfortable access to the board. Check the fuse for a broken wire or if the wire has turned black. If yes, fuse needs to be manually replaced.
	The GFCI outlet has been tripped.	Disconnect the grill from power source and remove hopper access panel (see <b>Electric Wire Diagram</b> for diagram) and ensure all wire connections are firmly connected and dry. Ensure GFCI is a minimum 10 Amp service.
	Faulty Control Board	Control Board needs to be replaced. Contact Customer Service for a replacement part.
Pellets in Fire pot Will Not Light	Auger Not Primed	Before the unit is used for the first time or anytime the hopper is completely emptied out, the auger must be primed to allow pellets to fill the auger tube. If not primed, the igniter will timeout before the pellets reach the fire pot. Follow <b>Hopper Priming Procedure</b> .
	Auger Motor Is Jammed	Turn the unit off by pressing and holding the power button for 2 sec. Remove cooking components from the pellet grill. Press the Power Button to turn the unit on, turn Temperature Control Dial to SMOKE, and inspect the auger feed system. Visually confirm that the auger is dropping pellets into the fire pot. If not operating properly, call Customer Service for assistance or a replacement part.
	Igniter Failure	Turn the unit off by pressing and holding the power button for 2 sec. Remove cooking components from the pellet grill. Press the Power Button to turn the unit on, turn Temperature Control Dial to SMOKE, and inspect the igniter. Visually confirm that the igniter is working by placing your hand above the fire pot and feeling for heat. Visually confirm that the igniter is protruding approximately 8mm(max)/0.3 inches(max) in the fire pot. If not operating properly, follow <b>Manual Start-up Procedure</b> to continue use of grill; however, call Customer Service for assistance or a replacement part.
"ErH" Error Code	The Unit Has Overheated, Possibly Due To Grease Fire Or Excess Fuel.	Press and hold the Power Button for 2 secs to turn the unit off and allow grill to cool. Follow <b>Care and Maintenance</b> instructions. After maintenance, remove the ashes and unburnt pellets from burn pot and bottom of the grill and confirm positioning of all component parts. Once cooled, press the Power Button to turn the unit on, then select desired temperature. If error code still displayed, contact Customer Service.
"ErL" Error Code	The Unit Is Having Very Low Temperature	Press and hold the Power Button for 2 secs to turn the unit off. Follow <b>Care and Maintenance</b> instructions. After maintenance, remove the ashes and unburnt pellets from burn pot and bottom of the grill and confirm positioning of all component parts. Press the Power Button to turn the unit on, then select desired temperature. If error code still displayed, contact Customer Service.
"Err" Error Code With  (AUGER) Icon Flashing	Auger Not Primed	Before the unit is used for the first time or anytime the hopper is completely emptied out, the auger must be primed to allow pellets to fill the burn pot. If not primed, the igniter will timeout before the pellets ignite. Follow <b>Hopper Priming Procedure</b> .

	Auger Motor Is Jammed	Remove cooking components from the main barrel. Press the Power Button to turn the unit on, turn Temperature Control Dial to SMOKE, and inspect the auger feed system. Visually confirm that the auger is dropping pellets into the burn pot. If not operating properly, call Customer Service for assistance or a replacement part.
"Err" Error Code With  (IGNITER) Icon Flashing	Igniter Not Working Properly	Remove cooking components from the main barrel. Press the Power Button to turn the unit on and inspect the igniter. Visually confirm that the igniter is working by placing your hand above the burn grate and feeling for heat. Visually confirm that the igniter is aligned with the hole in the burn grate, and open to light the pellets. If not operating properly, follow <b>Manual Start-up Procedure</b> to continue use of grill; however, call Customer Service for assistance or a replacement part.
	Igniter Failure	Igniter needs to be replaced. Contact Customer Service for replacement part.
"Err" Error Code With  (FAN) Icon Flashing	Insufficient Air Intake For Fan	Check fan. Ensure it is working properly and air intake is not blocked. Follow <b>Care and Maintenance</b> instructions if dirty.
	Fan Not Working Properly or Failure	Fan needs to be replaced. Contact Customer Service for replacement part.
"Err" Error Code With Showing "No Pellets" Icon	Lack Of Fuel, Poor Fuel Quality, Obstruction In Feed System, Jammed Auger	Press and hold the Power button for 2 seconds to shut down then reconnect. Check hopper to check that fuel level is sufficient and replenish if low. Should the quality of wood pellets be poor, or the length of the pellets too long, this may cause an obstruction in the feed system. Remove pellets and follow <b>Care and Maintenance</b> instructions.
"ErP" Error Code	Unit Not Turned Off Properly When Last Connected To Power.	Safety feature prevents an automatic restart. Press the Power Button to turn the unit off, wait two minutes, then press the Power Button to turn the unit on again. Turn Temperature Control Dial to SMOKE or desired temperature. If error code still displayed, contact Customer Service.
	Power Outage While Unit In Operation.	
"noP" Error Code	Bad Connection At Connection Port	Disconnect meat probe from connection port on the Control Board, press and hold the Power button for 2 seconds to shut down then reconnect. Ensure the meat probe adapter is firmly connected. Check for signs of damage to the adapter end. If still failed, call Customer Service for replacement part.
	Meat Probe Damaged	Check for signs of damage to the wires of the meat probe. If damaged, call Customer Service for replacement part.
	Faulty Control Board	Control Board needs to be replaced. Contact Customer Service for a replacement part.
Grill Will Not Achieve Or Maintain Stable Temperature	Insufficient Air Flow Through Fire Pot	Check fire pot for ash build-up or obstructions. Follow <b>Care and Maintenance</b> instructions for ash build-up. Check fan. Ensure it is working properly and air intake is not blocked. Follow <b>Care and Maintenance</b> instructions if dirty. Check auger motor to confirm operation, and ensure there is no blockage in the auger tube. Once all the above steps have been done, start the grill, set temperature to SMOKE and wait for 10 minutes. Check that the flame produced is bright and vibrant.
	Lack Of Fuel, Poor Fuel Quality, Obstruction In Feed System	Check hopper to check that fuel level is sufficient, and replenish if low. Should the quality of wood pellets be poor, or the length of the pellets too long, this may cause an obstruction in the feed system. Remove pellets and follow <b>Care and Maintenance</b> instructions.
	Temperature Probe	Check status of temperature probe. Follow <b>Care and Maintenance</b> instructions if dirty. Contact Customer Service for a replacement part if damaged.
Grill Produces Excess Or Discolored Smoke	Grease Build-Up	Follow <b>Care and Maintenance</b> instructions.
	Wood Pellet Quality	Remove moist wood pellets from hopper. Follow <b>Care and Maintenance</b> instructions to clean out. Replace with dry wood pellets.
	Fire pot Is Blocked	Clear fire pot for moist wood pellets. Follow <b>Hopper Priming Procedure</b> .
	Insufficient Air Intake For Fan	Check fan. Ensure it is working properly and air intake is not blocked. Follow <b>Care and Maintenance</b> instructions if dirty.
Frequent Flare-Ups	Cooking Temperature	Attempt cooking at a lower temperature. Grease does have a flash point. Keep the temperature under 176°C / 350°F when cooking highly greasy food.
	Grease Build-Up On Cooking Components	Follow <b>Care and Maintenance</b> instructions.

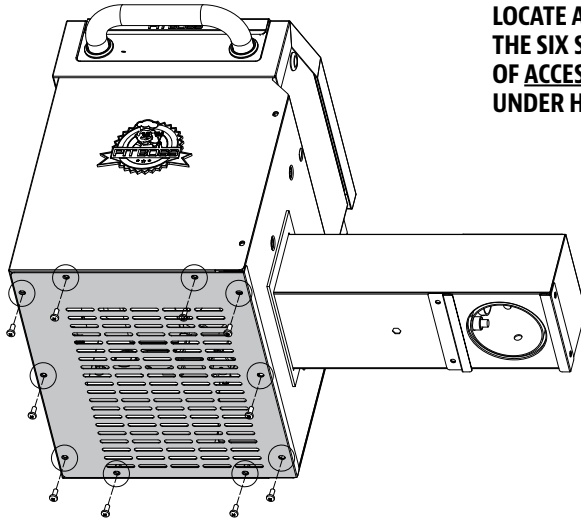
# ELECTRICAL WIRE DIAGRAM

The Digital Control Board system is an intricate and valuable piece of technology. For protection from power surges and electrical shorts, consult the wire diagram below to ensure your power source is sufficient for the operation of the unit.

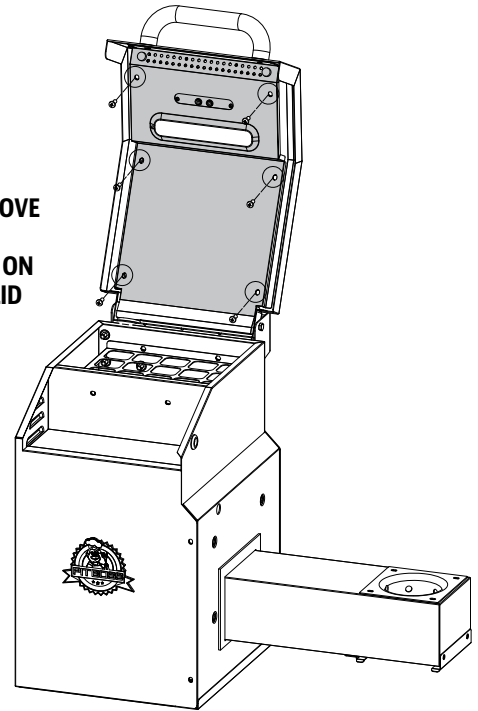
## PB – ELECTRIC REQUIREMENTS 110-120V, 60HZ, 300W, 3-PRONG GROUNDED PLUG

NOTE: Electrical components, passed by product safety testing and certification services, comply with a testing tolerance of ± 5-10 percent.

LOCATE AND REMOVE THE TEN SCREWS OF ACCESS PANEL ON UNDERSIDE OF UNIT

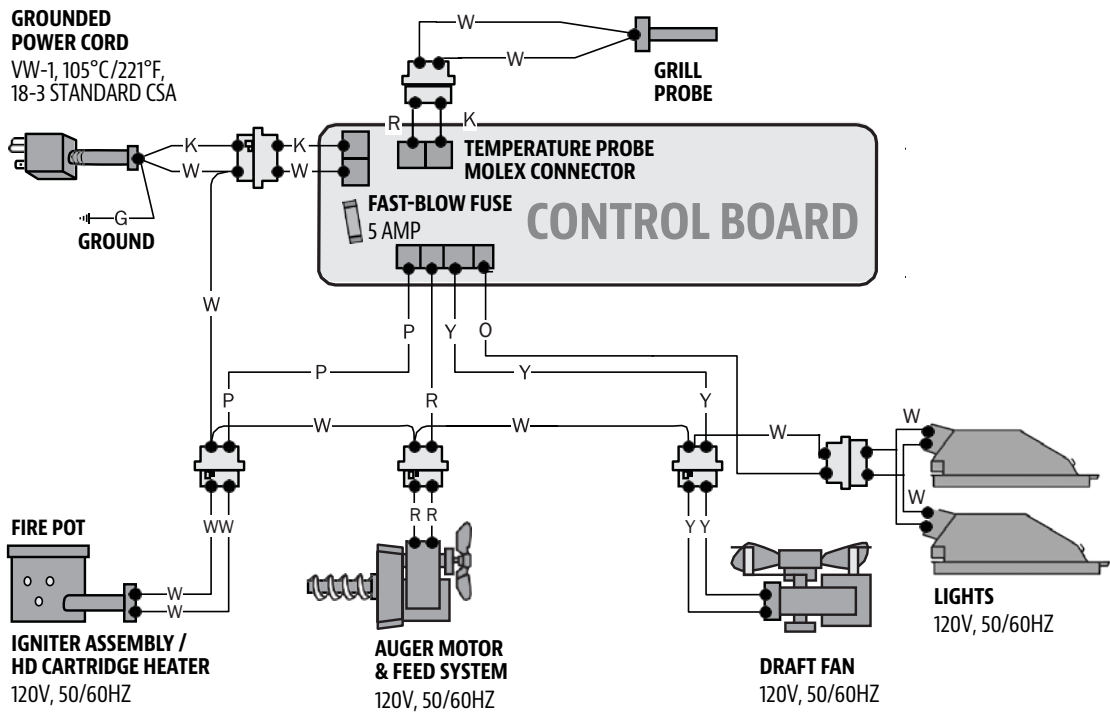


LOCATE AND REMOVE THE SIX SCREWS OF ACCESS PANEL ON UNDER HOPPER LID



ENGLISH

**FUEL INPUT RATING:**  
2.13 KG/H  
(4.69 LB/H)



**INDEX**  
W : WHITE  
Y : YELLOW  
P : PURPLE  
R : RED  
K : BLACK  
G : GREEN  
O : ORANGE

# REPLACEMENT PARTS

ENGLISH

Part#	Description
1-A	Smoker Stack Lid (x2)
2-A	Smoker Stack (x2)
3-A	Main Grill (x1)
4-A	S Meat Hook (x6)
5-A	Smoker Cooking Grid (x4)
6-A	Grease Tray (x1)
7.1-A	Lid Handle Spacer (x2)
7.2-A	Lid Handle Seat (x2)
7.3-A	Lid Handle Tube (x1)
8.1-A	Hopper Lid Handle Seat (x2)
8.2-A	Hopper Lid Handle Tube (x1)
9-A	Meat Probe (x2)
10-A	Ash Tray Bracket (x1)
11-A	Ash Tray (x1)
12-A	Cart Front Panel (x1)
13-A	Back Left Leg (x1)
14-A	Caster Wheel (x2)
15-A	Front Left Leg (x1)

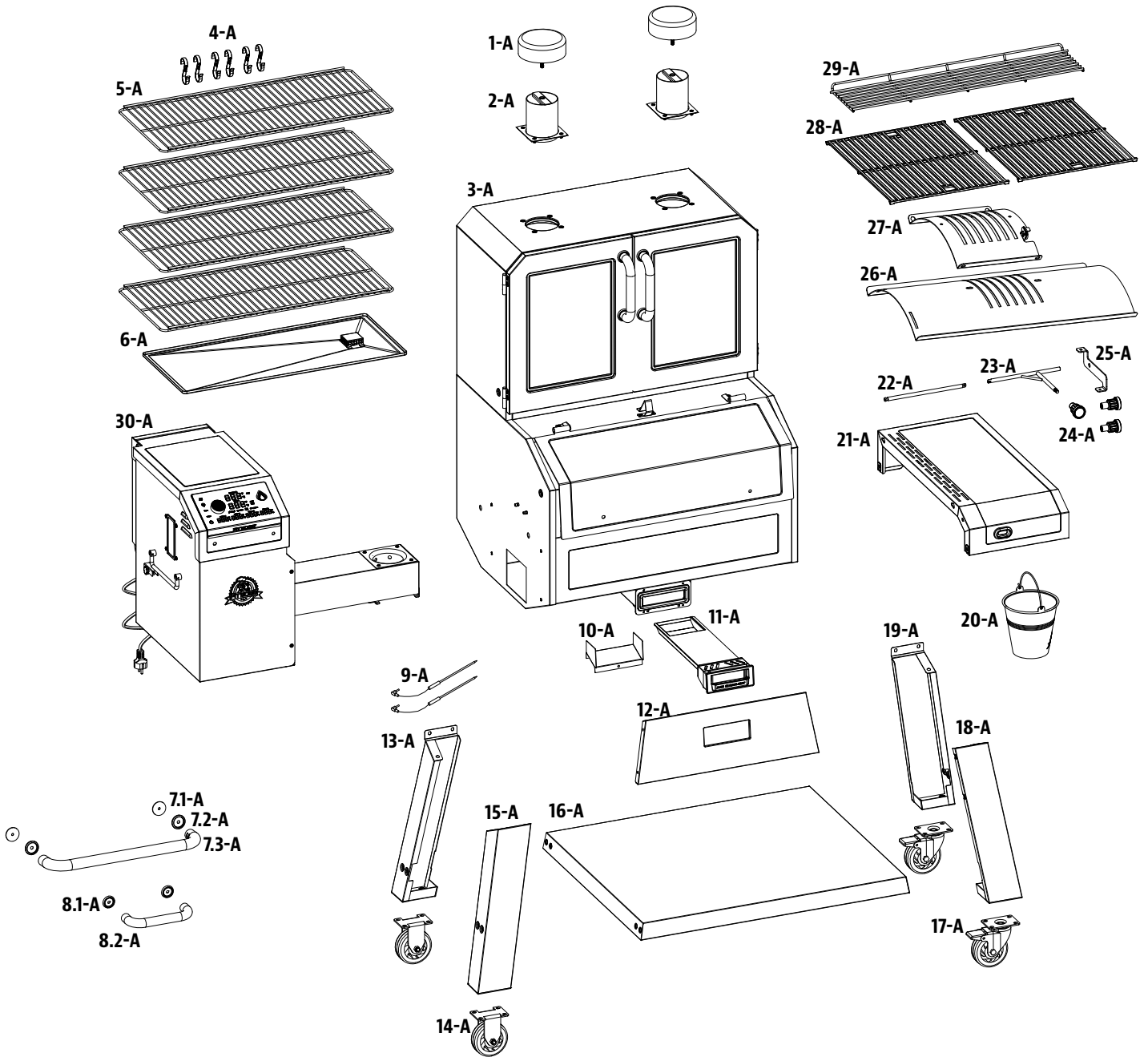
Part#	Description
16-A	Bottom Shelf (x1)
17-A	Locking Caster Wheel (x2)
18-A	Front Right Leg (x1)
19-A	Back Right Leg (x1)
20-A	Grease Bucket (x1)
21-A	Side Table (x1)
22-A	Flame Broiler Slider Pull Handle Connector (x1)
23-A	Flame Broiler Slider Pull Handle (x1)
24-A	Knob (x3)
25-A	Flame Broiler Slider Pull Handle Supporter (x1)
26-A	Flame Broiler Main Plate (x1)
27-A	Flame Broiler Slider (x1)
28-A	Porcelain-Coated Cast-Iron Cooking Grid (x2)
29-A	Porcelain-Coated Steel Warming Rack (x1)
30-A	Hopper Assembly (x1)
31-A	Screw (x38)
32-A	Screw (x5)
33-A	Screw (x17)
34-A	Screw (x1)

Diagram Illustration on next page.

NOTE: Due to ongoing product development, parts are subject to change without notice.

# REPLACEMENT PARTS

ENGLISH

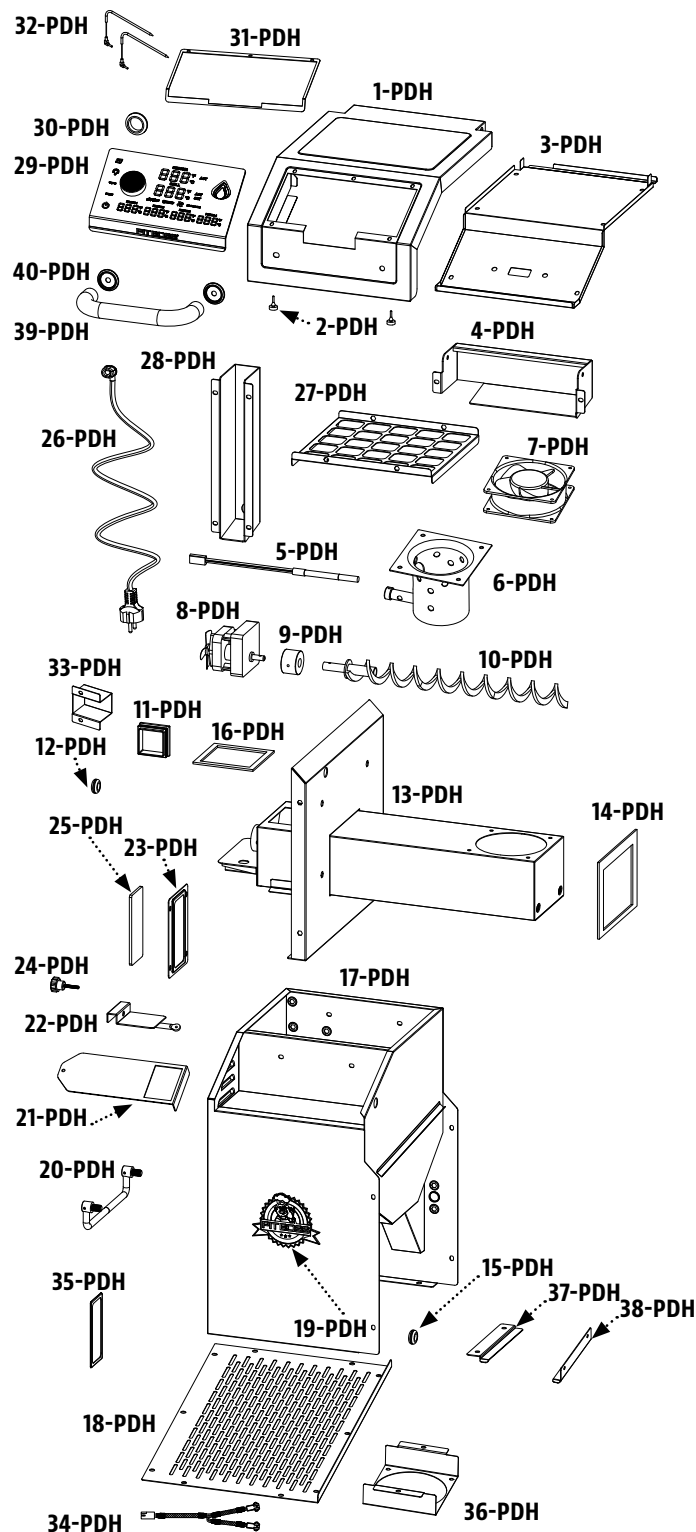


# HOPPER REPLACEMENT PARTS

ENGLISH

Part#	Description
1-PDH	Hopper Lid (x1)
2-PDH	Lid Rubber Cushion (x2)
3-PDH	Hopper Lid Lining (x1)
4-PDH	Support Panel (x1)
5-PDH	Heating Rod (x1)
6-PDH	Burning Cup (x1)
7-PDH	Fan Motor (x1)
8-PDH	Feeding Motor (x1)
9-PDH	Nylon Rod (x1)
10-PDH	Feeding Rod (x1)
11-PDH	Nylon Cover (x1)
12-PDH	Rubber Ring-1 (x1)
13-PDH	Feeding System (x1)
14-PDH	Heating Resisting Sheet (x1)
15-PDH	Rubber Ring-3 (x2)
16-PDH	Seal Washer (x1)
17-PDH	Hopper (x1)
18-PDH	Hopper Bottom Panel (x1)
19-PDH	Logo Plate (x1)
20-PDH	Hopper Handle (x1)
21-PDH	Block Panel-2 (x1)
22-PDH	Block Panel (x1)
23-PDH	Glass Panel (x1)
24-PDH	Pull Handle (x1)
25-PDH	Glass (x1)
26-PDH	Electric Wire (x1)
27-PDH	Top Panel (x1)
28-PDH	Electric Wire Shield (x1)
29-PDH	Control Panel (x1)
30-PDH	Rubber Ring-2 (x1)
31-PDH	Control Panel Seal (x1)
32-PDH	Meat Probe (x2)
33-PDH	Lighter Wire Cover (x1)
34-PDH	"Y" Lighter Wire (x1)
35-PDH	Glass Seal (x1)
36-PDH	Fan Motor Shield (x1)
37-PDH	Ash Tray Right Support (x1)

Part#	Description
38-PDH	Ash Tray Left Support (x1)
39-PDH	Hopper Lid Handle (x1)
40-PDH	Hopper Lid Handle Seat (x2)





# WARRANTY

## CONDITIONS

All wood pellet grills by Pit Boss, manufactured by Dansons, carry a limited warranty from the date of sale by the original owner. The warranty coverage begins on the original date of purchase and proof of date of purchase, or copy of original bill of sale, is required to validate the warranty. Customers will be subject to parts, shipping, and handling fees if unable to provide proof of the purchase or after the warranty has expired.

Dansons carries a five (5) year warranty against defects and workmanship on all parts, and five (5) years on electrical components. Dansons warrants that all part(s) are free of defects in material and workmanship, for the length of use and ownership of the original purchaser. Warranty does not cover damage from wear and tear, such as scratches, dents, dings, chips or minor cosmetic cracks. These aesthetic changes of the grill do not affect its performance. Repair or replacement of any part does not extend past the limited warranty beyond the five (5) years from date of purchase.

During the term of the warranty, Dansons' obligation shall be limited to furnishing a replacement for defective and/or failed components. As long as it is within the warranty period, Dansons' will not charge for repair or replacement for parts returned, freight prepaid, if the part(s) are found by Dansons' to be defective upon examination. Dansons' shall not be liable for transportation charges, labor costs, or export duties. Except as provided in these conditions of warranty, repair or replacement of parts in the manner and for the period of time mentioned heretofore shall constitute the fulfillment of all direct and derivate liabilities and obligations from Dansons to you.

Dansons takes every precaution to utilize materials that retard rust. Even with these safeguards, the protective coatings can be compromised by various substances and conditions beyond Dansons' control. High temperatures, excessive humidity, chlorine, industrial fumes, fertilizers, lawn pesticides and salt are some of the substances that can affect metal coatings. For these reasons, the warranty does not cover rust or oxidization, unless there is loss of structural integrity on the grill component. Should any of the above occur, kindly refer to the care and maintenance section to prolong the lifespan of your unit. Dansons recommends the use of a grill cover when the grill is not in use.

This warranty is based on normal domestic use and service of the grill and neither limited warranty coverage's apply for a grill which is used in commercial applications.

## EXCEPTIONS

There is no written or implied performance warranty on Pit Boss grills, as the manufacturer has no control over the installation, operation, cleaning, maintenance or the type of fuel burned. This warranty will not apply nor will Dansons assume responsibility if your appliance has not been installed, operated, cleaned and maintained in strict accordance with this owner's manual. Any use of gas not outlined in this manual may void the warranty. The warranty does not cover damage or breakage due to misuse, improper handling or modifications.

Neither Dansons, or authorized Pit Boss dealer, accepts responsibility, legal or otherwise, for the incidental or consequential damage to the property or persons resulting from the use of this product. Whether a claim is made against Dansons based on the breach of this warranty or any other type of warranty expressed or implied by law, the manufacturer shall in no event be liable for any special, indirect, consequential or other damages of any nature whatsoever in excess of the original purchase of this product. All warranties by manufacturer are set forth herein and no claim shall be made against manufacturer on any warranty or representation.

Some states do not allow the exclusion or limitation of incidental or consequential damages, or limitations of implied warranties, so the limitations or exclusions set forth in this limited warranty may not apply to you. This limited warranty gives you specific legal rights and you may have other rights, which vary from state to state.

## ORDERING REPLACEMENT PARTS

To order replacement parts, please contact your local Pit Boss dealer or visit our online store at: [www.pitboss-grills.com](http://www.pitboss-grills.com)

## CONTACT CUSTOMER SERVICE

If you have any questions or problems, contact Customer Service, Monday through Sunday, 4am - 8pm PST (EN/FR/ES).

[service@pitboss-grills.com](mailto:service@pitboss-grills.com) | Toll-Free: 1-877-303-3134 | Toll-Free Fax: 1-877-303-3135

## WARRANTY SERVICE

Contact your nearest Pit Boss dealer for repair or replacement parts. Danson's requires proof of purchase to establish a warranty claim; therefore, retain your original sales receipt or invoice for future reference. The serial and model number of your Pit Boss can be found on the back of the hopper. Record numbers below as the label may become worn or illegible.

---

MODEL

---

SERIAL NUMBER

---



DATE OF PURCHASE

---

AUTHORIZED DEALER

## ACCESSORIES SOLD SEPARATELY

Available for purchase separately. Accessories not available and supplied by all authorized Pit Boss® dealers.

ITEM	DESCRIPTION
	<p><b>COVER</b></p> <p>Form-fitting, full length cover. Heavy-duty polyester with PVC backing for long-term use. Weatherproof. Includes draw-string lock for easy tightening.</p>
	<p><b>MEAT PROBE</b></p> <p>When connected, the temperature of food is displayed by the control board.</p>

ITEM	DESCRIPTION
	<p><b>GRILLING APRON</b></p> <p>Adjustable apron with double front pockets for grilling tools. One size. Machine washable.</p>

ENGLISH

## RECIPES

### CLASSIC BRISKET

Makes 4 - 6 Servings

A whole beef brisket weighs 7.25-3.62 kg / 16-18 pounds and has three separate parts: the cap, the point, and the flat. Use the flat section, as it is lean, compact, and creates nice slices when carved.

#### Ingredients:

1	Beef Brisket 2.2-3.6 kg / 5-8 lbs, Layer of fat is at least 0.6 cm / ¼" thick
1 bottle	Prepared Yellow Mustard
75 ml / 5 tbsp	Seasoning
1 bottle	Chili Sauce
1 pack	Dry Onion Soup Mix
375 ml / 1 ½ c.	Beef Broth
40 ml / 8 tsp	Black Pepper

**Suggested Wood Pellet Flavor: Hickory / Competition**

#### Instructions:

1. Lay out a large piece of plastic wrap on your working station. Large enough to encase the brisket. Using a sharp knife, cut a single cut on the underside of the brisket against the grain. This will aid in slicing the finished brisket, against the grain which results in a tender, melt-in-your-mouth cut. The underside is the non-fat cap side. Slather on a generous amount of prepared mustard. Rub lightly onto the entire

area. Sprinkle a generous amount of seasoning onto the mustard, then again light rub into the meat. Flip the brisket over and repeat the process. Wrap the prepared brisket in the plastic wrap and refrigerate 2 to 4 hours, or overnight.

2. Prepare the basting mixture. Mix the chili sauce, dry onion soup mix, beef broth, and black pepper. Set aside.
3. **Preheat grill, then reduce to SMOKE or low temperature.**
4. Place the brisket, fat side up, in the center of the grill. Close the grill lid. Slow cook until tender, about 10 to 12 hours.
5. Baste the brisket with the basting mixture every half hour for the first 3 hours.
6. Continue the slow cooking process until the internal temperature reaches 60-66°C / 140-150°F. Remove from grill. **Turn grill up to 176°C / 350°F.**
7. Place the brisket into a pouch of double-layered aluminum foil. Pour 50 ml / ¼ cup of basting mixture over the brisket in the pouch. Close the pouch shut.
8. Lay foil pouch carefully on the grill. Steam for 1 to 1 ½ hours.
9. Open the pouch, and use a meat thermometer; internal temperature should reach 91°C / 195°F. The brisket should be firm but be able to pull the meat apart with your fingers.
10. Transfer the meat to a cutting board, and let it rest for 10 minutes. Thinly slice across the grain to serve.

## BBQ RIBS

Makes 4 - 6 Servings

### Ingredients:

1.3-1.8 kg / 3-4 lbs	Ribs <small>Meaty pork spare ribs / loin back ribs</small>
45 ml / 3 tbsp	Oil
5 ml / 1 tsp	Salt
5 ml / 1 tsp	Pepper
2 whole	Onions (chopped)
30 ml / 2 tbsp	Vinegar
30 ml / 2 tbsp	Worcestershire sauce
125 ml / ½ c.	Apple Juice or Soda
5 ml / 1 tsp	Paprika
5 ml / 1 tsp	Chili Powder

Suggested Wood Pellet Flavor: Hickory / Competition / Apple

### Instructions:

1. Preheat grill, then reduce to **SMOKE** or low (82-107°C / 180-225°F).
2. Prepare ribs by peeling off the tough layer of skin on the back side. Season the ribs with salt and pepper, to taste.
3. Place ribs on grill, spaced evenly apart. Smoke for 3 to 4 hours.
4. Mix remaining ingredients in a saucepan and bring to a boil. Let sauce boil for five minutes to thicken.
5. Remove from grill. **Turn grill up to 176°C / 350°F.**
6. Place each rack into a pouch of double-layered aluminum foil. Pour 50 ml / ¼ cup of sauce over the ribs in the pouch. Close the pouch shut.
7. Lay foil pouch carefully on the grill. Steam for 1 to 1 ½ hours.
8. Open the pouch. The meat will have exposed the rib ends and be very tender. **Turn grill up to HIGH (260°C / 500°F).** Place ribs back on the grill and baste with sauce on both sides of ribs.
9. Once the sauce is caramelized and the ribs are sticky, remove from grill and serve.

### Variation: MEMPHIS-DRY METHOD

Turn grill up to HIGH (260°C / 500°F). Place ribs back on the grill and season with a dry seasoning or rub. Sear the ribs, remove from grill and serve.

## SIRLOIN STEAK WITH SWEET ONION & PEPPERS

Makes 4 Servings

### Ingredients:

2	Steak, Top Sirloin <small>1" thick, cut into 4 pieces. 0.45kg/1 lb</small>
10 ml / 2 tsp	Seasoning or rub
5 medium	Sweet Onions (coursed chopped)
2 whole	Bell Peppers (all kinds, chopped)
60 ml / 4 tbsp	Soy Sauce
60 ml / 4 tbsp	Olive Oil
Dash	Salt

Suggested Wood Pellet Flavor: Hickory / Mesquite / Whiskey

### Instructions:

1. Preheat grill, then reduce slightly to **218°C / 425°F.**
2. Season both sides of the steak with the seasoning or rub. Cover and refrigerate at least 1 hour.
3. Place onions and bell peppers into a covered tray of aluminum foil. Mix soy sauce and olive oil together, then drizzle over tray. Sprinkle with salt. Seal the foil packet completely.
4. Place the foil on the grill for 10 – 15 minutes or until vegetables are soft and tender. Remove from grill, and keep covered.
5. Place steaks on grill. Sear each side, flipping every few minutes.
6. Grill until desired doneness, then remove from grill. Place on serving plates and top with warm vegetables.

## BEER CAN CHICKEN

Makes 2 - 6 Servings

### Ingredients:

1 whole	Chicken <small>1.8-2.7 kg / 4-6 lbs</small>
1 can	Beer, any kind
45 ml / 3 tbsp	Seasoning

Suggested Wood Pellet Flavor: Hickory / Apple / Competition

### Instructions:

1. Preheat grill, then reduce to **135-177°C / 275-350°F.**
2. Open can, and pour half of the beer into a glass to drink. Leave half in the can, and make a few more holes in the top of the can to increase ventilation. Add a ¼ of the seasoning to the can.
3. Rinse chicken thoroughly and pat the exterior dry with paper towel. Add a ¼ of the rub inside the cavity of the chicken. With the remaining seasoning, rub the outer surface of the chicken.
4. Insert the upright can into the cavity of the chicken, place on the grill, and close the grill lid. Cook until the chicken is golden brown and crispy; internal temperature should reach 74°C/165°F.
5. Using tongs, carefully remove the upright chicken and can from the grill. Let rest for five minutes, then carefully remove the can from the cavity of the chicken. Be cautious not to spill, as the liquid will be hot.
6. Carve chicken and serve.

### Variation: NON-ALCOHOLIC, BEER-CAN CHICKEN

Using the same instructions as above, but substitute the can of beer with a can of your favorite non-diet cola, fruit juice, or water with additional seasoning.

## PEPPERED SPICY BEEF JERKY

*This delicious, protein packed Peppered Spicy Beef Jerky is the perfect snack for workouts or hangouts! Deeply flavorful and smoky, this recipe calls for trimmed flank steak. The perfect beginner jerky to conquer with the help of your Pit Boss® Smoker! Just set it, forget it, and be ready for epic, tender bites! Your post-workout snacks will never be the same.*

**Makes 4 - 6 Servings**

### Ingredients:

- 12 oz bottle Stout or Other Dark Beer
- 50 g / ¼ c. Brown Sugar
- 30 ml / 2 tbsp Coarse Black Pepper
- 60 ml / 4 tbsp Garlic Salt
- 30 ml / 2 tbsp Hot Sauce
- 15 ml / 1 tbsp Quick Curing Salt
- 250 ml / 1 c. Soy Sauce
- 30 ml / 2 tbsp Pit Boss® Sweet Heat Rub Seasoning, divided
- 910 g / 2 lbs Trimmed Flank Steak
- 50 g / ¼ c. Worcestershire Sauce

**Suggested Wood Pellet Flavor: Mesquite Blend**

### Instructions:

1. In a large mixing bowl, add the dark beer, soy sauce, Worcestershire sauce, brown sugar, hot sauce, garlic salt, black pepper, 2 tablespoons of the Sweet Heat seasoning, and quick curing salt. Whisk well to combine everything, or until the brown sugar is dissolved. Pour the marinade into a large resealable plastic bag or large mixing bowl and set aside.
2. Using a sharp knife, trim any fat or connective tissue off the flank steak. Slice the beef into ¼ inch thick slices against the grain (this is easiest if the meat is partially frozen).
1. Place the beef slices into the resealable plastic bag, seal and massage the marinade into the meat. Allow the meat to marinate in the refrigerator for 24 hours.
2. When you are ready to smoke your jerky, remove the beef from the marinade and discard the marinade.
3. **Fire up your Pit Boss Smoker and set the temperature to 200°F. If using a sawdust or charcoal smoker, set it up for medium low heat.**
4. Arrange the meat in a single layer directly on the smoker grate. Smoke the beef for 4-5 hours, or until the jerky is dry but still chewy and still bends somewhat.
5. Remove the jerky from the grill with tongs and transfer to a resealable plastic bag while still warm. Let the jerky rest for 1 hour at room temperature.
6. Squeeze any air out of the resealable plastic bag and refrigerate the jerky. It will keep for several weeks. Enjoy!

## BBQ SMOKED TURKEY JERKY

*This delicious BBQ Smoked Turkey Jerky is an excellent snack or pick me up post-workout. Packed with protein and low in fat, this Turkey Jerky recipe utilizes the turkey breast, so it will be a favorite healthy treat for you and your friends! Make sure to make extra—seal in an air tight bag and it can last for weeks in your fridge.*

**Makes 4 - 6 Servings**

### Ingredients:

- 30 ml / 2 tbsp Apple Cider Vinegar
- 30 ml / 2 tbsp Barbecue Sauce (any kind)
- 15 ml / 1 tbsp Quick Curing Salt
- 125 ml / ½ c. Soy Sauce
- 60 ml / 4 tbsp Pit Boss® Sweet Heat Rub Seasoning
- 910 g / 2 lbs Boneless Skinless Turkey Breast
- 50 g / ¼ c. Water

**Suggested Wood Pellet Flavor: Apple Blend**

### Instructions:

1. In a large bowl, combine the soy sauce, water, barbecue sauce, apple cider vinegar, quick curing salt, and 2 tablespoons of the Sweet Rib Rub. Whisk together until well combined and pour into a large, resealable plastic bag.
2. Using a sharp knife, slice the turkey into ¼ inch slices with the grain (this is easier if the meat is partially frozen). Trim off any fat, skin or connective tissue and discard.
3. Place the turkey slices into the plastic bag, seal, and massage the marinade into the turkey. Refrigerate for 24 hours.
4. Once the jerky is ready to go, remove the turkey from the refrigerator, drain the marinade and discard. Pat the turkey dry with paper towels and sprinkle all sides generously with the remaining Sweet Rib Rub.
5. **Fire up your Pit Boss Smoker and set the temperature to 180°F. If you're using a sawdust or charcoal smoker, set it up for medium low heat.**
6. Place the turkey slices directly onto the smoker grates and smoke for 2-4 hours, or until the jerky is chewy but still bends slightly.
7. Transfer the jerky to a resealable plastic bag while the jerky is still warm and allow it to sit at room temperature for 1 hour. Squeeze any air from the bag and place in the refrigerator. It will keep for several weeks.

## **POOR MAN'S BURNT ENDS**

**Makes 4 - 6 Servings**

### **Ingredients:**

- 125 ml / ½ c. Barbecue Sauce (any kind)  
 50 g / ¼ c. Brown Sugar  
 1.36 kg / 3 lbs Chuck Roast  
 60 ml / 4 tbsp Pit Boss® Sweet Heat Rub Seasoning

**Suggested Wood Pellet Flavor: Competition Blend**

### **Instructions:**

- 1. Fire up your Pit Boss Smoker and set the temperature to 275°F.**
- Season your chuck roast liberally on all sides with Sweet Rib Rub. Insert a temperature probe into the thickest part of the chuck roast and place the roast on the smoker.
- Smoke the roast until the internal temperature reaches 165°F. Wrap the chuck roast in aluminum foil and return to the smoker until the internal temperature is 195°F, about 1 hour.
- Remove the wrapped roast from the smoker and allow to rest for 15-20 minutes. Cut into ¾ inch cubes and transfer to a disposable aluminum pan. Sprinkle with ¼ cup brown sugar and drizzle with most of the BBQ sauce, reserving a couple of tablespoons for later. Toss to coat all the burnt ends with the sauce.
- Place the pan on the grill, close the lid and cook for an additional 1 ½ to 2 hours, or until the sauce is thickened and the burnt ends are tender. Remove from the smoker and serve.

## **BACON WRAPPED CHEESY STUFFED JALAPEÑOS**

*Here's a game day appetizer with a kick and we're not talking about field goals. No, these Bacon Wrapped Stuffed Jalapeños deliver a creamy, crunchy, spicy and flavorful punch with every bite.*

*Stuffed jalapeños wrapped with bacon are always a favorite and this one has the bonus of being made on a Pit Boss® Pellet Grill which of course will give them the added flavor of wood fire.*

**Makes 4 - 6 Servings**

### **Ingredients:**

- 12 Pieces Bacon Strips, (cut in half)  
 225 g / 8 oz Cream Cheese, Room Temperature  
 1 Garlic Cloves, Chopped  
 12 Fresh Jalapeño Peppers  
 250 ml / 1 c. Mozzarella Cheese, Shredded  
 2 ml / ½ tsp Smoked Paprika  
 24 Toothpicks

**Suggested Wood Pellet Flavor: Hickory Blend**

### **Instructions:**

- 1. Start your Grill on "smoke" with the lid open until a fire is established in the burn pot (3-7 minutes). Preheat to 300°F.**
- Begin cutting the jalapeño peppers in half lengthwise, removed the seeds along with the center membrane, and set aside.
- Next, beat the cream cheese, mozzarella cheese, garlic, and paprika together until fully combined, add salt to taste, then spoon fill all 24 jalapeño halves evenly.
- Wrap each stuffed jalapeño with a half slice of bacon and stick a toothpick in the center to keep the bacon in place.
- Place each stuffed pepper on the grill, and grill for about 25 minutes.
- Remove from the grill and serve immediately.

**Tip:** For even more smoky flavors, start the recipe on smoke mode for 30 minutes before grilling.

# INFORMATIONS DE SÉCURITÉ

**LES CAUSES MAJEURES DES INCENDIES D'APPAREILS SONT LE RÉSULTAT D'UN MAUVAIS ENTRETIEN ET D'UN DÉFAUT DE MAINTENIR DU DÉGAGEMENT REQUIS POUR LES MATÉRIAUX COMBUSTIBLES. IL EST D'UNE IMPORTANCE CRUCIALE QUE CE PRODUIT SOIT UTILISÉ SEULEMENT CONFORMÉMENT AUX INSTRUCTIONS SUIVANTES.**

Veillez lire et comprendre ce manuel avant d'assembler, d'utiliser ou d'installer le produit. Cela vous assurera de profiter au mieux et sans soucis de votre nouveau grill à granulés de bois. Nous vous conseillons également de conserver ce manuel pour référence ultérieure.

## DANGERS ET AVERTISSEMENTS

**Vous devez communiquer avec votre municipalité, vos autorités locales en matière de feu ou de construction ou toute autre autorité compétente afin d'obtenir les permis nécessaires, la permission ou des renseignements sur toutes les restrictions d'installation, y compris ceux relatifs à l'installation d'un grill sur une surface combustible, aux règles d'inspection ou encore aux permis d'utilisation dans votre région.**

1. Un dégagement minimum de 914 mm (36 pouces) des constructions combustibles sur les côtés du grill et 914 mm (36 pouces) de l'arrière du grill aux constructions combustibles doit être maintenu. **N'installez pas l'appareil sur des planchers combustibles ou sur des planchers protégés par des surfaces combustibles à moins que les autorités compétentes n'aient obtenu les permis et les autorisations nécessaires.** Cet appareil à granulés de bois ne doit pas être placé sous un plafond ou un surplomb combustible. Gardez votre grill dans une zone dégagée et exempte de matières combustibles, d'essence et d'autres vapeurs et liquides inflammables.

**En cas d'incendie de graisse, éteignez le grill et laissez le couvercle fermé jusqu'à ce que le feu soit éteint. Ne pas débrancher la fiche d'alimentation. Ne pas jeter d'eau dessus. Ne pas essayer d'étouffer le feu. L'utilisation d'un extincteur approuvé toutes classes (classe ABC) est précieuse à conserver sur place. Si un incendie non contrôlé se produit, appelez les pompiers.**

2. Gardez les cordons d'alimentation électrique et le carburant loin des surfaces chauffées. Ne pas utiliser votre grill sous la pluie ou autour d'une source d'eau.
3. Après une période de stockage ou de non utilisation, vérifiez qu'il n'y a pas d'obstruction au niveau de la grille de combustion et pas de blocage de l'air au niveau de la trémie. Nettoyer avant utilisation. Des soins et un entretien réguliers sont nécessaires pour prolonger la durée de vie de votre grill. **Si le grill est entreposé dehors pendant la saison des pluies ou les saisons de forte humidité, toutes les précautions devraient être prises pour veiller à ce que l'eau n'entre pas dans la trémie.** Lorsqu'ils sont mouillés ou exposés à une humidité élevée, les granulés de bois se dilatent considérablement, se décomposent et peuvent bloquer le système d'alimentation. Vous devez toujours débrancher le grill avant d'effectuer un service ou un entretien.

**Ne pas transporter votre grill pendant son utilisation ou pendant qu'il est chaud. Assurez-vous que le feu est complètement éteint et que le grill est complètement frais avant le déplacement.**

4. Il est recommandé d'utiliser des gants ou des gants de barbecue résistant à la chaleur lors de l'utilisation du grill. Ne pas utiliser d'accessoires n'ayant pas été conçus pour être utilisés avec cet appareil. Ne pas mettre de couvercle de barbecue ou tout autre matière inflammable dans la zone d'espace de stockage sous le barbecue.
5. Pour éviter toute blessure ou endommagement de la tarière, l'appareil comporte un écran de sécurité de la trémie métallique. Cet écran ne doit pas être retiré sauf indication contraire du service à la clientèle de dansons ou d'un fournisseur de service autorisé.

**Cet appareil n'est pas conçu pour être utilisé par des enfants, des personnes à capacités physiques, sensorielles ou intellectuelles réduites ou sans expérience ni connaissances, à moins qu'elles soient surveillées directement par une personne responsable de leur sécurité.**

- Certaines parties du barbecue peuvent être très chaudes et des blessures graves peuvent survenir. Tenir hors de portée des jeunes enfants et des animaux domestiques lors de l'utilisation.
- Ne pas élargir des trous de l'allumeur ou des pots de combustion. Le non-respect de cet avertissement pourrait entraîner un risque d'incendie et des dommages corporels et annulera votre garantie.
- Le produit peut avoir des bords ou des points pointus. Le contact peut entraîner des blessures. Manipuler avec soin..

## ÉLIMINATION DES CENDRES

Les cendres devraient être déposées dans un contenant métallique avec couvercle hermétique. Le contenant fermé de cendres devrait être placé sur un plancher non combustible ou sur le sol, loin de toute matière combustible en attendant leur élimination définitive. Lorsque les cendres sont disposées par enterrement dans le sol, ou dispersées localement, elles doivent être conservées dans un récipient fermé jusqu'à ce que toutes les cendres aient été complètement refroidies.

## COMBUSTIBLE GRANULES DE BOIS

Cet appareil de cuisson à granules est conçu et approuvé uniquement pour le bois aggloméré, entièrement naturel. Tout autre type de consommation de carburant dans cet appareil annulera la garantie et la norme de sécurité. Vous devez uniquement utiliser les pastilles de bois naturelles, conçues pour brûler dans les grils de bbq à pastilles. Ne pas utiliser de carburant avec des additifs. Le combustible en granulés signifie un pouvoir calorifique en 8000-8770 BTU / LB, une teneur en cendres <1%.

**Ne pas utiliser roche de lave, morceaux de bois, charbon de bois, d'alcool, d'essence, de pétrole, de l'essence à briquet ou du kérosène pour allumer ou rafraîchir un feu sur votre gril.**

Au moment de l'impression de ce manuel, il n'y a pas de norme industrielle pour les granulés de bois de barbecue, bien que la plupart des usines de granulés utilisent les mêmes normes pour fabriquer des granulés de bois à usage domestique. Vous trouverez plus d'informations sur [www.pelletheat.org](http://www.pelletheat.org) ou sur *Pellet Fuel Institute*.

Contactez votre revendeur local au sujet de la qualité des granulés dans votre région et pour des informations sur la qualité de la marque. Comme il n'y a pas de contrôle sur la qualité des pastilles utilisées, nous n'assumons aucune responsabilité à l'égard des dommages causés par une mauvaise qualité du carburant.

## CRÉOSOTE

La créosote, ou la suie, est une substance semblable à celle du goudron. Lors de la combustion, il produit de la fumée noire avec un résidu qui est également de couleur noire. La suie ou la créosote est formée lorsque l'appareil fonctionne incorrectement, par exemple: position incorrecte de la grille de combustion, blocage du ventilateur de combustion, défaut de nettoyage et entretien de la zone de combustion ou mauvaise combustion air-carburant.

Il est dangereux de faire fonctionner cet appareil si la flamme devient sombre, de suie, ou si le pot de combustion est trop rempli de granulés. Lorsqu'elle est enflammée, cette accumulation de créosote produit un feu extrêmement vif et non maîtrisé, similaire à un feu de graisse. Dans ce cas, éteignez l'appareil, laissez-le refroidir complètement, puis inspectez-le pour l'entretien et le nettoyage. Il s'accumule généralement le long des zones d'échappement.

Si de la créosote s'est accumulée dans l'unité, laissez l'unité se réchauffer à basse température, éteignez l'appareil, puis essuyez toute formation à l'aide d'une serviette à main. À l'instar du goudron, il est beaucoup plus facile de nettoyer au chaud, car il devient liquide.

## LE MONOXYDE DE CARBONE (« LE TUEUR SILENCIEUX »)

Le monoxyde de carbone est un gaz incolore, inodore et sans goût produit par la combustion des gaz, du bois, du propane, du charbon ou d'autres combustibles. Le monoxyde de carbone réduit la capacité du sang à transporter l'oxygène. Les faibles niveaux d'oxygène sanguin peuvent entraîner des maux de tête, des étourdissements, des faiblesses, des nausées, des vomissements, de la somnolence, de la confusion, de la perte de conscience ou la mort. Suivez les directives suivantes pour empêcher ce gaz incolore et inodore de vous empoisonner ainsi que votre famille et les autres :

- Consultez un médecin si vous ou les autres développez des symptômes similaires à un rhume ou la grippe quand vous cuisinez ou quand vous vous trouvez à proximité de l'appareil. L'empoisonnement au monoxyde de carbone, qui peut facilement être confondu avec le rhume ou la grippe, est souvent détecté trop tard.



- La consommation d'alcool et de drogues augment les effets de l'empoisonnement au monoxyde de carbone.

Le monoxyde de carbone est particulièrement toxique pour la mère et l'enfant pendant la grossesse, pour les nourrissons, les personnes âgées, les fumeurs et les personnes souffrant de problèmes de circulation sanguine ou du système circulatoire, tels que l'anémie ou les maladies cardiaques.

## LISTE DE SÉCURITÉ

Conformément aux procédures et spécifications homologuées dans UL 2728A-2019 «Appareils de cuisson à combustible à granulés» et ULC / ORD C2728-19 «équipement à combustible à granulés». Pit Boss® Grills ont été testés indépendamment et classés par CSA (un laboratoire d'essai accrédité) aux normes UL et ULC.



## DÉCLARATION DE COMPATIBILITÉ FCC

Cet appareil est conforme à la section 15 de la réglementation de la FCC. Son utilisation est soumise aux deux conditions suivantes :



(1) Cet appareil ne doit pas causer d'interférences nuisibles et (2) Cet appareil doit accepter toutes les interférences reçues, y compris celles pouvant entraîner un fonctionnement indésirable.

Cet équipement a été testé et déclaré conforme aux limites imposées aux appareils numériques de classe B, conformément à la section 15 du règlement de la FCC. Ces limites sont conçues pour offrir une protection raisonnable contre les interférences nuisibles dans une installation résidentielle. Cet équipement génère et peut émettre de l'énergie de fréquence radio. S'il n'est pas installé et utilisé selon les instructions, il peut produire des interférences nuisibles aux communications radio. Cependant, il n'existe aucune garantie que de telles interférences ne se produiront pas dans une installation particulière. Si cet équipement cause des interférences nuisibles à la réception radio ou télévisuelle, ce que l'utilisateur peut déterminer en allumant ou en éteignant l'équipement, l'utilisateur est invité à essayer de corriger ces interférences en prenant une ou plusieurs des mesures suivantes :

- Réorienter ou déplacer l'antenne réceptrice.
- Augmenter la distance séparant l'appareil du récepteur.
- Brancher l'appareil sur un circuit différent de celui du récepteur.
- Consulter le fournisseur ou un technicien qualifié de la radio ou de la télévision afin d'obtenir de l'aide.



## AVIS SUR LES DROITS D'AUTEUR

Droit d'auteur 2020. Tous droits réservés. Nulle partie de ce manuel ne peut être reproduite, transmises, transcrite ou stockée dans un système de recherche de quelque façon que ce soit sans l'autorisation préalable écrite de,

### Dansons

3411 North 5th Avenue, Suite 500, Phoenix, AZ, USA 85013  
sales@pitboss-grills.com | service@pitboss-grills.com  
[www.pitboss-grills.com](http://www.pitboss-grills.com)

### Service à la clientèle

Du lundi au dimanche, de 4H à 20H HP (ANG/FR/ES)

**Numéro sans frais : 1-877-303-3134**

**Télécopieur sans frais : 1-877-303-3135**

# TABLE DES MATIÈRES

Informations de sécurité.....	39	Mode d'emploi	
Pièces et spécifications.....	43	Environnement du gril.....	54
Préparation de l'assemblage .....	45	Gammes de température du gril.....	55
Instructions d'assemblage		Gammes de température du fumoir.....	55
Enlevez les composants de la boîte.....	45	Comprendre le tableau de contrôle.....	56
Assemblage des pieds de support au gril.....	45	Connexion à l'application Smoke IT® .....	57
Installation du panneau avant au gril.....	46	Comprendre les sondes.....	57
Installation du support pour plateau à cendres.....	46	Procédure d'amorçage de la trémie.....	58
Fixation des pieds de support avant à l'étagère inférieure ....	46	Première utilisation – Combustion initiale .....	59
Assemblage des pieds de support arrière au gril.....	47	Procédure de démarrage automatique.....	59
Fixation des pieds de support avant à l'étagère inférieure ....	47	Procédure de démarrage manuelle.....	59
Connexion des roues au chariot.....	47	Éteindre votre gril .....	59
Montage de la cheminée au gril.....	48	Entretien et maintenance.....	60
Fixation du couvercle de cheminée .....	48	Utilisation du combustible en granulés de bois.....	62
Placer le gril en position verticale .....	48	Lignes directrices pour la cuisine .....	62
Fixation des vis au côté de la chambre principale.....	48	Conseils et techniques.....	65
Installation de la table latérale.....	49	Dépannage .....	66
Fixation de la table latérale.....	49	Diagramme de fil électrique .....	69
Installation de la poignée du grilloir sur flamme		Pièces de rechange	
(côté du trou).....	49	Pièces de rechange de gril .....	70
Installation de la poignée du grilloir sur flamme		Pièces de rechange de trémie .....	72
(côté de la poignée) .....	49	Garantie	
Montage de l'appui de la poignée du grilloir sur flamme.....	50	Conditions.....	73
Installation des boutons/mollettes.....	50	Exceptions.....	73
Installation de l'assemblage pour nettoyer les cendres.....	50	Commande de pièces de remplacement .....	74
Installation de la poignée du couvercle du gril .....	51	Appelez le service à la clientèle .....	74
Installation de la poignée du couvercle de la trémie .....	51	Service de garantie .....	74
Montage des composants du grilloir sur flamme		Accessoires vendus séparément.....	75
(chaudière) .....	51	Recettes .....	75
Installation de la poignée de la chaudière glissière .....	52		
Installation des composants de cuisson .....	52		
Installation des composants de cuisson du fumeur.....	52		
Installation des crochets à viande.....	53		
Installation du seau de graisse.....	53		
Connexion à une source d'alimentation .....	53		

# PIÈCES ET SPÉCIFICATIONS

No.	Description
1	Couvercle de cheminée (x2)
2	Cheminée (x2)
3	Baril principal / Assemblage de la trémie (x1)
4	Crochets à viande en « S » (x6)
5	Grille de cuisson du fumoir (x4)
6	Plateau à graisse (x1)
7	Assemblage de la poignée du couvercle (x1)
8	Ensemble de poignée de couvercle de trémie (x1)
9	Sonde thermique (x2)
10	Support du plateau à cendres (x1)
11	Plateau à cendres (x1)
12	Panneau avant du chariot (x1)
13	Pied gauche arrière (x1)
14	Roulette (x2)
15	Pied gauche avant (x1)
16	Étagère Inférieure (x1)
17	Roulette verrouillable (x2)
18	Pied droit avant (x1)
19	Pied droit arrière (x1)
20	Seau de graisse (x1)
21	Table latérale (x1)
22	Connecteur de la poignée de tirage de la chaudière glissière (x1)
23	Poignée de tirage de la chaudière glissière (x1)
24	Mollette (x3)
25	Support de la poignée de tirage de la chaudière glissière (x1)
26	Chaudière planche principale (x1)
27	Chaudière glissière (x1)
28	Grilles de cuisson en fonte revêtue de porcelaine (x2)
29	Grille de réchauffement en acier enduit de porcelaine (x1)

No.	Description
A	Vis (x38)
B	Vis (x5)
C	Vis (x17)
D	Vis (x1)

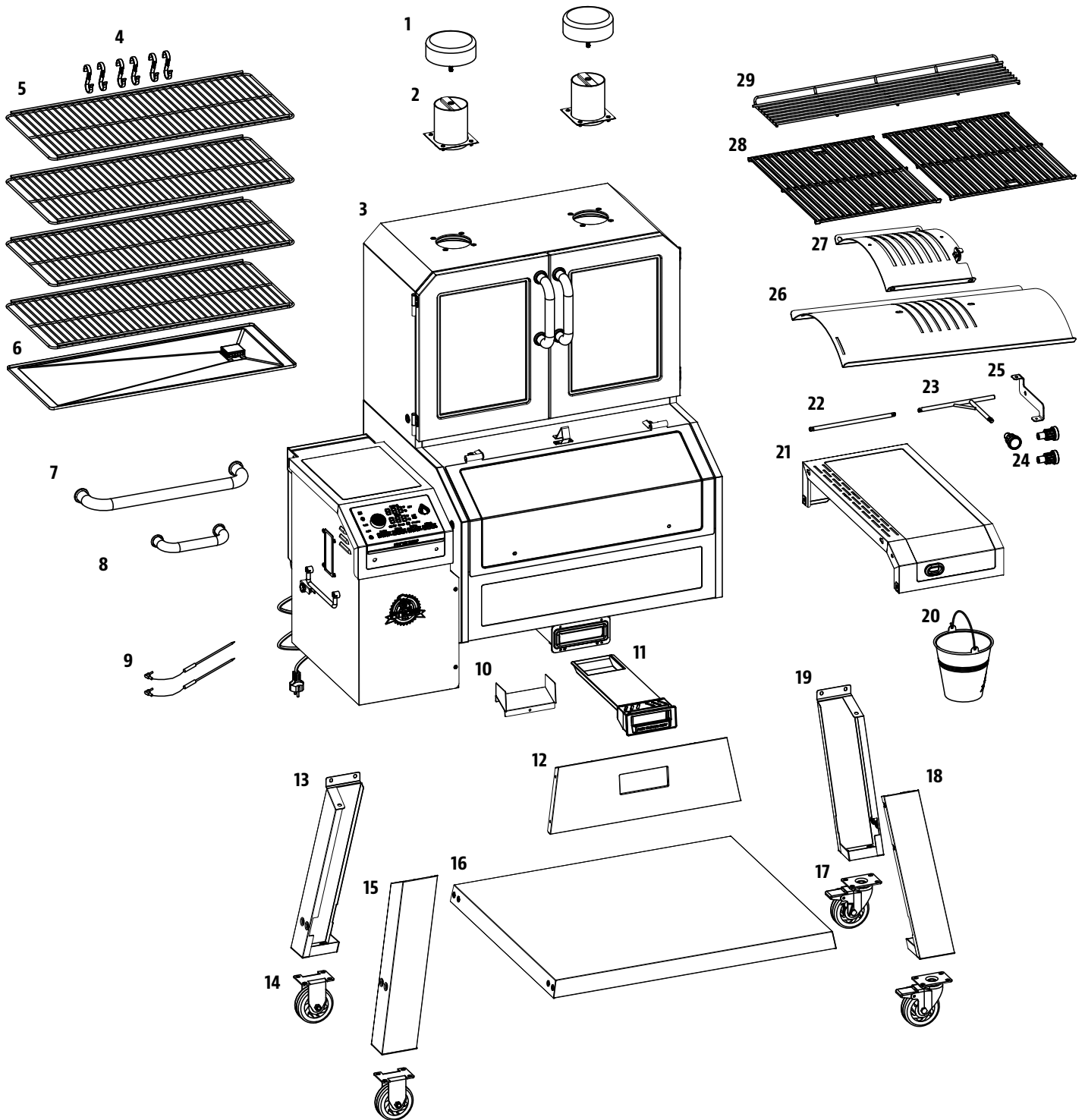
REMARQUE : En raison du développement continu du produit, les pièces peuvent être modifiées sans préavis. Contactez le service clientèle si des pièces manquent lors de l'assemblage de l'appareil.

**PB – EXIGENCES ÉLECTRIQUES**  
**120V, 60HZ, 300W, FICHE À 3 BROCHES MISE À LA TERRE**

L'illustration du diagramme à la prochaine page.

MODÈLE	UNITÉ ASSEMBLÉE (WxHxD)	POIDS DE L'UNITÉ	SURFACE DE CUISSON		GAMME DE TEMPÉRATURES	CARACTÉRISTIQUES NUMÉRIQUES	
PB	PB2180LK	1400mm x 1700mm x 780mm / 55 po x 66,9 po x 30,7 po	121 kg / 266,7 lb	Principale - 3522,6 cm <sup>2</sup> / 546 po <sup>2</sup> Grille Supérieure - 1190,6 cm <sup>2</sup> / 184 po <sup>2</sup> <b>TOTAL - 4713,2 cm<sup>2</sup> / 730 po<sup>2</sup></b>	Cuisson cubique: 0,22 m <sup>3</sup> / 7,7 ft <sup>3</sup> <b>TOTAL - 9716 cm<sup>2</sup> / 1506 po<sup>2</sup></b>	82-260°C / 180-500°F	Quatorze réglages de température, cycles de démarrage et de refroidissement, allumage électrique)
				<b>TOTAL GRILL - 14429 cm<sup>2</sup> / 2236 po<sup>2</sup></b>			

# PIÈCES ET SPÉCIFICATIONS



# PRÉPARATION DE L'ASSEMBLAGE

Les pièces se trouvent dans l'emballage, y compris sous le fumeur. Inspectez l'appareil, les pièces et l'emballage de l'équipement après avoir retiré l'emballage de protection en carton. Jeter tout le matériel d'emballage à l'intérieur et à l'extérieur du fumeur avant l'assemblage, puis inspecter et inspecter toutes les pièces en se référant à la liste de pièces. En cas de pièce manquante ou endommagée, n'essayez pas de l'assembler. Les dommages pendant le transport ne sont pas couverts par la garantie. Contactez votre revendeur ou le service clientèle Pit Boss pour les pièces: du lundi au samedi, de 4 h à 20 h, HNP (AN / FR / ES).

service@pitboss-grills.com | Ligne sans frais : 1-877-303-3134 | Télécopieur sans frais : 1-877-303-3135

**IMPORTANT : Pour faciliter l'installation, être deux personnes est utile lors de l'assemblage de cet appareil.**

Outils nécessaires pour l'assemblage : tournevis et niveau d'eau. *Outils non inclus.*



## INSTRUCTIONS D'ASSEMBLAGE

**REMARQUE : Pour toutes les étapes suivantes, ne pas serrer complètement les vis jusqu'à ce que toutes les vis de cette étape aient été installées. Une fois toutes les vis installées, serrez-les correctement. La combinaison de matériel impliquant une rondelle et une rondelle de blocage doit être installée avec la rondelle de verrouillage la plus proche de la tête de la vis.**

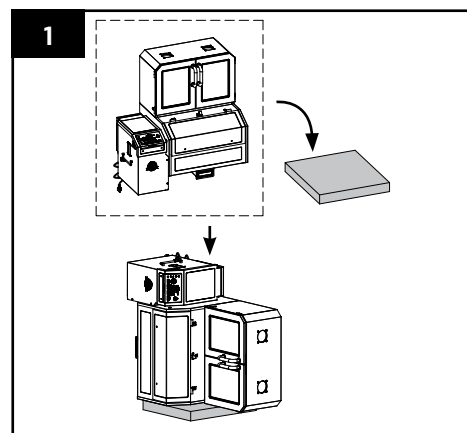
### 1. ENLEVEZ LES COMPOSANTS DE LA BOÎTE

Pièces nécessaires :

1 x Baril principal / Assemblage de la trémie (#3)

Installation:

- Ouvrez la boîte de couleur.
- Sortez tous les composants du fumeur et du foyer.
- Placez un morceau de carton mousse sur le sol pour éviter de rayer l'unité
- Déposez l'assemblage du gril principal / de la trémie sur son côté droit sur le carton mousse.



### 2. ASSEMBLAGE DES PIEDS DE SUPPORT AU GRIL

Pièces nécessaires :

1 x Pied gauche avant (#15)

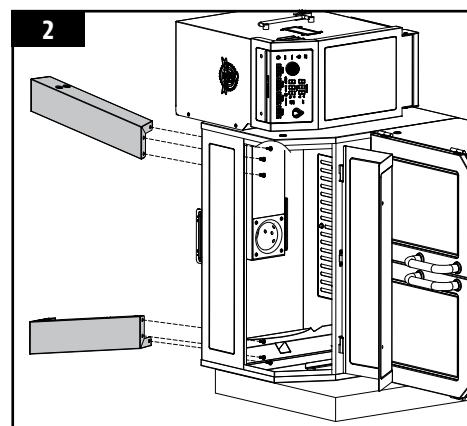
1 x Pied droit avant (#18)

1 x Baril principal / Assemblage de la trémie (#3)

6 x Vis (#A)

Installation:

- Ouvrez le couvercle du foyer.
- Montez le pied droit avant et le pied gauche avant au fond de l'assemblage du gril/de la trémie.



**REMARQUE : Vissez les vis aux pieds de support à mi-chemin afin de permettre une installation simplifiée à la prochaine étape.**

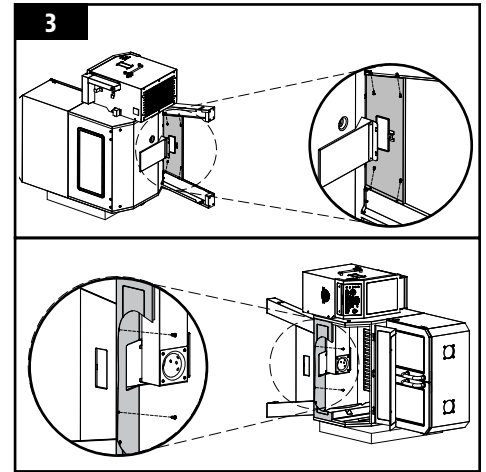
### 3. INSTALLATION DU PANNEAU AVANT AU GRIL

#### Pièces nécessaires :

- 1 x Panneau avant du chariot (#12)
- 1 x Baril principal / Assemblage de la trémie (#3)
- 4 x Vis (#C)
- 2 x Vis (#A)

#### Installation:

- Montez le panneau avant du chariot au fond de l'assemblage du grill/de la trémie.



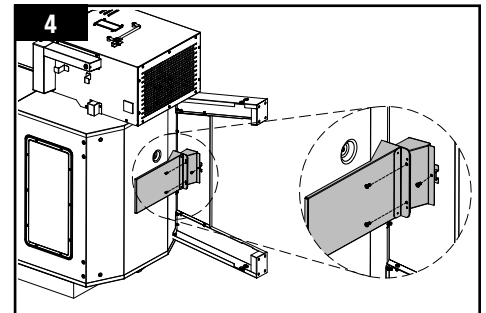
### 4. INSTALLATION DU SUPPORT POUR PLATEAU À CENDRES

#### Pièces nécessaires :

- 1 x Support du plateau à cendres (#10)
- 1 x Baril principal / Assemblage de la trémie (#3)
- 3 x Vis (#C)

#### Installation:

- Montez le support du plateau à cendres entre le fond du grill/de la trémie et le panneau avant du chariot.



### 5. FIXATION DES PIEDS DE SUPPORT AVANT À L'ÉTAGÈRE INFÉRIEURE

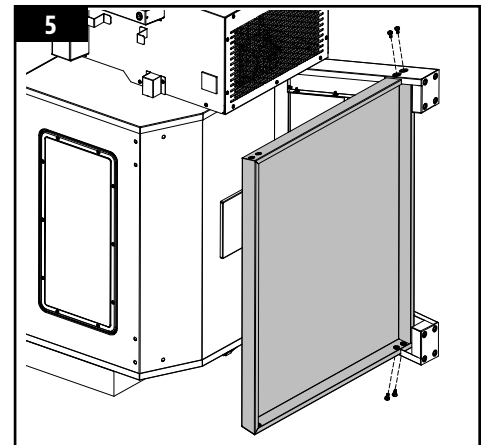
#### Pièces nécessaires :

- 1 x Étagère Inférieure (#16)
- 4 x Vis (#A)

#### Installation:

- Montez le pied droit avant et le pied gauche avant à l'étagère inférieure.

**REMARQUE : Vissez les vis aux pieds de support à mi-chemin afin de permettre une installation simplifiée à la prochaine étape.**



### 6. ASSEMBLAGE DES PIEDS DE SUPPORT ARRIÈRE AU GRIL

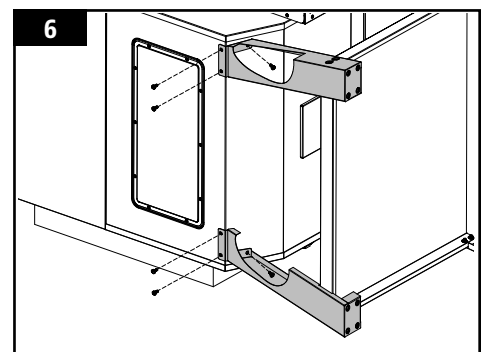
#### Pièces nécessaires :

- 1 x Pied gauche arrière (#13)
- 1 x Pied droit arrière (#19)
- 1 x Baril principal / Assemblage de la trémie (#3)
- 6 x Vis (#A)

#### Installation:

- Montez le pied droit arrière et le pied gauche arrière au fond de l'assemblage du grill/de la trémie.

**REMARQUE : Vissez les vis aux pieds de support à mi-chemin afin de permettre une installation simplifiée à la prochaine étape.**



## 7. FIXATION DES PIEDS DE SUPPORT AVANT À L'ÉTAGÈRE INFÉRIEURE

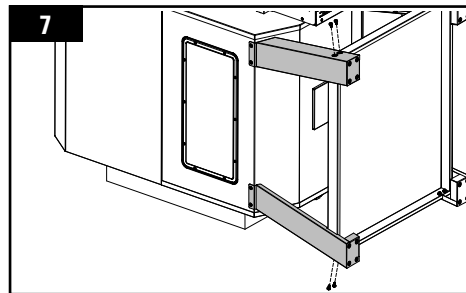
### Pièces nécessaires :

- 1 x Baril principal / Assemblage de la trémie (#3)
- 1 x Étagère Inférieure (#16)
- 4 x Vis (#A)

### Installation:

- Montez le pied droit arrière et le pied gauche arrière à l'étagère inférieure.

**REMARQUE : Une fois toutes les vis installées, serrez-les au complet dans les pieds.**



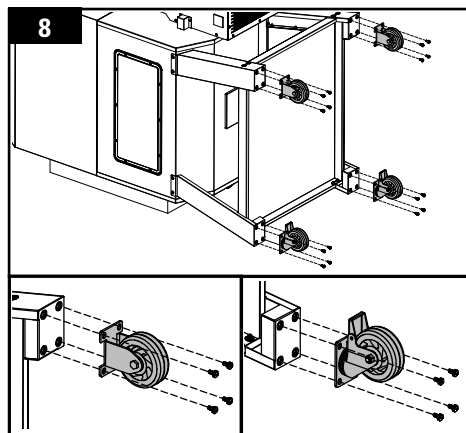
## 8. CONNEXION DES ROUES AU CHARIOT

### Pièces nécessaires :

- 1 x Baril principal / Assemblage de la trémie (#3)
- 2 x Roulette verrouillable (#17)
- 2 x Roulette (#14)
- 16 x Vis (#A)

### Installation:

- Montez les roues pivotantes sur 2 pieds gauches et verrouillez les roues pivotantes sur 2 pieds droits.



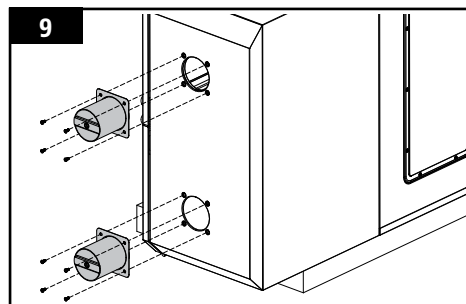
## 9. MONTAGE DE LA CHEMINÉE AU GRIL

### Pièces nécessaires :

- 2 x Cheminée (#2)
- 1 x Baril principal / Assemblage de la trémie (#3)
- 8 x Vis (#C)

### Installation:

- Montez la cheminée à l'assemblage du grill/de la trémie.



## 10. FIXATION DU COUVERCLE DE CHEMINÉE

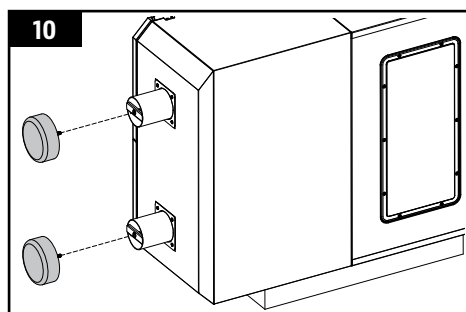
### Pièces nécessaires :

- 2 x Couvercle de cheminée (#1)

### Installation:

- Montez le couvercle de la cheminée sur la cheminée.

**REMARQUE : Ajustez le capuchon de la cheminée afin d'affecter le débit d'air situé à l'intérieur du grill principal.**



## 11. PLACER LE GRIL EN POSITION VERTICALE

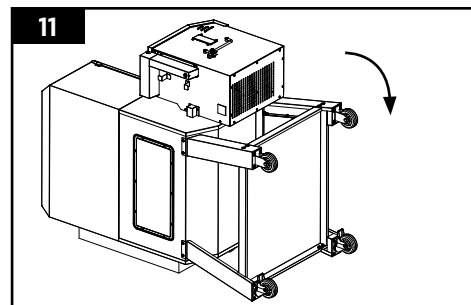
### Pièces nécessaires :

- 1 x Baril principal / Assemblage de la trémie (#3)
- 2 x Roulette verrouillable (#17)

### Installation:

- Veillez à ce que toutes les roulettes verrouillables soient verrouillées.
- Remettre le gril en position verticale (position normale d'utilisation).

**IMPORTANT : Resserrez les vis du pied de support afin de veiller à ce qu'elles soient entièrement fixées une fois que vous avez placé le gril en position verticale.**



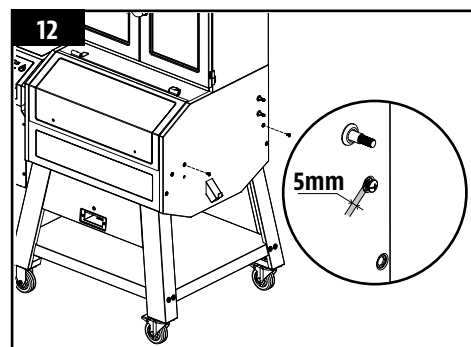
## 12. FIXATION DES VIS AU CÔTÉ DE LA CHAMBRE PRINCIPALE

### Pièces nécessaires :

- 1 x Baril principal / Assemblage de la trémie (#3)
- 2 x Vis (#B)

### Installation:

- Fixez des vis (x2) sur le côté droit de la chambre principale et laissez environ 1/4" (6,35 mm).



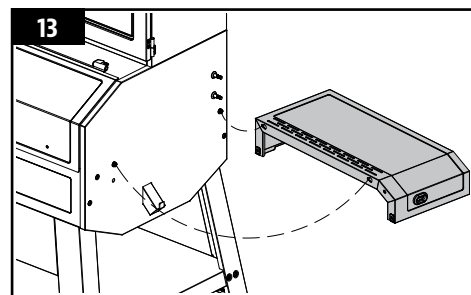
## 13. INSTALLATION DE LA TABLE LATÉRALE

### Pièces nécessaires :

- 1 x Baril principal / Assemblage de la trémie (#3)
- 1 x Table latérale (#21)

### Installation:

- Accrochez ensuite la table latérale droite sur deux vis, puis poussez-la à gauche pour qu'elle s'y assied dessus.



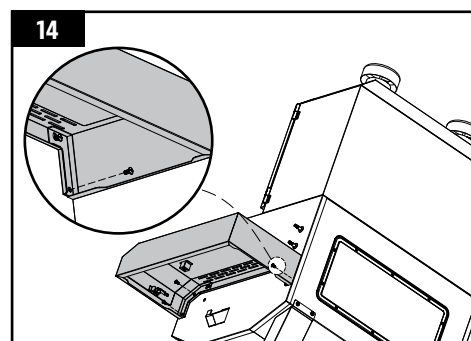
## 14. FIXATION DE LA TABLE LATÉRALE

### Pièces nécessaires :

- 1 x Baril principal / Assemblage de la trémie (#3)
- 1 x Table latérale (#21)
- 3 x Vis (#B)

### Installation:

- Serrez fermement les vis.





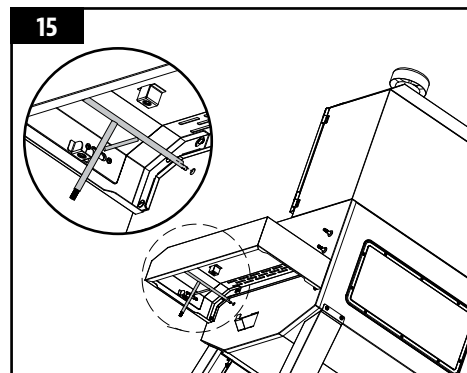
## 15. INSTALLATION DE LA POIGNÉE DU GRILLOIR SUR FLAMME (CÔTÉ DU TROU)

### Pièces nécessaires :

- 1 x Baril principal / Assemblage de la trémie (#3)
- 1 x Poignée de tirage de la chaudière glissière (#23)

### Installation:

- Insérez la poignée de tirage latérale du grilloir sur flamme/chaudière (avec le côté disposant d'un trou) dans le trou sur le panneau du côté droit de l'assemblage du gril/de la trémie.



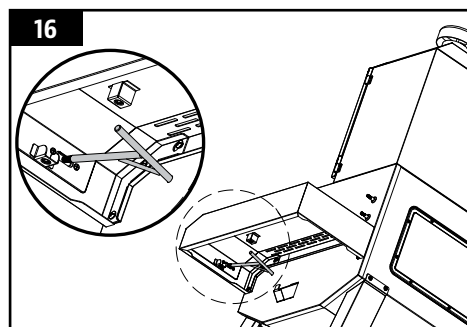
## 16. INSTALLATION DE LA POIGNÉE DU GRILLOIR SUR FLAMME (CÔTÉ DE LA POIGNÉE)

### Pièces nécessaires :

- 1 x Baril principal / Assemblage de la trémie (#3)
- 1 x Poignée de tirage de la chaudière glissière (#23)
- 1 x Table latérale (#21)

### Installation:

- Insérez la poignée de tirage de la chaudière glissière (avec le côté molette) dans le trou sur la table latérale.



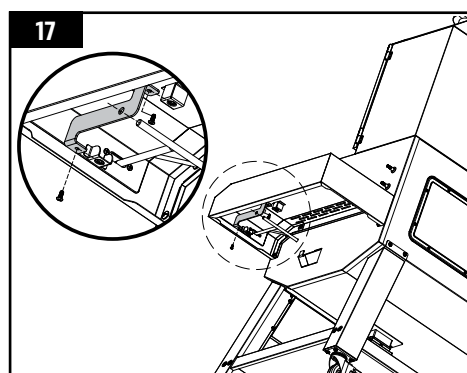
## 17. MONTAGE DE L'APPUI DE LA POIGNÉE DU GRILLOIR SUR FLAMME

### Pièces nécessaires :

- 1 x Baril principal / Assemblage de la trémie (#3)
- 1 x Support de la poignée de tirage de la chaudière glissière (#25)
- 1 x Table latérale (#21)
- 2 x Vis (#C)

### Installation:

- Montez le support de la poignée de tirage de la chaudière glissière à la table latérale.



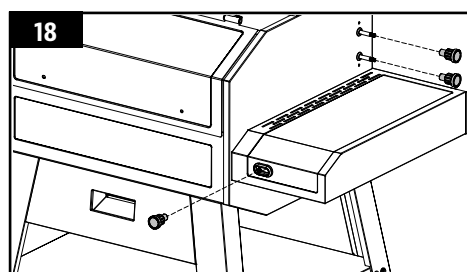
## 18. INSTALLATION DES BOUTONS/MOLLETES

### Pièces nécessaires :

- 1 x Baril principal / Assemblage de la trémie (#3)
- 3 x Mollette (#24)

### Installation:

- Montez trois boutons/molettes aux trois poignées.



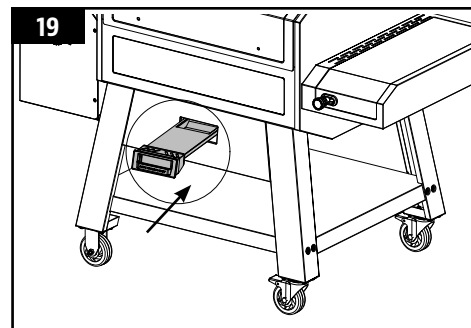
## 19. INSTALLATION DE L'ASSEMBLAGE POUR NETTOYER LES CENDRES

### Pièces nécessaires :

- 1 x Baril principal / Assemblage de la trémie (#3)
- 1 x Plateau à cendres (#11)

### Installation:

- Poussez le bac à cendres dans le support du bac à cendres.



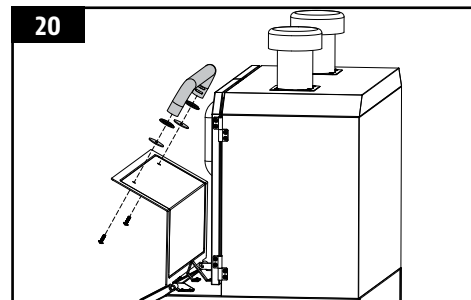
## 20. INSTALLATION DE LA POIGNÉE DU COUVERCLE DU GRIL

### Pièces nécessaires :

- 1 x Baril principal / Assemblage de la trémie (#3)
- 1 x Assemblage de la poignée du couvercle (#7)

### Installation:

- Enlevez les deux vis pré-installées de la poignée du couvercle, montez la poignée du couvercle sur le couvercle de l'assemblage du gril/de la trémie.



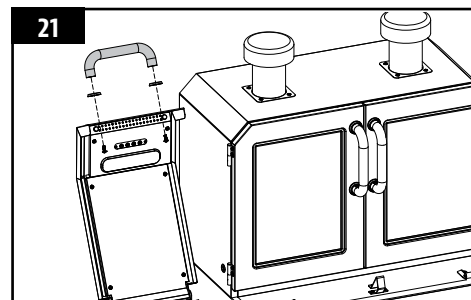
## 21. INSTALLATION DE LA POIGNÉE DU COUVERCLE DE LA TRÉMIE

### Pièces nécessaires :

- 1 x Baril principal / Assemblage de la trémie (#3)
- 1 x Ensemble de poignée de couvercle de trémie (#8)

### Installation:

- Enlevez les deux vis pré-installées de la poignée du couvercle de la trémie, montez la poignée du couvercle de la trémie sur le couvercle de l'assemblage de la trémie.



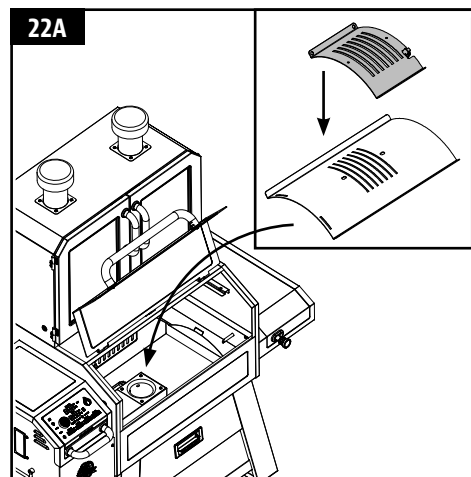
## 22. MONTAGE DES COMPOSANTS DU GRILLOIR SUR FLAMME (CHAUDIÈRE)

### Pièces nécessaires :

- 1 x Baril principal / Assemblage de la trémie (#3)
- 1 x Chaudière planche principale (#26)
- 1 x Chaudière glissière (#27)

### Installation:

- Placez la glissière de la chaudière sur la plaque principale de la chaudière, avec la languette surélevée sur le côté droit. Veillez à ce que les deux languettes sur le glisseur se placent dans les trous oblongs (de fente) de la plaque principale, en recouvrant les ouvertures à fentes. Référez-vous à l'illustration 22A.
- Insérez la plaque principale de la chaudière dans le gril principal. Reposez la plaque principale de la chaudière sur le rebord intégré (à l'intérieur à droite) du gril principal qui dirige la graisse vers le bec du seau à graisse. Faites glisser la pièce entière sur le côté gauche, et les deux fentes de la plaque principale de la chaudière vont entrer dans le rebord arrondi au-dessus du pot de combustion. Il se placera légèrement incliné vers le bas. Référez-vous à l'illustration 22B.



- Les deux pièces de la chaudière sont légèrement revêtues d'huile afin d'éviter la rouille lors de l'expédition.

**IMPORTANT :** Si la plaque principale repose sur la base du baril, elle est installée de manière incorrecte. Une mauvaise installation peut provoquer des dégâts à votre baril de grill.

## 23. INSTALLATION DE LA POIGNÉE DE LA CHAUDIÈRE GLISSIÈRE

**Pièces nécessaires :**

- 1 x Baril principal / Assemblage de la trémie (#3)
- 1 x Chaudière planche principale (#26)
- 1 x Chaudière glissière (#27)
- 1 x Connecteur de la poignée de tirage de la chaudière glissière (#22)
- 1 x Poignée de tirage de la chaudière glissière (#23)
- 1 x Vis (#D)

**Installation:**

- Déverrouillez la languette surélevée, faites glisser l'extrémité dentelée du connecteur de la poignée de tirage de la chaudière glissière dans la languette surélevée de la glissière chaudière, et serrez le connecteur de la poignée de tirage de la chaudière glissière avec une seule vis, vous procurant ainsi un accès ajustable à la glissière de la plaque principale.

**REMARQUE :** Lorsque la glissière de la chaudière est ouverte, et que la flamme directe est utilisée pendant la cuisson, ne laissez pas le grill sans surveillance pendant une période quelconque.

## 24. INSTALLATION DES COMPOSANTS DE CUISSON

**Pièces nécessaires :**

- 1 x Baril principal / Assemblage de la trémie (#3)
- 2 x Grilles de cuisson en fonte revêtue de porcelaine (#28)
- 1 x Grille à chauffage en fonte revêtue de porcelaine (#29)

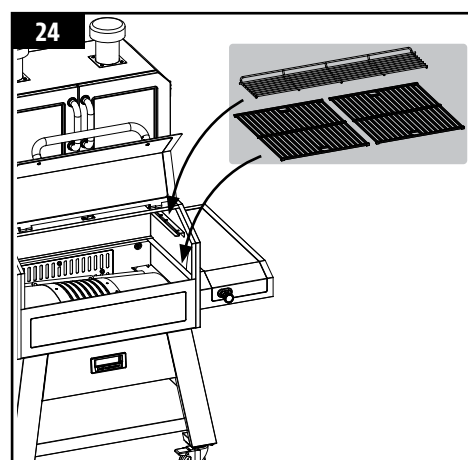
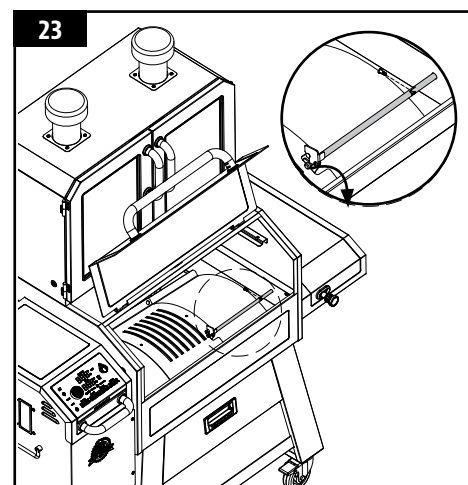
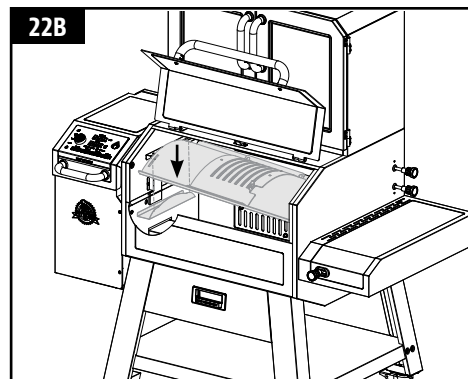
**Installation:**

- Placez les grilles de cuisson, côte à côte, sur le rebord de la grille à l'intérieur du grill principal.
- Placez la grille de réchaud supérieure sur le rebord supérieur à l'intérieur du grill principal. La grille de réchaud se verrouillera en place.

**REMARQUE :** Pour maintenir les performances abrasives et de grillage de vos grilles de cuisson, des soins et un entretien régulier sont nécessaires.

## 25. INSTALLATION DES COMPOSANTS DE CUISSON DU FUMEUR

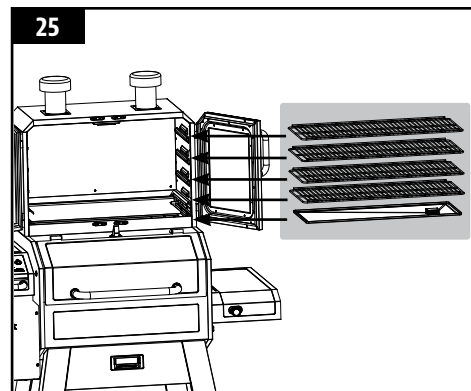
**Pièces nécessaires :**



- 1 x Baril principal / Assemblage de la trémie (#3)
- 4 x Grille de cuisson du fumoir (#5)
- 1 x Plateau à graisse (#6)

**Installation:**

- Fermez le couvercle de la chambre principale.
- Ouvrez la porte du fumoir.
- Du bas vers le haut, placez 1 morceau du plateau à graisse et 4 morceaux de la grille de cuisson du fumoir.



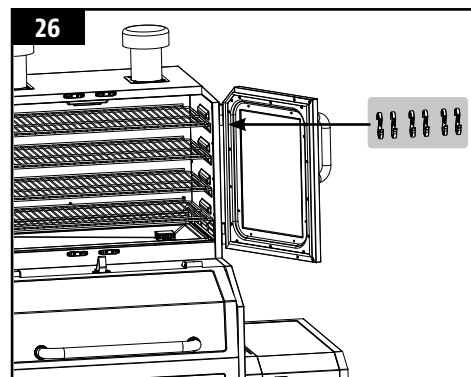
**26. INSTALLATION DES CROCHETS À VIANDE**

**Pièces nécessaires :**

- 1 x Baril principal / Assemblage de la trémie (#3)
- 6 x Crochets à viande en « S » (#4)
- 4 x Grille de cuisson du fumoir (#5)

**Installation:**

- Accrochez le crochet à viande en « S » sur la grille de cuisson du fumoir, selon votre choix.



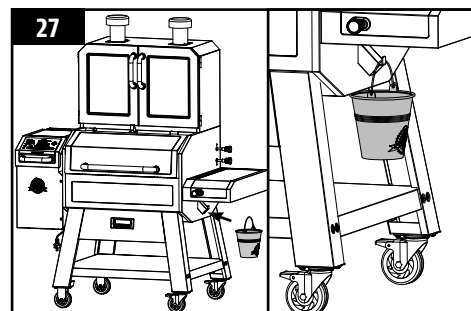
**27. INSTALLATION DU SEAU DE GRAISSE**

**Pièces nécessaires :**

- 1 x Baril principal / Assemblage de la trémie (#3)
- 1 x Seau de graisse (#20)

**Installation:**

- Accrochez le seau à graisse sous la table latérale droite.
- L'unité est maintenant entièrement assemblée.



**28. CONNEXION À UNE SOURCE D'ALIMENTATION**

**REMARQUE :** Avant de brancher votre Pit Boss dans une prise électrique,

**assurez-vous que la molette de température est en position OFF.**

- **PRISE STANDARD**

Cet appareil nécessite un voltage de 110 volts, 60hz, 300w, 5 ampères. Il doit utiliser une fiche de mise à la terre à 3 broches. Assurez-vous que la mise à la terre n'est pas rompue avant utilisation. Le contrôle utilise un fusible à action rapide de 5 ampères et 120 volts pour protéger le panneau de l'allumeur.

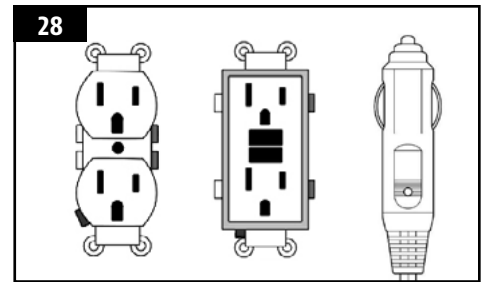
- **LES PRISES GFCI**

Cet appareil fonctionnera sur la plupart des prises GFCI, avec une taille recommandée de 15 ampères. Si votre prise GFI est très sensible aux surtensions, elle sera probablement touchée par un court-circuit pendant la phase d'allumage. Pendant la phase d'allumage, l'allumeur nécessite entre 200 et 700 watts de tension, ce qui peut représenter trop de puissance pour une prise GFI. La qualité du GFCI n'a pas d'importance, mais plutôt la sensibilité; Chaque fois qu'il y a une surtension, il augmente sa sensibilité. Si le GFCI continue de sauter, remplacez la prise ou passez à une prise non GFCI.

- **SUR LA ROUTE**

Débranchez l'allumeur du faisceau de câbles principal. Utilisez la procédure de démarrage manuelle. Une unité Pit Boss peut fonctionner en utilisant un onduleur de 12 volts et 100 watts branché sur votre prise automobile. Pour utiliser l'allumeur automatique, il est recommandé d'utiliser au minimum un onduleur de 1000 watts.

**IMPORTANT: Débranchez l'appareil de la source d'alimentation lorsqu'il n'est pas utilisé.**



# MODE D'EMPLOI

*Avec le style de vie actuel pour s'efforcer de manger des aliments sains et nutritifs, un facteur à considérer est l'importance de réduire la consommation de graisse. L'une des meilleures façons de réduire les graisses dans votre régime alimentaire est d'utiliser une méthode de cuisson faible en matières grasses, tel que le grill. Comme une grille à granulés utilise des granulés de bois naturels, la saveur de bois savoureux est cuite dans les viandes, ce qui réduit le besoin de sauces à haute teneur en sucre. Tout au long de ce manuel, vous remarquerez l'accent mis sur le grillage des aliments lentement aux réglages de température FAIBLE ou MOYENNE.*

## ENVIRONNEMENT DU GRIL

### 1. OÙ INSTALLER LE GRILL

Avec tous les appareils extérieurs, les conditions météorologiques extérieures jouent un rôle important dans la performance de votre grill et le temps de cuisson nécessaire pour parfaire vos repas.

Toutes les unités Pit Boss devraient garder un dégagement minimum de 305 mm (12 pouces) des constructions combustibles, et cette distance doit être maintenue pendant la cuisson. Cet appareil ne doit pas être placé sous un plafond ou un surplomb combustible. Gardez votre grill dans une zone dégagée et exempte de matières combustibles, d'essence et d'autres vapeurs et liquides inflammables.

### 2. CUISINER PAR TEMPS FROIDS

Lorsqu'il commence à faire plus frais à l'extérieur, cela ne signifie pas que la saison des grillades est terminée! L'air frais et l'arôme divin des aliments fumés aideront à guérir votre blues d'hiver.

Suivez ces suggestions sur la façon de profiter de votre grill pendant les mois les plus frais:

- Si le fumage à basse température échoue, augmentez légèrement la température pour obtenir les mêmes résultats.
- Organisez – Préparez tout ce dont vous avez besoin dans la cuisine avant de vous diriger à l'extérieur. Pendant l'hiver, déplacez votre grill dans un endroit protégé du vent et du froid. Vérifiez les règlements locaux concernant la proximité de votre grill par rapport à votre maison et/ou autres constructions. Mettez tout ce dont vous avez besoin sur un plateau, emballez et lancez-vous!
- Pour suivre la température extérieure, placez un thermomètre extérieur près de votre zone de cuisson. Gardez un journal ou un historique de ce que vous avez préparé, de la température extérieure et du temps de cuisson. Cela sera utile plus tard pour vous aider à déterminer ce qu'il faut cuisiner et combien de temps cela prendra.
- Par temps très froid, augmentez votre temps de préchauffage d'au moins 20 minutes.
- Évitez de soulever le couvercle du grill plus que nécessaire. Les rafales de vents froids peuvent refroidir complètement la température de votre grill. Soyez souple quant au moment de servir; ajoutez environ 10 à 15 minutes de plus à la cuisson à chaque fois que vous ouvrez le couvercle.
- Ayez un plateau chauffé ou un couvercle de plat prêt à garder votre nourriture au chaud tout en faisant le voyage à l'intérieur.
- Les aliments idéaux pour la cuisine d'hiver sont ceux qui nécessitent peu d'attention, comme les rôtis, les poulets entiers, les côtes et la dinde. Rendez votre préparation de repas encore plus facile en ajoutant des éléments simples comme les légumes et les pommes de terre.

### 3. CUISINER PAR TEMPS CHAUDS

À mesure qu'il fait plus chaud à l'extérieur, le temps de cuisson diminue.

Suivez ces suggestions sur la façon de profiter de votre grill pendant les mois chauds:

- Ajustez à la baisse vos températures de cuisson. Cela permet d'éviter les poussées indésirables.
- Utilisez un thermomètre à viande pour déterminer la température interne de vos aliments. Ceci permet d'éviter que votre viande ne soit trop cuite ou se dessèche.
- Même par temps chaud, c'est mieux de cuisiner en gardant le couvercle de votre grill baissé.
- Vous pouvez garder vos aliments chauds au chaud en les enveloppant dans du papier aluminium et en les plaçant dans une glacière isolée. Placez du papier journal froissé autour du papier aluminium et cela tiendra la nourriture chaude pendant 3 à 4 heures.

## GAMMES DE TEMPÉRATURE DU GRIL

Les lectures de température sur le panneau de contrôle peuvent ne pas correspondre exactement au thermomètre. Toutes les températures indiquées ci-dessous sont approximatives et sont affectées par les facteurs suivants: la température ambiante extérieure, la quantité et la direction du vent, la qualité du combustible à granulés utilisé, le couvercle ouvert et la quantité de nourriture en cours de cuisson.

- **TEMPÉRATURES ÉLEVÉES (205-260°C / 401-500°F)**

Cette gamme est de préférence utilisée pour sécher et griller à haute température. Utiliser en tandem avec la chaudière (plateau latéral) pour une cuisson indirecte ou directe de la flamme. Lorsque **la chaudière est ouverte**, la flamme directe est utilisée pour créer ces steaks « blue » ainsi que des légumes à la flamme, des toasts à l'ail ou même des s'mores! Lorsque **la chaudière est fermée**, l'air circule autour du baril ce qui conduit à une chaleur de convection. La température élevée est également utilisée pour préchauffer votre gril, brûler les grilles de cuisson et obtenir un feu vif par froid extrême..

- **TEMPÉRATURE MOYENNE (135-180°C / 275-356°F)**

Cette gamme est idéale pour cuire au four, rôtir et terminer votre création à fumaison lente. La cuisson à ces températures réduira considérablement les risques de poussée de graisse. Assurez-vous que la grille de chaudière est en position fermée, couvrant les ouvertures à fente. Excellente gamme pour cuisiner n'importe quoi enveloppé dans du bacon, ou où vous voulez une polyvalence avec contrôle.

- **BASSE TEMPÉRATURE (80-125°C / 176-257°F)**

Cette gamme permet rôtir lentement, d'augmenter la saveur fumée et de garder les aliments au chaud. Infusez plus de saveur fumée et gardez vos viandes juteuses en cuisinant plus longtemps à une température plus basse (également connu sous le nom de **faible et lent**). Il est recommandé pour la grande dinde pour Thanksgiving, jambon juteux à Pâques, ou l'immense fête de Noël.

Le fumage est une variation de vrai barbecue et est vraiment le premier avantage de la cuisson sur un gril à pastilles de bois. **Le fumage à chaud**, un autre nom pour la cuisson **faible et lente**, se fait généralement à 82-122°C / 180-250°F. Le fumage à chaud fonctionne mieux lorsqu'un temps de cuisson plus long est nécessaire, comme pour les grandes coupes de viande, de poisson ou de volaille.

## GAMMES DE TEMPÉRATURE DU FUMOIR

- **HAUTE TEMPÉRATURE (190-215°C / 375-419°F)**

Cette gamme de températures est utilisée pour griller à feu vif, sans aucun contact avec la flamme. La température élevée est également utilisée comme température de combustion pour nettoyer les grilles de cuisson après utilisation. En outre, une chaleur élevée peut être utilisée dans des conditions de froid extrême pour compenser le contraste des températures entre l'extérieur et l'intérieur de l'unité.

- **TEMPÉRATURE MOYENNE (135-177 °C / 275-350 °F)**

Cette gamme de températures est idéale pour cuire au four, rôtir et terminer votre création à fumaison lente. La cuisson à ces températures réduira considérablement les risques de poussée de graisse. Excellente gamme pour cuisiner n'importe quoi enveloppé dans du bacon, ou où vous voulez une polyvalence avec contrôle.

- **BASSE TEMPÉRATURE (65-122°C / 150-250°F)**

Cette gamme de températures permet de rôtir lentement, d'augmenter la saveur fumée et de garder les aliments au chaud. Infusez plus de saveur fumée et gardez vos viandes juteuses en cuisinant plus longtemps à une température plus basse (également connu sous le nom de **faible et lent**). Hautement recommandé pour la grande dinde de Thanksgiving, le jambon juteux à Pâques, ou l'immense fête de Noël.

Le fumage est une variation de vrai barbecue et est vraiment le premier avantage d'un fumoir. Il existe deux types de fumage : le fumage à chaud et le fumage à froid.

- **Le fumage à chaud**, un autre nom pour la cuisson **faible et lente**, se fait généralement à 82-122° C / 180-250° F. Le fumage à chaud fonctionne mieux lorsqu'un temps de cuisson plus long est nécessaire, comme pour les grandes coupes de viande, de poisson ou de volaille.
- **Le fumage à froid** se fait quand les aliments se situent tellement loin du feu qu'ils fument sans cuire, et à des températures allant de 15°C à 32°C (60°F à 90°F).

**CONSEIL: Pour intensifier cette saveur salée, passez à la température de fumée (basse) immédiatement après avoir mis vos aliments sur le gril. Cela permet à la fumée de pénétrer dans les viandes.**







La clé consiste à expérimenter le temps que vous autorisez à fumer, avant que le repas ne soit cuit. Certains chefs de plein air préfèrent fumer à la fin d'une cuisson, ce qui permet à la nourriture de rester au chaud jusqu'à ce qu'elle soit prête à être servie. La pratique rend parfait!

## COMPRENDRE LE TABLEAU DE CONTRÔLE



BOUTON	DESCRIPCIÓN
	Lorsque l'appareil est branché à une source d'alimentation, le bouton d'alimentation s'allumera (blanc). Appuyez sur le bouton <b>Power</b> (Alimentation) pour allumer l'unité. Appuyez et tenez enfoncé le bouton pendant au moins 2 secondes pour éteindre / mettre l'unité hors tension.
 350°F ACT SET 350°C ACT SET	Le <b>cadran de réglage des températures</b> vous permet de configurer la température du gril de votre choix. Une fois que vous avez connecté l'appareil à une source d'alimentation et que vous avez appuyé sur le bouton Power (Alimentation). Appuyez et tournez le cadran (lorsque « <b>SET</b> » est sélectionné, comme affiché dans l'image 2) pour sélectionner l'une des treize températures pré-réglées, entre 65-260°C / 150-500°F. Appuyez encore sur le bouton pour verrouiller votre température pré-réglée et revenir à la <b>Température réelle du gril</b> (Comme affiché dans l'image 3). Si, à tout moment au cours du processus de cuisson, vous souhaitez vérifier votre température pré-réglée, appuyez tout simplement sur le bouton.
°F / °C	Le bouton du <b>commutateur de température</b> est utilisé pour changer la lecture de température sur l'écran LCD. Appuyez le bouton pour passer de la température en Celsius (°C) à Fahrenheit (°F), au choix. L'affichage par défaut est en Fahrenheit.
	Le bouton « ampoule » vous permet d'allumer ou d'éteindre la lumière à l'intérieur du gril ( <i>dans l'aire de cuisson</i> ).
	L'icône « <b>Smoke it®</b> » affiche la connexion entre votre gril et votre téléphone via Bluetooth® afin que vous puissiez obtenir des mises à jour en temps réel au sujet de la température réelle du gril et des températures de la sonde à viande (thermique). Il vous permet également de régler la température de votre gril. <small>La marque et le logo Bluetooth® sont des marques déposées appartenant à Bluetooth SIG, Inc. et toute utilisation de ces marques par Espressif est soumise à une licence. Les autres marques et noms commerciaux appartiennent à leurs propriétaires respectifs.</small>
 GRILL 350°F 350°C	<b>L'écran LCD</b> sert de centre d'information pour votre unité. L'écran LCD affichera la température de cuisson de votre choix, la température de cuisson réelle, et la température de la sonde thermique (si branchée). Si une seule sonde à viande est connectée, une seule lecture sera affichée. L'écran de visualisation de votre température réglée en forme d'icône de flammes. Il affiche également l'unité de température, en °F/°C.
PRIME AMORÇAGE	Appuyez sur le <b>bouton Prime</b> et maintenez-le appuyé afin d'activer une alimentation supplémentaire de pastilles dans le pot de combustion. Ceci peut être utilisé pour ajouter plus de carburant juste avant d'ouvrir le couvercle du gril, permettant ainsi d'obtenir un temps de récupération de la chaleur plus rapide. Ceci peut également être utilisé lors du fumage pour augmenter l'intensité du goût de fumé. Demandé par la concurrence.
ACT RÉE	« <b>ACT</b> » affiche la température actuelle de votre gril à ce moment précis. Appuyez sur le cadran une fois pour passer de « SET » à « ACT ». Par défaut, l'écran LCD affiche « ACT ».



<b>SET RÉG</b>	<p>“SET” affiche l'une des 13 valeurs de température pré-réglée du gril. Appuyez sur le cadran une fois pour passer de « ACT » à « SET ».</p>
	<p>L'icône « <b>Flamme</b> » affiche la température réglée, l'intensité de l'icône de flamme change lorsque vous passez de 250 à 350 et 450°F indiquant différentes plages de température.</p>
	<p>L'icône « <b>Vis sans fin</b> » affiche l'allumage de votre moteur de la vis sans fin. Ce symbole clignotera parfois et l'écran LCD affiche « Err » indiquant que la vis sans fin ne fonctionne pas.</p>
	<p>L'icône « <b>Allumeur</b> » affiche l'allumage de vos granulés. Si ce symbole clignote et que l'écran LCD affiche « Err », ceci signifie que votre allumeur ne fonctionne pas.</p>
	<p>L'icône « <b>Ventilateur</b> » affiche l'allumage de votre ventilateur. Si ce symbole clignote et que l'écran LCD affiche « Err », ceci signifie que votre ventilateur ne fonctionne pas.</p>
<b>NO PELLETS AUCUN GRANULÉ</b>	<p>L'icône est activée lorsque vous êtes à court de granulés.</p>
	<p>Le port de connexion/de raccordement derrière le couvercle de la trémie est réservé pour la <b>Sonde à viande (thermique)</b>. Lorsqu'une sonde thermique est connectée, la température s'affiche sur l'écran LCD. Lorsqu'elle ne sert pas, débranchez la sonde thermique du port de connexion. Il y a 4 ports de sonde thermique (à viande). <i>Uniquement compatible avec les sondes thermiques de la marque Pit Boss®. Sonde(s) thermique(s) additionnelle(s) vendue(s) séparément.</i></p> 

## CONNEXION À L'APPLICATION SMOKE IT®

Suivez ces instructions pour connecter votre barbecue à l'application Smoke iT® avec votre appareil Android™ ou iOS®. L'application vous permettra de contrôler et de surveiller les températures de votre gril et de votre sonde à viande depuis votre appareil mobile. Profitez des avantages de la connectivité mobile Smoke IT®!

1. Téléchargez l'application Smoke iT®. Ouvrez l'application et autorisez l'activation de Bluetooth® pour la configuration. Les nouveaux utilisateurs devront créer un compte et suivre les invites pour se connecter.
2. Si vous êtes à portée Bluetooth® (9 m / 30 pieds), l'application Smoke iT® détectera automatiquement votre gril. Sélectionnez votre modèle de gril. Si vous ne voyez pas votre gril sur l'écran, assurez-vous que votre appareil est connecté à une source d'alimentation et qu'il est allumé.
3. Nommez votre modèle de gril (par exemple, mon fumeur) dans l'application et sélectionnez "Connecter" en bas de l'écran. Cela enregistrera votre modèle de gril dans le menu des appareils.
4. Dans le menu des appareils, cliquez sur le modèle de gril à connecter. Cela vous montrera l'écran du panneau de contrôle.
5. Cliquez sur l'option des paramètres (engrenage) dans le coin supérieur droit, entrez vos informations d'identification Wi-Fi, puis cliquez sur la coche en bas de l'écran pour vous connecter. Désormais, les icônes Bluetooth® et Wi-Fi (nuage) s'affichent dans le menu des appareils, indiquant que le gril est connecté.

**Lors de l'utilisation de l'application, l'écran brillera lorsque le gril est actif et connecté. Si l'écran ou le gril de l'application s'assombrit dans le menu des appareils, vérifiez votre connexion sans fil ou votre source d'alimentation.**

## COMPRENDRE LES SONDÉS

### • SONDE DE TEMPÉRATURE

Située à l'intérieur du côté des granulés du gril, sur le mur côté gauche. Il s'agit d'une petite pièce verticale en acier inoxydable. La sonde de température mesure la température interne du gril. La température obtenue à partir de la sonde est affichée comme « ACT » sur l'écran LCD.

**IMPORTANT: La température de votre appareil est fortement affectée par les conditions ambiantes extérieures, la qualité des pastilles utilisées, la saveur des pastilles et la quantité de nourriture cuite.**

### • SONDE THERMIQUE

La sonde thermique mesure la température interne de votre viande dans le gril, de la même façon que votre four de cuisine. Branchez l'adaptateur de sonde thermique au port de connexion de la sonde thermique sur le Panneau de commande et insérez la sonde thermique en acier inoxydable dans la portion la plus épaisse de votre viande et la température s'affichera sur le panneau de

commande. Les températures obtenues à partir de la sonde sont affichées comme Sonde (no.). **Pour vous assurer que la sonde à viande est correctement connectée au port de connexion, sentez-la et entendez-la s'enclencher.**

**REMARQUE : Lorsque vous placez la sonde thermique dans votre viande, assurez-vous que la sonde thermique et les fils de la sonde n'entrent pas en contact direct avec les flammes ou l'excès de chaleur. Ceci pourrait endommager votre sonde thermique. Faites passer les câbles à travers les trous d'échappement arrière du barbecue principal, la partie supérieure du barbecue principal (à côté de la charnière du couvercle du barbecue) ou à travers le trou avant situé près de la trémie. Lorsqu'elle ne sert pas, débranchez-la du port de connexion de la sonde thermique et placez-la dans les trous situés sur la poignée de la trémie pour la maintenir propre et protégée.**

## PROCÉDURE D'AMORÇAGE DE LA TRÉMIE

These instructions should be followed the first time the grill is ignited, and each time the grill runs out of pellets in the hopper. The auger must be primed to allow pellets to travel through the length of the auger, and fill the fire pot. **If not primed, the igniter will timeout before the pellets are ignited, and no fire will start.** Follow these steps to prime the hopper:

1. Ouvrez le couvercle de la trémie. Veillez à ce qu'il n'y ait pas d'objets étrangers dans la trémie ou dans la vis sans fin.
2. Retirez tous les composants de cuisson de l'intérieur du gril. Localisez le pot de combustion au fond du gril à granulés.
3. Branchez le cordon d'alimentation dans une source d'alimentation. Appuyez sur le **bouton Power** (Alimentation) pour allumer l'unité, et réglez le **cadran de réglage de la température** sur la position SMOKE. Vérifiez les éléments suivants :
  - Vous pouvez entendre la vis sans fin tourner. Placez votre main au-dessus du pot de combustion et sentez s'il y a un mouvement d'air. Ne placez pas votre main ou vos doigts dans le pot de combustion. Ceci peut provoquer des blessures.
  - Après environ une minute, vous devriez sentir l'allumeur brûler et commencer à sentir l'air qui devient plus chaud dans le pot de combustion. Le bout de l'allumeur ne deviendra pas rouge mais sera extrêmement chaud et brûlera. Ne touchez pas l'allumeur.
4. Une fois que vous avez vérifié que tous les composants électriques fonctionnent correctement, appuyez et maintenez enfoncé le **bouton Power** (Alimentation) pendant 2 secondes pour éteindre l'unité.
5. Remplissez la trémie avec des granules de bois de barbecue naturel.
6. Appuyez sur le **bouton Power** (Alimentation) pour allumer l'unité. Assurez-vous que le **cadran de réglage de la température** est sur la position SMOKE. Appuyez sur le **bouton Prime** et maintenez-le enfoncé jusqu'à ce que vous voyiez des granulés à l'intérieur du gril depuis la vis sans fin. Une fois que les granulés commencent à tomber dans le pot de combustion, relâchez le **bouton Prime**.
7. Appuyez et maintenez enfoncé le **bouton « Power »** (Alimentation) pendant 2 secondes pour éteindre l'unité.
8. Réinstallez les composants de cuisson à l'intérieur. Le gril est maintenant prêt à l'emploi.

## PREMIÈRE UTILISATION – COMBUSTION INITIALE

Une fois que votre trémie a été amorcée et avant de cuisiner sur votre gril pour la première fois, il est important de compléter un « burn off » du gril. Démarrez le gril et faites-le fonctionner à n'importe quelle température supérieure à 176 °C / 350 °F (avec le couvercle fermé) pendant 30 à 40 minutes pour brûler le gril et le débarrasser de toute matière étrangère.

**REMARQUE : Au cours du cycle de démarrage, veillez à ce que les boutons/molettes de la chaudière glissière soient poussés vers l'intérieur et que les événements soient fermés. Ceci vous permettra d'atteindre des températures plus élevées dans la section du baril principal.**

## PROCÉDURE DE DÉMARRAGE AUTOMATIQUE

1. Branchez le cordon d'alimentation dans une source d'alimentation mise à la terre. Ouvrez le couvercle du baril principal. Vérifiez la grille de combustion pour s'assurer qu'il n'y a pas d'obstruction pour un allumage correct. Ouvrez le couvercle de la trémie. Veillez à ce qu'il n'y ait pas d'objets étrangers dans la trémie ou le système d'alimentation. Remplissez la trémie de granulés de bois dur pour bbq sèches et 100 % naturelles.
2. Assurez-vous que le **cadran de réglage de la température** est sur la position SMOKE. Appuyez sur le **bouton Power** (Alimentation) pour allumer l'unité. Cela active le cycle de démarrage. Le système d'alimentation de vis sans fin commencera

à tourner, l'allumeur commencera à s'allumer et le ventilateur fournira de l'air au pot de combustion. Votre gril commencera à produire de la fumée pendant que le cycle de mise en marche se déroule. Le couvercle du baril doit rester ouvert pendant le cycle de démarrage. Pour confirmer que le cycle de démarrage a commencé correctement, écoutez un rugissement torché et notez que de la chaleur est produite.

3. Une fois que la fumée blanche épaisse s'est dissipée, le cycle de démarrage est terminé. Configurez la température de cuisson que vous souhaitez!

### IGNITER FAILURE PROCEDURE

**If for any reason your electric igniter fails or your grill's flame dies out during a cook, check the following steps, or start your grill using the manual method.**

1. Appuyer et maintenir enfoncé le bouton « Power » (Alimentation) pendant 3 secondes pour éteindre le gril. Ouvrez le gril et laissez-le se refroidir pendant quelques minutes. Retirez les composants de cuisson de l'intérieur ainsi que toutes les pastilles et cendres du pot de combustion. Soyez vigilant car les pastilles peuvent être encore trop chaudes même lorsque le gril s'est refroidi. Évitez de toucher l'allumeur pour éviter les blessures, car il sera extrêmement chaud.
2. Après avoir enlevé et nettoyé les composants de cuisson, appuyez sur le **bouton « Power »** (Alimentation) pour allumer l'unité. Réglez le bouton de température à « **Smoke** » (Fumée). Vérifiez ce qui suit :
  - Confirmez visuellement que l'allumeur fonctionne en plaçant votre main au-dessus du pot de combustion et en sentant s'il émet de la chaleur.
  - Confirmez visuellement que l'allumeur dépasse environ 13 mm / 0,5 pouces dans le pot de combustion.
  - Confirmez visuellement que la vis sans fin fait tomber des granulés dans le pot de combustion.
  - Confirmez que le ventilateur de combustion fonctionne en écoutant le grondement produit.
3. Si l'un des points ci-dessus ne fonctionne pas, suivez les instructions de **dépannage**.

### PROCÉDURE DE DÉMARRAGE MANUELLE

1. Assurez-vous que le **cadran de réglage de la température** est sur la position **SMOKE**. Branchez le cordon d'alimentation dans une source d'alimentation mise à la terre.
2. Vérifiez le pot de combustion pour s'assurer qu'il n'y a pas d'obstruction pour un allumage correct. Ouvrez le couvercle de la trémie. Veillez à ce qu'il n'y ait pas d'objets étrangers dans la trémie ou le système d'alimentation. Remplissez la trémie avec des granulés de bois de barbecue naturels et secs.
3. Ouvrez le couvercle du baril. Retirez les composants de cuisson pour exposer le pot de combustion. Déposez une poignée généreuse de granulés dans le pot de combustion. Jetez un démarreur à froid gélifié, ou un autre démarreur approprié, sur le dessus des granulés. Une petite quantité d'allume feu de combustibles solides, comme par exemple composé de sciure de bois et de cire, ou des copeaux de bois, est également appropriée. Ajoutez une autre petite quantité de granulés dans le pot de combustion

**REMARQUE : Ne pas utiliser d'alcool, d'essence, de pétrole, d'essence à briquet ou du kérosène pour allumer ou faire reprendre un feu dans votre gril.**

4. Allumez le contenu de la grille de combustion à l'aide d'une longue allumette ou d'un briquet à nez long. Laissez l'allume-feu brûler pendant 3 à 5 minutes. N'essayez pas d'ajouter plus d'allume-feux dans la grille de combustion. Ceci peut provoquer des blessures.
5. Remplacez rapidement et soigneusement les composants de cuisson à l'intérieur du gril puis fermez le couvercle du gril. Continuez le démarrage en suivant l'étape deux de la **procédure de démarrage automatique**.

### ÉTEINDRE VOTRE GRIL

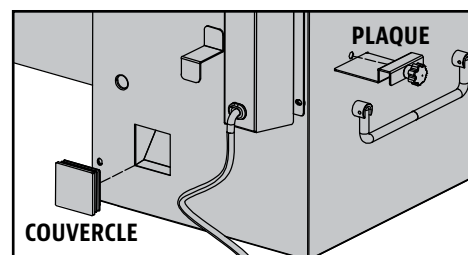
1. Une fois la cuisson terminée, le couvercle du baril principal restant fermé, appuyez sur le **bouton d'alimentation** pour éteindre l'appareil. Cela activera le **cycle de refroidissement automatique**. Le système d'alimentation cessera d'alimenter le carburant, la flamme s'éteindra et le ventilateur continuera de fonctionner jusqu'à la fin du cycle de refroidissement. Une fois le cycle terminé, le ventilateur s'arrête.

# ENTRETIEN ET MAINTENANCE

Votre unité Pit Boss vous servira fidèlement pendant de longues années tout en minimisant les efforts de nettoyage. Suivez ces conseils de nettoyage et d'entretien pour réviser votre gril :

## 1. HOPPER ASSEMBLY

- La trémie comprend une fonction de nettoyage lui permettant de se nettoyer facilement et de changer les arômes du combustible à granulés. Pour vider, placez la plaque sur le côté de la trémie et le couvercle de la boîte de dépôt sur la partie arrière de la trémie. Placez un seau propre et vide sous le couvercle de la boîte de dépôt, puis retirez le couvercle. Dévissez la plaque, glissez-la vers l'extérieur et les granulés se videront.



**REMARQUE : Utilisez une brosse à manche long ou un aspirateur d'atelier pour retirer les excès de granulés, de sciure de bois et de débris pour un nettoyage complet à travers l'écran de la trémie.**

- Faire sortir tous les granulés de votre système de tarière est recommandé si votre gril ne sera pas utilisé pendant une période prolongée. Cela peut être fait en faisant simplement fonctionner votre gril, sur une trémie vide, jusqu'à ce que tous les granulés se soient vidés du tube de la vis sans fin.
- Vérifiez et nettoyez les débris dans les bouches d'aération du ventilateur, situé au bas de la trémie. Une fois que le panneau d'accès de la trémie est retiré (voir **Diagramme de fils électriques** pour le schéma), essayez soigneusement toute accumulation de graisse directement sur les pales du ventilateur. Cela garantit que le flux d'air est suffisant pour le système d'alimentation.

## 2. SONDÉS

- Tout noeud ou pli des fils de la sonde peuvent endommager la pièce. Les fils devraient être enroulés dans une grande bobine desserrée.
- Bien que les sondes soient en acier inoxydable, ne les mettez pas dans le lave-vaisselle, ou dans l'eau. Les dommages causés par l'eau aux fils internes entraîneront un court-circuit de la sonde, créant une lecture erronée. Si une sonde est endommagée, elle devrait être remplacée.

## 3. LES SURFACES INTERNES

- Il est recommandé de nettoyer votre pot de combustion après chaque utilisation. Cela assurera un allumage correct et évitera toute accumulation de débris ou de cendres dans le pot de combustion.
- Utilisez une brosse de nettoyage à gri à long manche (laiton ou métal doux), retirez tout aliment ou accumulation des grilles de cuisson. La meilleure pratique est de faire cela alors qu'ils sont encore chauds d'une précédente cuisson. Les feux de graisse sont causés par trop de débris tombés sur les composants de cuisson du gril. Nettoyez l'intérieur de votre gril de façon régulière. Dans le cas où vous êtes confronté à un feu de graisse, gardez le couvercle du gril fermé pour étouffer l'incendie. Si l'incendie ne s'éteint pas rapidement, retirez soigneusement les aliments, éteignez le gril et fermez le couvercle jusqu'à ce que le feu soit complètement éteint. Saupoudrez légèrement de bicarbonate de soude, si disponible.
- Vérifiez souvent votre seau à graisse et nettoyez-le si nécessaire. Gardez à l'esprit le type de cuisson que vous faites

**IMPORTANT: En raison de chaleur élevée, ne couvrez pas la chaudière ni les sondes avec du papier d'aluminium.**

#### 4. LES SURFACES EXTERNES

- La tablette avant inclus un panneau amovible en-dessous pour un nettoyage plus facile. À partir d'en-dessous, appuyez la plaque d'appui vers le baril principal pour l'enlever. Nettoyez, puis remplacez en la glissant en place.

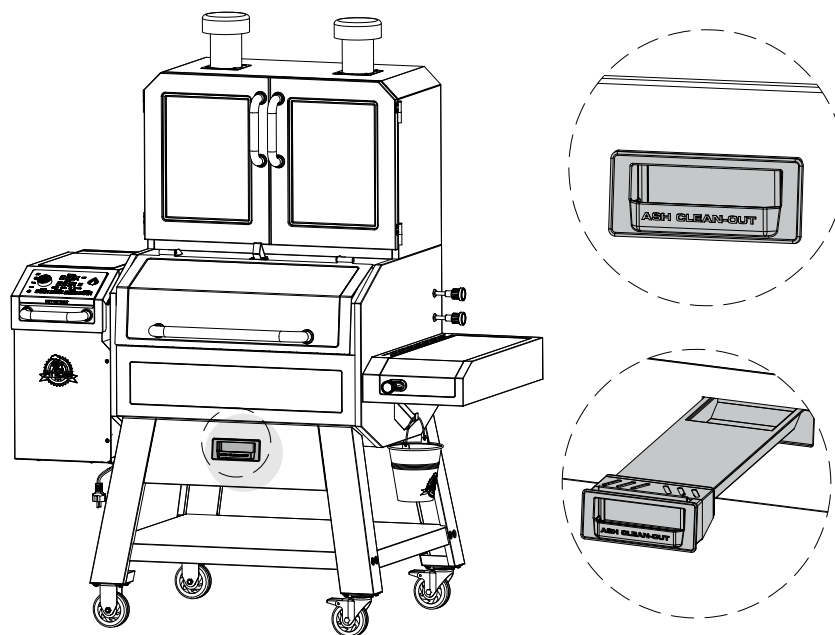
Essuyez votre grill après chaque utilisation. Utilisez de l'eau chaude savonneuse pour briser la graisse. Ne pas utiliser de nettoyant à four, nettoyant abrasif ou pad sur les surfaces externes du grill. **Toutes les surfaces peintes ne sont pas couvertes par la garantie**, mais font partie de la maintenance générale et de l'entretien. Pour les rayures de peinture, l'usure ou l'écaillage de la finition, toutes les surfaces peintes peuvent être retouchées à l'aide d'une peinture à barbecue à haute chaleur.

- Utilisez une couverture pour grill afin de protéger votre grill pour une protection complète! Une couverture est votre meilleure protection contre les intempéries et les polluants extérieurs. Lorsqu'il n'est pas utilisé ou pour un stockage à long terme, conservez l'unité sous une couverture dans un garage ou un hangar.

#### 5. COMMENT NETTOYER LES CENDRES DU BRÛLEUR À GRANULÉS

- Appuyez sur le casier à cendres. Retirez le cendrier.
- Une fois les cendres éliminées, poussez le cendrier dans la fente jusqu'à ce qu'il ne puisse pas être poussé.

**REMARQUE: Cette opération doit être effectuée une fois le grill refroidi.**



## TABLEAU DE FRÉQUENCE DE NETTOYAGE (UTILISATION NORMALE)

ÉLÉMENT	FRÉQUENCE DE NETTOYAGE	MÉTHODE DE NETTOYAGE
Bas du gril principal	Toutes les 5 ou 6 utilisations du gril	Retirer, aspirer l'excès de débris
Pot de combustion	Toutes les 2 ou 3 utilisations du gril	Retirer, aspirer l'excès de débris
Grilles de cuisson	Après chaque utilisation du gril	Brûler l'excès, brosse en fil de laiton
Diffuseur de chaleur	Toutes les 5 ou 6 utilisations du gril	Gratter la plaque principale avec la plaque coulissante, <b>ne pas laver</b>
Seau à graisse	Après chaque utilisation du gril	Éponge à récurer et eau savonneuse
Système d'acheminement de la vis sans fin	Lorsque le sac de granulés est vide	Laisser la vis sans fin pousser la sciure afin que la trémie soit vide
Composants électriques de la trémie	Une fois par an	Épousseter l'intérieur, nettoyer les lames du ventilateur avec de l'eau savonneuse
Conduit d'aération	Toutes les 5 ou 6 utilisations du gril	Épousseter, éponge à récurer et eau savonneuse
Sonde de température	Toutes les 2 ou 3 utilisations du gril	Éponge à récurer et eau savonneuse

## UTILISATION DU COMBUSTIBLE EN GRANULÉS DE BOIS

Les granules de bois propres combustibles génèrent environ 8200 BTU par livre avec très peu de cendres, une faible teneur en humidité (5 à 7 %) tout en étant également neutres en carbone. Les granulés sont produits avec des matières premières pures (sciures) qui sont pulvérisées avec un broyeur à marteaux et forcées avec pression à travers une filière. Quand le granulé est forcé à travers la filière, il est cisailé, refroidi, trié, aspiré, puis emballée pour la consommation. Vérifiez auprès de votre distributeur local pour connaître la gamme de saveurs disponibles dans votre région.



**MÉLANGE CARYER**



**MÉLANGE DE CHARBON DE BOIS**



**MÉLANGE DE LA COMPÉTITION**



**MÉLANGE MESQUITE**



**MÉLANGE CLASSIQUE**



**MÉLANGE POMME**



**MÉLANGE FRUITS DES BOIS**

**REMARQUE :** Conservez toujours vos granulés dans un endroit sec. Ceci poussera les granulés à absorber l'humidité et produira un rendement calorifique plus faible ou provoquera un gonflement et une dissolution des granulés. Utilisez un bac ou seau résistant à l'humidité et pouvant être scellé à nouveau pour la conservation.

# LIGNES DIRECTRICES POUR LA CUISINE

Les styles de cuisson de fumage et de grillage peuvent vous donner des résultats différents dépendant du temps et la température. Pour obtenir de meilleurs résultats, conservez un registre de tout ce que vous cuisinez, à quelle température vous le cuisinez, ainsi que les résultats. Ajustez toutes ces variables, selon vos goûts, la prochaine fois. Ce n'est qu'en s'exerçant qu'on s'améliore.

L'art culinaire du fumage à chaud équivaut à des temps de cuisson plus long, mais il produit également une saveur de bois plus naturelle (et une « **bande rose** ») dans vos viandes. Une température de cuisson plus élevée, ce qui veut dire moins de temps de cuisson, vous offrira moins de saveur fumée.

**CONSEIL:** Pour de meilleurs résultats, laissez reposer les viandes après la cuisson. Ceci permet aux jus naturels de revenir dans les fibres de la viande, produisant ainsi une coupe plus juteuse et plus savoureuse. Le temps de repos peut n'être que 3 minutes et peut même aller jusqu'à 60 minutes, selon la taille des protéines.

STYLE DE CUISSON	FUMAGE CHAUD (très faible)	RÔTI (faible)	CUISSON FOUR (moyen)	GRILLAGE/CUISSON FOUR (moyen/élevé)	SAISIR (élevé)
Plage de température	93-135°C / 199-275°F	135-162°C / 275-323°F	162-190°C / 323-374°F	190-232°C / 374-449°F	232-260°C / 449-500°F

VOLAILLE	TAILLE	Saignant - 54°C / 130°F	À point - 60°C / 140°F	Bien cuit - 77°C / 170°F
Dinde ( <i>entière</i> )	4,5-5,0 kg / 10-11 lbs. 5,3-6,4 kg / 12-14 lbs. 6,8-7,7 kg / 15-17 lbs. 8,2-10,0 kg / 18-22 lbs. 10,4-11,3 kg / 23-25 lbs.			Gril 90 - 120 minutes Gril 110 - 140 minutes Gril 130 - 160 minutes Gril 140 - 170 minutes Gril 150 - 180 minutes
Poulet ( <i>entier</i> )	1,36-2,26 kg / 3-5 lbs.			Gril 1 - 1.5 heures
Pilons, poitrines	0,45 - 0,86 kg / 1 - 1½ lbs.			Gril 30-60 minutes
Petits gibiers à plumes	0,45 - 0,86 kg / 1 - 1½ lbs.			Gril 30-45 minutes
Canard	1,36-2,26 kg / 3-5 lbs.			Rôti ou sur le gril 2 - 2.5 heures

PORC	TAILLE	Précuit près à être réchauffé - 60°C / 140°F	À point 66°C / 150°F	Bien cuit 71°C / 160°F
Jambon ( <i>Partie entièrement cuite et désossée, Porc fumé entier &amp; avec os</i> )	2,5 cm / 1 po 1,36-1,81 kg / 3-4 lbs. 1,81-2,72 kg / 4-6 lbs. 2,26-3,62 kg / 5-8 lbs. 4,53-5,44 kg / 10-12 lbs.	12 minutes 50 minutes - 1 heure 1 - 2 heures 1 - 2½ heures 2 - 2¾ heures		
Longe de porc	1,36-1,81 kg / 3 - 4 lbs.		1 - 2 heures	2 - 3 heures
Rôti de couronne de côte	1,81-2,26 kg / 4 - 5 lbs.		1½ - 2 heures	2 - 3 heures
Côtelette ( <i>longe, côte</i> )	1,9-2,5 cm / ¾ - 1 po 3,1-3,9 cm / 1¼ - 1½ po		10 - 12 minutes 14 - 18 minutes	
Filet	1,9-2,5 cm / ¾ - 1 po		20 - 30 minutes	30 - 45 minutes
Rôti de longe de porc, sans os	1,36-2,26 kg / 3-5 lbs.		1¼ - 1¾ heures	1¾ - 2½ heures
Boston Butt ( <i>Épaule de porc</i> )	3,62-4,53 kg / 8-10 lbs.			93 - 98 °C / 200 - 210 °F Température interne

<b>BOEF</b>	<b>TAILLE</b>	<b>CHALEUR</b>	<b>Saignant 54 °C / 130 °F</b>	<b>À point 60 °C / 140 °F</b>	<b>Bien cuit 65 °C / 150 °F</b>
<b>Steak</b> ( <i>New York, Porterhouse, faux filet, surlonge, T-bone, ou filet</i> )	1,9 cm / ¾ po 2,5 cm / 1 po 3,8 cm / 1½ po 5 cm / 2 po	Haut	Saisir pendant 8 à 10 minutes Saisir pendant 10 à 12 minutes Saisir pendant 10 minutes, griller pendant 8 à 10 minutes Saisir pendant 10 minutes, griller pendant 10 à 14 minutes		
<b>Bifteck de hampe</b>	0,6 - 12,7 cm / ¼ - ½ po	Haut	Saisir 5-7 minutes		
<b>Bavette</b>	0,45 - 0,86 kg / 1 - 1½ lbs., 1,9 cm / ¾ po	Moyen	Saisir pendant 4 minutes, griller pendant 8 à 10 minutes		
<b>Kébab</b>	2,5-3,8 cm / 1-1½ po cubes	Moyen	Gril 10 - 12 minutes		
<b>Filet</b>	1,58 - 1,81 kg / 3½ - 4 lbs.	Haut/Moyen	Saisir pendant 10 minutes, gril pendant 15 à 20 minutes		
<b>Steak haché</b>	1,9 cm / ¾ po	Haut/Moyen	Saisir pendant 4 minutes, griller pendant 4 à 6 minutes		
<b>Rôti de bœuf de faux-filet, sans os</b>	2,26 - 2,72 kg / 5 - 6 lbs.	Moyen	Gril 1½ - 2 heures		
<b>Rôti trois pointes</b>	0,9 - 1,13 kg / 2 - 2½ lbs.	Haut/Moyen	Saisir pendant 10 minutes, griller pendant 20 à 30 minutes		
<b>Rôti de côtes</b>	5,44 - 6,35 kg / 12 - 14 lbs.	Moyen	2½ - 2¾ heures		
<b>Côtelettes de veau</b>	2,5cm / 1 po	Moyen	10 - 12 minutes direct		
<b>Poitrine</b>	7,25 - 3,62 kg / 16 -18 lbs.	Fumage chaud	Cuire jusqu'à ce que la température interne atteigne 91°C / 195°F		

<b>AGNEAU</b>	<b>TAILLE</b>	<b>Saignant - 54 °C / 130 °F</b>	<b>À point - 60 °C / 140 °F</b>	<b>Bien cuit - 71 °C / 160 °F</b>
<b>Rôti (frais)</b>	2,26 - 2,72 kg / 5 - 6 lbs.		1 - 2 heures	
<b>Rôti de couronne de côte</b>	1,36 - 2,26 kg / 3-5 lbs.		1 - 1½ heures	1½ heures

<b>FRUITS DE MER</b>	<b>TAILLE</b>	<b>Saignant - 54 °C / 130 °F</b>	<b>À point - 60 °C / 140 °F</b>	<b>Bien cuit - 82 °C / 180 °F</b>
<b>Poisson (entier)</b>	0,5 kg / 1 lb. 0,9 - 1,1 kg / 2 - 2½ lbs. 1,4 kg / 3 lbs.			Gril 10 - 20 minutes Gril 20 - 30 minutes Gril 30 - 45 minutes
<b>Poisson (filets)</b>	0,6-1,3 cm / ¼" - ½"			Gril 3 - 5 minutes jusqu'à ce que le poisson s'émiette
<b>Queue de homard</b>	0,15 kg / 5 onces 0,3 kg / 10 onces			Gril 5 - 6 minutes Gril 10 - 12 minutes

<b>GIBIER SAUVAGE</b>	<b>TAILLE</b>	<b>Saignant - 60 °C / 140 °F</b>	<b>À point - 71 °C / 160 °F</b>	<b>Bien cuit - 77 °C / 170 °F</b>
<b>Rôti (frais)</b>	2,26 - 2,72 kg / 5-6 lbs.		1 - 1½ heures	1½ - 2 heures
<b>Grandes coupes (frais)</b>	3,62 - 4,53 kg / 8-10 lbs.		1 heure	1½ heures



# CONSEILS ET TECHNIQUES

Suivez ces conseils et techniques utiles, transmis par des propriétaires de Pit Boss, notre personnel et clients comme vous, afin de vous familiariser avec votre gril:

## 1. SÉCURITÉ ALIMENTAIRE

- Garder propre tout ce qui se trouve dans la cuisine et dans la surface de cuisson. Utilisez un plat et des ustensiles différents pour la viande cuite et pour préparer ou transporter la viande crue sur le gril. Ceci permettra d'éviter toute contamination croisée des bactéries. Chaque marinade ou sauce pour badigeonner devrait avoir son propre ustensile.
- Gardez les aliments chauds au chaud (au-dessus de 60°C / 140°F) et gardez les aliments froids au froids (moins de 3°C / 37°F).
- Une marinade ne devrait jamais être conservée pour une utilisation ultérieure. Si vous comptez l'utiliser pour la servir avec votre viande, assurez-vous de la faire bouillir avant de servir.
- Les aliments cuits et les salades ne devraient pas être laissés dehors dans la chaleur pendant plus d'une heure. Ne laissez pas les aliments chauds à l'extérieur du réfrigérateur pendant plus de deux heures.
- Décongeler et mariner les viandes par réfrigération. Ne décongelez pas la viande à température ambiante ou sur le comptoir. Les bactéries peuvent grandir et se multiplient rapidement dans les aliments chauds et humides. Lavez-vous bien les mains avec de l'eau tiède savonneuse avant de commencer à préparer votre plat, et après avoir manipulé de la viande fraîche, du poisson et de la volaille.

## 2. PRÉPARATION DE CUISSON

- Soyez préparé ou **Mise en place**. Ceci fait référence à la préparation de la recette, le combustible, les accessoires, les ustensiles et tous les ingrédients dont vous aurez besoin à côté du gril avant de commencer la cuisson. Aussi, lisez la recette complète, du début à la fin, avant d'allumer le gril.
- Un tapis protecteur pour BBQ peut être très utile. En raison des accidents qui surviennent en raison de la manipulation des aliments et des différents styles de cuisson, ce tapis aidera à protéger les dalles de votre patio ou de votre terrasse contre tout risque de tache de graisse ou de versements accidentels

## 3. CONSEILS ET TECHNIQUES DE GRILLADE

- Pour infuser plus de saveur fumée et gardez vos viandes juteuses, cuisez-les plus longtemps à une température plus basse (également connu sous le nom de **faible et lent**). La viande fermera ses fibres après avoir atteint une température interne de 49°C (120°F). La pulvérisation en brouillard et l'épandage sont d'excellents moyens permettant d'éviter que la viande ne se dessèche.
- Lorsque vous saisissez vos viandes, cuisinez toujours avec le couvercle fermé. Utilisez toujours un thermomètre à viande pour évaluer la température interne des aliments que vous cuisinez. Fumer la nourriture avec des granulés de bois fait rosir la viande et la volaille. **La bande rose** (après la cuisson) est aussi appelée anneau de fumée et est très appréciée par les chefs de plein air.
- Il est fortement recommandé d'appliquer les sauces à base de sucre vers la fin de la cuisson pour éviter les brûlures et flambées.
- Laissez un espace de dégagement entre les aliments et les extrémités du baril pour une bonne circulation de la chaleur. Beaucoup d'aliments sur une grille de cuisson encombrée prendront plus de temps à cuire.
- Utilisez des pinces avec une longue poignée pour retourner toutes les viandes et des spatules pour retourner les burgers et le poisson. L'utilisation d'un ustensile perçant, comme une fourchette, permet de piquer la viande et de laisser s'évacuer les jus.
- Les aliments dans des casseroles profondes nécessitent plus de temps pour cuire que dans une poêle peu profonde.
- C'est une bonne idée de mettre les aliments grillés sur une grande assiette préchauffée pour garder vos aliments chauds. Les viandes rouges comme les steaks et rôtis seront meilleurs si vous les laissez reposer pendant quelques minutes avant de les servir. Ceci permet aux jus délicieux que la chaleur a fait remonter à la surface de retourner au centre et de lui donner plus de saveur.




# DÉPANNAGE

Un bon nettoyage et un bon entretien, ainsi que le fait d'utiliser du combustible propre, sec et de qualité aidera à prévenir la plupart des problèmes de fonctionnement du gril. Toutefois, quand votre gril à granulés de bois Pit Boss ne fonctionne pas bien ou moins fréquemment, les conseils de dépannage suivants peuvent être utiles.

Pour les FAQ, rendez-vous sur [www.pitboss-grills.com](http://www.pitboss-grills.com). Vous pouvez également contacter votre revendeur agréé local Pit Boss ou contacter le Service à la clientèle pour obtenir de l'aide.

**AVERTISSEMENT : Débranchez toujours le cordon électrique avant d'ouvrir la plaque d'inspection de votre gril pour effectuer toute inspection, nettoyage, maintenance ou entretien. Veillez à ce que le gril soit complètement froid pour éviter des blessures.**

PROBLÈME	CAUSE	SOLUTION
Pas d'alimentation sur la carte de contrôle	La molette de température est sur OFF.	Appuyez sur le <b>bouton d'alimentation</b> , puis assurez-vous que le bouton s'allume en bleu pour indiquer qu'il y a une connexion à la source d'alimentation. Tournez la molette de température sur un réglage de température.
	Le gril n'est pas branché correctement.	Assurez-vous que le gril est branché à une prise d'alimentation qui fonctionne. Retirez le panneau d'accès de la trémie (voir <b>diagramme de fils électrique</b> pour le schéma) et assurez-vous que tous les raccords de câbles sont solidement branchés.
	Le fusible sur la carte de circuit a explosé	Débranchez le gril de la source d'alimentation et soulevez le couvercle de la trémie et enlevez le panneau derrière le couvercle. Tirez délicatement les fils du contrôleur vers vous, afin que vous puissiez confortablement accéder au tableau de commandes. Vérifiez le fusible pour voir s'il y a un fil cassé ou si le fil est devenu noir. Si oui, le fusible doit être remplacé manuellement.
	La prise GFCI est déclenchée	Débranchez le gril de la source d'alimentation et retirez le panneau d'accès de la trémie (voir <b>Diagramme de fils électriques</b> pour le schéma) et assurez-vous que tous les raccords de câbles sont solidement branchés et secs. Assurez-vous que le DDFT est porté au minimum à 10 ampères.
	Carte de contrôle défectueuse	La carte de contrôle doit être remplacée. Contactez le service clientèle pour une pièce de rechange.
Les granulés dans le pot de combustion ne s'allument pas	La tarière n'est pas amorcée	Avant que l'appareil ne soit utilisé pour la première fois ou lorsque la trémie est complètement vidée, la tarière doit être amorcée pour permettre aux granulés de remplir le tube de la vis sans fin. S'il n'est pas amorcé, l'allumeur s'éteindra avant que les granulés n'atteignent le pot de combustion. Suivez la <b>procédure d'amorçage de la trémie</b> .
	Moteur de la tarière est coincé	Appuyez sur le bouton Power (Alimentation) pendant 2 secondes pour éteindre l'unité. Retirez les composants de cuisson du gril à granulés. Appuyez sur le bouton Power (Alimentation) pour allumer l'unité, tournez le cadran de réglage de la température sur SMOKE, et inspectez le système d'alimentation de la vis sans fin. Confirmez visuellement que la vis sans fin fait tomber des granulés dans le pot de combustion. S'il ne fonctionne pas correctement, contactez le service à la clientèle pour obtenir de l'aide ou des pièces de rechange.
	Panne de l'allumeur	Appuyez sur le bouton Power (Alimentation) pendant 2 secondes pour éteindre l'unité. Retirez les composants de cuisson du gril à granulés. Appuyez sur le bouton Power (Alimentation) pour allumer l'unité, tournez le cadran de réglage de la température sur SMOKE et inspectez l'allumeur. Confirmez visuellement que l'allumeur fonctionne en plaçant votre main au-dessus du pot de combustion et en sentant s'il émet de la chaleur. Confirmez visuellement que l'allumeur dépasse environ 8 mm (max) / 0,3 pouces dans le pot de combustion. S'il ne fonctionne pas correctement, suivez la <b>Procédure de démarrage manuelle</b> pour continuer à utiliser le gril; cependant, communiquez avec le Service à la clientèle pour obtenir de l'aide ou une pièce de rechange.

Code d'erreur « ErH »	Le gril a surchauffé, possiblement en raison d'un feu de graisse ou d'un excès de combustible	Appuyez sur le <b>bouton d'alimentation</b> et tournez la molette de température sur OFF et permettez au gril de refroidir. Suivez les instructions <b>d'entretien et de maintenance</b> . Après la maintenance, enlevez les granulés en trop et confirmez que les parties composantes sont bien placées. Pour effacer le message d'erreur, tournez la molette de température à la position OFF (ARRÊT), ouvrez le couvercle, attendez 3 à 4 minutes, puis sélectionnez la température souhaitée.
Code d'erreur « ErL »	Les températures de l'unité sont basses/faibles	Appuyer et maintenir enfoncé le bouton « Power » (Alimentation) pendant 2 secondes pour éteindre l'unité. Suivez les instructions <b>d'entretien et de maintenance</b> . Après l'entretien, enlevez les cendres et les granulés qui n'ont pas été brûlés du pot de combustion et du fond du gril et confirmez que les parties composantes sont bien placées. Appuyez sur le bouton « Power » (Alimentation) pour allumer l'unité puis sélectionner la température souhaitée. Si un code d'erreur s'affiche encore, veuillez contacter le service à la clientèle.
Code d'erreur « ErR » avec l'icône (VIS SANS FIN) qui clignote 	La vis sans fin n'est pas amorcée	Avant que l'unité ne soit utilisée pour la première fois ou lorsque la trémie est complètement vidée, la vis sans fin doit être amorcée pour permettre aux granulés de remplir le pot de combustion. S'il n'est pas amorcé, l'allumeur s'éteindra avant que les granulés ne s'enflamment. Suivez la <b>procédure d'amorçage de la trémie</b> .
	Le moteur de la vis sans fin est coincé	Retirez les composants de cuisson du baril principal. Appuyez sur le bouton Power (Alimentation) pour allumer l'unité, tournez le cadran de réglage de la température sur SMOKE, et inspectez le système d'alimentation de la vis sans fin. Confirmez visuellement que la vis sans fin fait tomber des granulés dans le pot de combustion. S'il ne fonctionne pas correctement, contactez le service à la clientèle pour obtenir de l'aide ou des pièces de rechange.
Code d'erreur « ErR » avec l'icône (ALLUMEUR) qui clignote 	Allumeur ne fonctionne pas correctement	Retirez les composants de cuisson du corps principal. Appuyez sur le bouton d'alimentation pour allumer l'appareil et inspectez l'allumeur. Confirmez visuellement que l'allumeur fonctionne en plaçant votre main au-dessus de la grille de brûlage et en cherchant de la chaleur. Confirmez visuellement que l'allumeur est aligné avec le trou de la grille de combustion et s'ouvre pour allumer les pellets. Si cela ne fonctionne pas correctement, suivez la <b>procédure de démarrage manuel</b> pour continuer à utiliser le gril; Toutefois, appelez le service clientèle pour obtenir de l'aide ou une pièce de rechange.
	Carte de contrôle défectueuse	La carte de contrôle doit être remplacée. Contactez le service clientèle pour une pièce de rechange.
Code d'erreur « ErR » avec l'icône (VENTILATEUR) qui clignote 	Entrée d'air insuffisante pour le ventilateur	Contrôlez le ventilateur. Assurez-vous qu'il fonctionne correctement et que l'entrée d'air n'est pas bloquée. Suivez les instructions d'entretien et de maintenance si sale.
	Le ventilateur ne fonctionne pas correctement ou échec	Le thermomètre doit être remplacé. Contactez le service à la clientèle pour des pièces de rechange.
Code d'erreur « ErR » avec l'icône (PAS DE PELLETS) qui clignote	Manque de carburant, mauvaise qualité de carburant, obstruction du système d'alimentation, vis sans fin bloquée	Appuyez et maintenez enfoncé le bouton d'alimentation pendant 2 secondes pour éteindre puis reconnecter. Vérifiez la trémie pour vérifier que le niveau de carburant est suffisant et faites le plein si bas. Si la qualité des granulés de bois est médiocre ou si leur longueur est trop longue, cela peut entraîner une obstruction du système d'alimentation. Enlevez les pellets et suivez les instructions <b>d'entretien et de maintenance</b> .

Code d'erreur « ErP »	L'appareil n'a pas été éteint correctement lors de sa dernière connexion à l'alimentation.	Une fonctionnalité de sécurité empêche un redémarrage automatique. Appuyez sur le bouton d'alimentation pour éteindre l'appareil, attendez deux minutes, puis appuyez de nouveau sur le bouton d'alimentation pour allumer l'appareil. Tournez la molette de contrôle sur SMOKE ou la température de votre choix. Si le code d'erreur s'affiche toujours, contactez le service clients.
	Coupure de courant alors que l'appareil est allumé.	
Code d'erreur « noP »	Mauvaise connexion au port de connexion	Déconnectez la sonde à viande du port de connexion situé sur le tableau de commande, puis reconnectez. Assurez-vous que l'adaptateur de la sonde thermique est connecté fermement. Vérifiez que l'extrémité de l'adaptateur n'est pas endommagé. Si le message d'erreur apparaît toujours, contactez le service à la clientèle pour des pièces de rechange
	La sonde thermique est endommagée	Vérifiez si les fils de la sonde thermique sont endommagés. Si c'est le cas, veuillez contacter le service à la clientèle pour des pièces de rechange.
	Carte de contrôle défectueuse	La carte de contrôle doit être remplacée. Contactez le service clientèle pour une pièce de rechange.
Le grill n'atteint pas ou n'arrive pas à maintenir une température stable	Le flux d'air dans le pot de combustion est insuffisant	Vérifiez le pot de combustion pour déceler la présence de toute accumulation de cendres ou d'obstructions. Suivez les instructions <b>d'entretien et de maintenance</b> en cas d'accumulation de cendres. Contrôlez le ventilateur. Assurez-vous qu'il fonctionne correctement et que l'entrée d'air n'est pas bloquée. Suivez les instructions <b>d'entretien et de maintenance</b> si sale. Vérifiez le moteur de la tarière pour confirmer le fonctionnement et assurez-vous qu'il n'y a pas de blocage dans le tube de la tarière. Assurez-vous que tout ce qui a été mentionné ci-dessus a été effectué, démarrez le grill, réglez la température sur FUMÉE et patientez pendant 10 minutes. Vérifiez que la flamme produite est vive et lumineuse.
	Carburant de mauvaise qualité, Blocage dans le système d'alimentation	Vérifier la trémie pour vérifier que le niveau de carburant est suffisant, et reconstituer si faible. Si la qualité des granulés de bois est médiocre ou si la longueur des granulés est trop longue, cela peut provoquer une obstruction dans le système d'alimentation. Retirez les granulés et suivez les instructions <b>d'entretien et de maintenance</b> .
	Sonde de température	Vérifiez l'état de la sonde de température. Suivez les instructions <b>d'entretien et de maintenance</b> si elles sont sales. Contactez le service clientèle pour une pièce de rechange si elle est endommagée.
Le grill produit de la fumée excessive ou décolorée	Accumulation de graisse	Suivez les instructions <b>d'entretien et de maintenance</b> .
	Qualité des granulés de bois	Retirez les granulés de bois humides de la trémie. Suivez les instructions <b>d'entretien et de maintenance</b> pour le nettoyage. Remplacez par des granulés de bois secs.
	Le pot de combustion est bloqué	Retirez les granulés de bois humides du pot de combustion. Suivez la <b>procédure d'amorçage de la trémie</b> .
	Prise d'air insuffisante pour le ventilateur	Vérifier le ventilateur. Assurez-vous qu'il fonctionne correctement et la prise d'air ne soit pas bloquée. Suivez les instructions <b>d'entretien et de maintenance</b> si sale.
Embrassements fréquents	Température de cuisson	Essayez de cuisiner à une température plus basse. La graisse possède un point d'ignition. Gardez la température en-dessous de 176°C / 350°F lorsque vous cuisinez des aliments très gras.
	Accumulation de graisse sur les composants de cuisson	Suivez les instructions <b>d'entretien et de maintenance</b> .

# DIAGRAMME DE FIL ÉLECTRIQUE

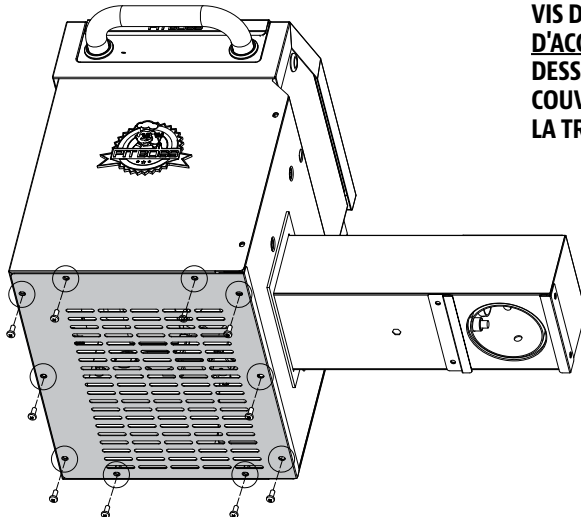
Le panneau de commande numérique est un matériel technologique hautement sophistiqué et de grande valeur. Pour une protection contre les surtensions et les courts-circuits électriques, consultez le schéma de fil ci-dessous pour vous assurer que votre source d'alimentation est suffisante pour le fonctionnement de l'appareil.

## PB – EXIGENCES ÉLECTRIQUES

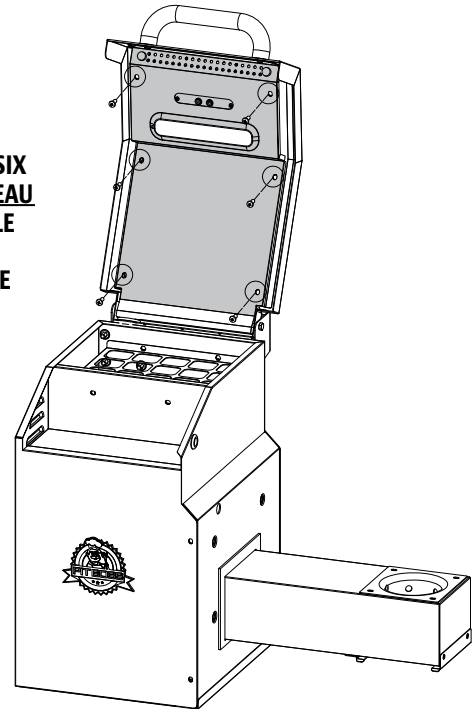
110-120V, 60HZ, 300W, FICHE À 3 BROCHES MISE À LA TERRE

REMARQUE : Les composants électriques, passés par les tests de sécurité des produits et les services de certification, sont conformes avec une tolérance de test de  $\pm 5$  à 10%.

LOCALISEZ ET ENLEVEZ LES DIX VIS DU PANNEAU D'ACCÈS SUR LE DESSOUS DE L'UNITÉ



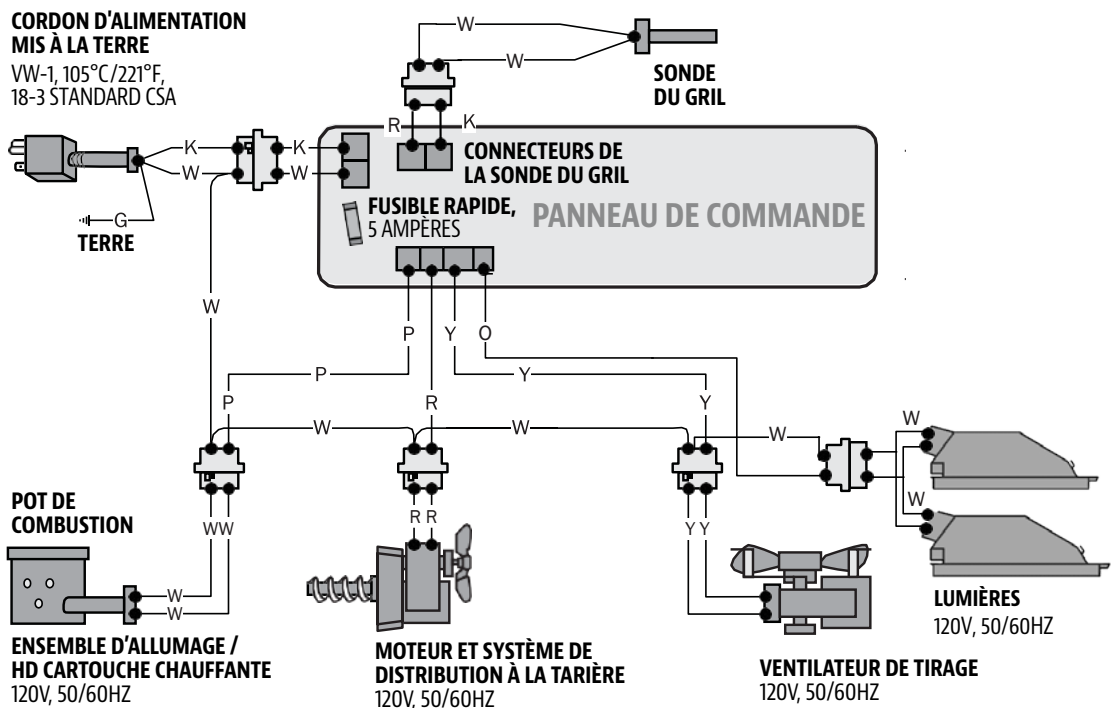
LOCALISEZ ET ENLEVEZ LES SIX VIS DU PANNEAU D'ACCÈS SUR LE DESSOUS DU COUVERCLE DE LA TRÉMIE



INDICE DE CONSOMMATION DE CARBURANT:  
2,13 KG/H  
(4,69 LB/H)

### INDEX

W : BLANC  
Y : JAUNE  
P : MAUVE  
R : ROUGE  
K : NOIR  
G : VERT  
O : ORANGE



## PIÈCES DE RECHANGE DE GRIL

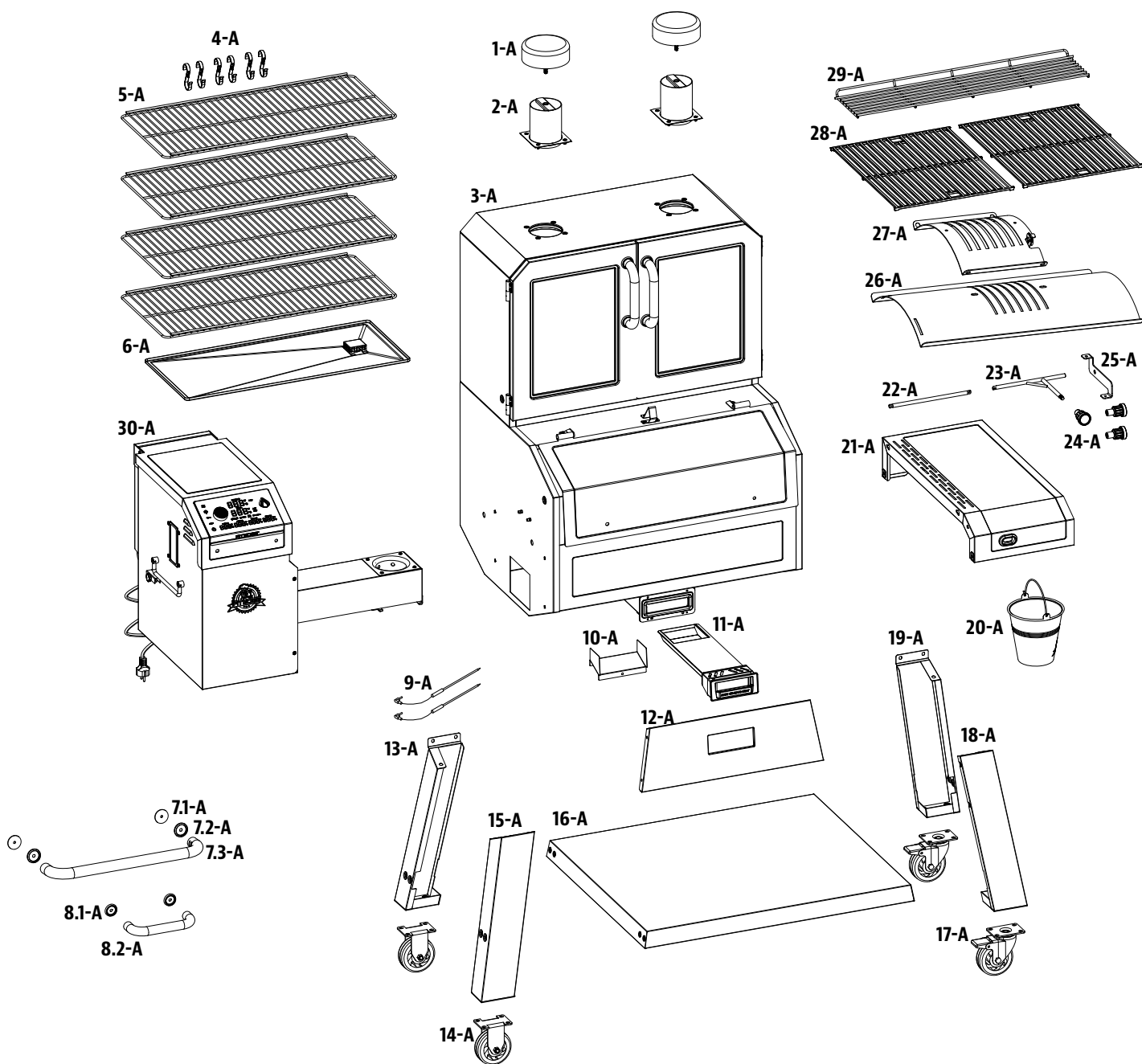
No.	Description
1-A	Couvercle de cheminée (x2)
2-A	Cheminée (x2)
3-A	Baril principal (x1)
4-A	Crochets à viande en « S » (x6)
5-A	Grille de cuisson du fumoir (x4)
6-A	Plateau à graisse (x1)
7.1-A	Entretoise de poignée de couvercle (x2)
7.2-A	Couvercle Poignée Siège (x2)
7.3-A	Tube de poignée de couvercle (x1)
8.1-A	Siège de poignée de couvercle de trémie (x2)
8.2-A	Tube de poignée de couvercle de trémie (x1)
9-A	Sonde thermique (x2)
10-A	Support du plateau à cendres (x1)
11-A	Plateau à cendres (x1)
12-A	Panneau avant du chariot (x1)
13-A	Pied gauche arrière (x1)
14-A	Roulette (x2)
15-A	Pied gauche avant (x1)
16-A	Étagère Inférieure (x1)

No.	Description
17-A	Roulette verrouillable (x2)
18-A	Pied droit avant (x1)
19-A	Pied droit arrière (x1)
20-A	Seau de graisse (x1)
21-A	Table latérale (x1)
22-A	Connecteur de la poignée de tirage de la chaudière glissière (x1)
23-A	Poignée de tirage de la chaudière glissière (x1)
24-A	Mollette (x3)
25-A	Support de la poignée de tirage de la chaudière glissière (x1)
26-A	Chaudière planche principale (x1)
27-A	Chaudière glissière (x1)
28-A	Grilles de cuisson en fonte revêtue de porcelaine (x2)
29-A	Grille de réchauffement en acier enduit de porcelaine (x1)
30-A	Ensemble de trémie (x1)
31-A	Vis (x38)
32-A	Vis (x5)
33-A	Vis (x17)
34-A	Vis (x1)

L'illustration du diagramme à la prochaine page.

*REMARQUE : En raison du développement continu du produit, les pièces peuvent être modifiées sans préavis.*

# PIÈCES DE RECHANGE DE GRIL

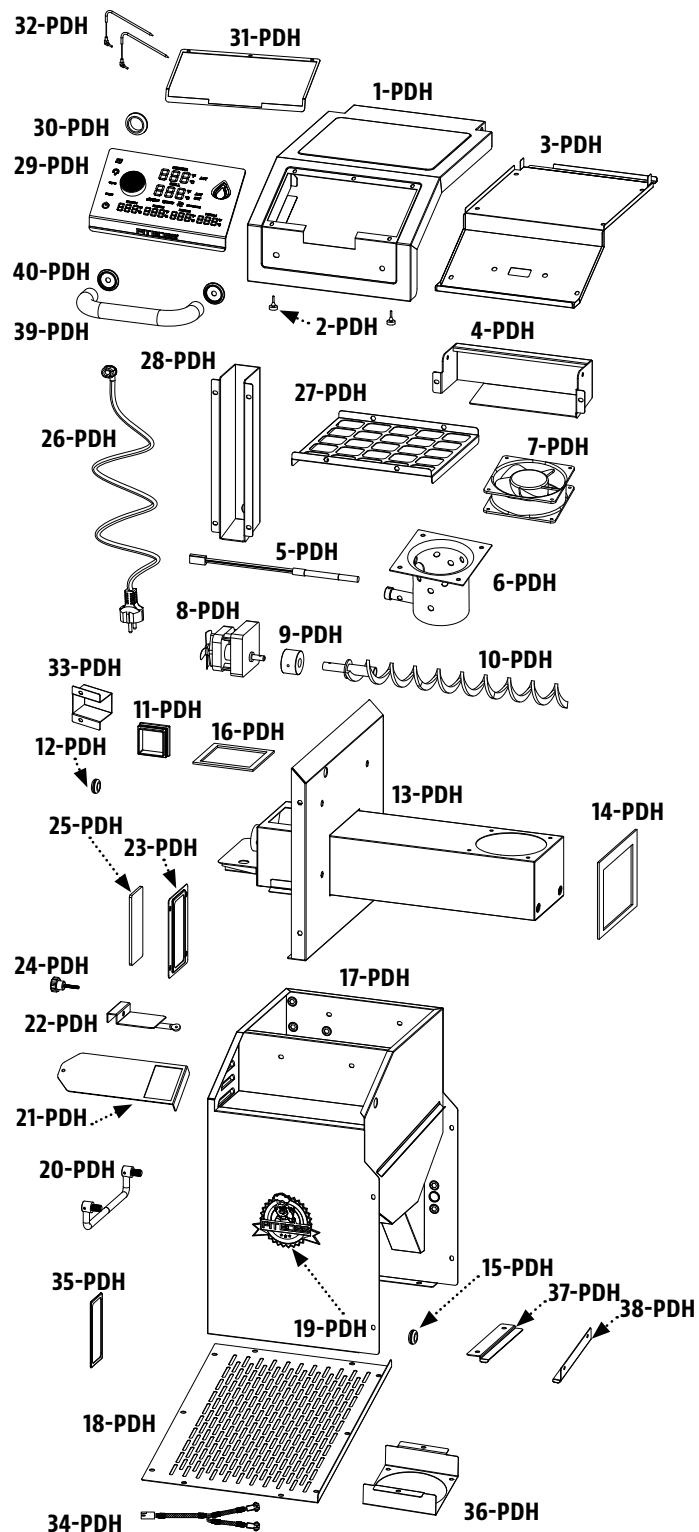


FRANÇAIS

# PIÈCES DE RECHANGE DE TRÉMIE

No.	Description
1-PDH	Couvercle de trémie (x1)
2-PDH	Coussin en caoutchouc du couvercle (x2)
3-PDH	Doubleur du couvercle de trémie (x1)
4-PDH	Panneau de support (x1)
5-PDH	Tige chauffante (x1)
6-PDH	Tasse à combustion (x1)
7-PDH	Moteur du ventilateur (x1)
8-PDH	Moteur d'alimentation (x1)
9-PDH	Tige en nylon (x1)
10-PDH	Tige d'alimentation (x1)
11-PDH	Housse en nylon (x1)
12-PDH	Anneau en caoutchouc-1 (x1)
13-PDH	Système d'alimentation (x1)
14-PDH	Feuille de résistance à la chaleur (x1)
15-PDH	Anneau en caoutchouc-3 (x2)
16-PDH	Rondelle d'étanchéité (x1)
17-PDH	Trémie (x1)
18-PDH	Panneau inférieur de la trémie (x1)
19-PDH	Plaque du logo (x1)
20-PDH	Poignée de la trémie (x1)
21-PDH	Panneau de commande-2 (x1)
22-PDH	Panneau de commande (x1)
23-PDH	Panneau de verre (x1)
24-PDH	Poignée de tirage (x1)
25-PDH	Verre (x1)
26-PDH	Fil électrique (x1)
27-PDH	Panneau du haut (x1)
28-PDH	Blindage de fil électrique (x1)
29-PDH	Panneau de commande (x1)
30-PDH	Anneau en caoutchouc-2 (x1)
31-PDH	Joint du panneau de commande (x1)
32-PDH	Sonde de cuisson (x2)
33-PDH	Couverture de fil de briquet (x1)
34-PDH	Fil briquet en "Y" (x1)
35-PDH	Joint en verre (x1)
36-PDH	Blindage du moteur du ventilateur (x1)
37-PDH	Support cendrier droit (x1)

No.	Description
38-PDH	Support de cendrier gauche (x1)
39-PDH	Poignée du couvercle de la trémie (x1)
40-PDH	Siège de poignée de couvercle de trémie (x2)





# GARANTIE

## CONDITIONS

Tous les grils de granulés de bois de Pit Boss, fabriquées par Dansons, contiennent une garantie limitée à partir de la date de vente par le propriétaire initial. La garantie entre en vigueur la date d'achat, et une preuve de la date d'achat ou copie de votre achat de vente original est requise pour valider la garantie. Si le client n'est pas en mesure de produire une preuve de l'achat ou si la date de couverture de la garantie est dépassée, il sera tenu de payer les pièces, l'expédition et la main-d'œuvre.

Dansons offre une garantie de cinq (5) ans contre les défauts et la main d'oeuvre sur toutes les pièces en acier (à l'exception de la grille de combustion), et trois (3) ans sur les composants électriques. Dansons garantit que toutes les parties sont exemptes de défauts de matériel et de fabrication, pour la durée d'utilisation et de propriété de l'acheteur initial. Il n'existe pas de garantie particulière pour la sonde du gril, la sonde thermique, la peinture, le fini en peinture en poudre, la grille de combustion, le couvercle du gril et tous les joints ou contre tout dommage causé par la corrosion. La garantie ne couvre pas les dommages causés par l'usure, tels que les rayures, les bosses, les coups, les éclats ou les fissures cosmétiques mineures. Ces changements esthétiques du gril n'affectent pas sa performance. La réparation ou le remplacement d'une pièce ne prolonge pas la garantie limitée.

Pendant la période de la garantie limitée, l'obligation de Dansons sera limitée à fournir le remplacement des composants couverts et/ou défectueux. Tant que cela se produit pendant la période de la garantie, Dansons ne vous facturera pas sur la réparation ou le remplacement des pièces retournées, le port-payé, si Dansons détermine que ces pièces se révèlent défectueuses après inspection. Dansons ne sera pas tenu responsable des frais de transport, du coût salarial ou des droits d'exportation. Sauf disposition contraire dans ces conditions de garantie, la réparation ou le remplacement des pièces de la façon et pour la durée fixée ci-dessous, remplira le devoir de toutes les responsabilités et obligations directes et dérivées de Dansons envers vous.

Dansons prend toutes les précautions pour utiliser les matériaux qui résistent à la formation de la rouille. Même avec ces garanties, le revêtement protecteur peut être compromis par diverses substances et conditions qui échappent au contrôle de Dansons. Les hautes températures, l'humidité excessive, le chlore, les gaz industriels, les engrais, les pesticides utilisés pour les pelouses et le sel sont quelques-unes des substances pouvant affecter les revêtements métalliques. C'est pour ces raisons que les garanties limitées ne couvrent pas la rouille ni l'oxydation, à moins que le composant du gril présente une perte d'intégrité structurelle. Si les scénarios décrits ci-dessus devaient se produire, veuillez vous référer à la section de soin et d'entretien pour prolonger la durée de vie de votre unité. Dansons recommande l'utilisation d'une couverture de gril lorsqu'il n'est pas utilisé.

Les garanties s'appliquent à un usage domestique et utilisation normale du gril et aucune des garanties limitées ne s'applique à un gril utilisé pour des applications commerciales.

## EXCEPTIONS

Il n'existe pas de garantie de performance écrite ou implicite sur les unités Pit Boss car le fabricant ne contrôle pas l'installation, le fonctionnement, le nettoyage, l'entretien ou le type de combustible brûlé. La garantie limitée ne s'appliquera pas, et Dansons n'assumera aucune responsabilité, si votre appareil n'a pas été installé, opéré, nettoyé et entretenu conformément aux instructions du fabricant. La combustion de tout autre élément différent des pastilles de bois de qualité pourrait annuler la garantie. La garantie ne couvre pas les dommages ou ruptures causées par une mauvaise utilisation, mauvaise manutention ou des modifications

Dansons et les fournisseurs autorisés Pit Boss déclinent toute responsabilité, légale ou autre, quant aux dommages accidentels ou consécutifs à la propriété ou aux personnes résultant de l'utilisation de ce produit. Si une réclamation est retournée contre Dansons basée sur la violation de cette garantie ou de tout autre type de garantie explicite ou implicite en droit, le fabricant ne sera en aucun cas tenu responsable des dommages-intérêts spéciaux, punitifs ou indirects de quelque nature que ce soit en surplus du prix d'achat original de ce produit. Toutes les garanties du fabricant sont énoncées ici et aucune réclamation ne sera effectuée contre le fabricant par le biais d'une garantie ou de représentation.

Certaines provinces n'autorisent pas l'exclusion ou la limitation des dommages accidentels ou consécutifs, ou les limitations des garanties implicites, de sorte qu'il est possible que les exclusions et limitations énoncées dans cette garantie limitée ne s'appliquent pas à vous. Cette garantie limitée vous donne des droits légaux spécifiques, et vous pourriez aussi avoir d'autres droits légaux qui pourront varier selon l'état ou la province.

## COMMANDE DE PIÈCES DE REMPLACEMENT

Pour commander des pièces de rechange, veuillez communiquer avec votre revendeur local ou visiter notre boutique en ligne à l'adresse suivante : [www.pitboss-grills.com](http://www.pitboss-grills.com)

## APPELEZ LE SERVICE À LA CLIENTÈLE

Si vous avez des questions ou des problèmes, veuillez communiquer avec le Service à la clientèle, du lundi au dimanche, de 4h à 20h HP (anglais / français / espagnol).

[service@pitboss-grills.com](mailto:service@pitboss-grills.com) | Ligne sans frais : 1-877-303-3134 | Télécopieur sans frais : 1-877-303-3135

## SERVICE DE GARANTIE

Appelez votre fournisseur « Pit Boss » le plus proche pour une réparation ou un remplacement de vos pièces. Dansons . exige une preuve d'achat pour établir une réclamation sous garantie; Conservez donc votre reçu ou facture originale pour référence future. Le numéro de série et de modèle de votre unité Pit Boss se trouve sur la trémie. Enregistrez les numéros ci-dessous, car l'étiquette peut s'user ou devenir illisible..

---

MODÈLE

---

NUMÉRO DE SÉRIE

---



DATE D'ACHAT

---

CONCESSIONNAIRE AUTORISÉ

# ACCESSOIRES VENDUS SÉPARÉMENT

Disponible à l'achat séparément. Vérifiez auprès de votre distributeur local pour connaître les disponibilités

ARTICLE	DESCRIPTION
	<p><b>COVER</b></p> <p>Form-fitting, full length cover. Heavy-duty polyester with PVC backing for long-term use. Weatherproof. Includes draw-string lock for easy tightening.</p>
	<p><b>SONDE THERMIQUE</b></p> <p>Lorsque vous êtes connecté, la température de la nourriture est affichée par le panneau de commande.</p>

ARTICLE	DESCRIPTION
	<p><b>TABLIER POUR LE GRIL</b></p> <p>Ce tablier ajustable a deux poches pratiques à l'avant qui permettront de tenir les outils du grill. Taille unique. Lavable à la machine.</p>

## RECETTES

### UNE POITRINE CLASSIQUE

#### 4 à 6 portions

Une poitrine entière de bœuf pèse environ 7,25 à 8,16 kg / 16 à 18 livres et possède trois parties distinctes : la couronne, le bout et la section plate. Utilisez la section plate car elle est maigre, compacte et produit de très belles tranches lorsque vous la tranchez.

#### Ingrédients :

- 1 Poitrine de boeuf  
2,2-3,6 kg / 5-8 lb,  
0,6 cm / 0,25 po d'épaisseur de graisse
- 1 bouteille de moutarde jaune préparée
- 75 ml / 5 c. à s. assaisonnement
- 1 bouteille sauce au piment fort
- 1 pack mélange d'oignon déshydraté
- 375 ml / 1 1/2 c. bouillon de bœuf
- 40 ml / 8 c. à c. poivre noir

**Essence de granules de bois suggérée : Noyer blanc / Mélange compétition**

#### Instructions :

1. Déposez une grande pellicule de plastique sur votre plan de travail de cuisine. Assez grande pour enrober une poitrine de bœuf. À l'aide d'un couteau aiguisé, faites une marque sur le dessous de la poitrine, une seule fois à contre sens. Ceci vous aidera à couper la poitrine une fois qu'elle est cuite, la coupe à contre sens vous offrira également un morceau de viande tendre qui fond dans la bouche. Le dessous est le côté non-gras, avec la couronne. Enduire avec une généreuse portion de moutarde préparée. Frottez légèrement sur toute la surface. Saupoudrer une bonne quantité d'assaisonnement sur la moutarde,

puis frottez délicatement sur toute la surface. Retournez la poitrine de bœuf et répétez le processus. Enroulez la poitrine dans la feuille de plastique et conservez au réfrigérateur pendant la nuit ou pour environ 2 à 4 heures.

2. Préparez le mélange de badigeonnage. Mélangez la sauce au chili, le mélange d'oignon déshydraté, le bouillon de bœuf et le poivre noir. Laisser reposer.
3. **Préchauffez le barbecue, puis réduire le réglage à température faible de 82 °C / 180 °F.**
4. Placez la poitrine, côté gras vers le haut, au centre du barbecue préchauffé. Fermez le couvercle du barbecue. Faites cuire lentement jusqu'à ce que la viande soit tendre, environ 10-12 heures.
5. Badigeonner la poitrine avec le mélange préparé toutes les demi-heures pendant les 3 premières heures.
6. Continuez le processus de cuisson lente jusqu'à ce que la température atteigne 60-66 °C / 140-150 °F. Enlevez la poitrine du barbecue. **Faites monter la température du barbecue à 176 °C / 350 °F.**
7. Placez la poitrine dans une poche en aluminium double couche. Versez 50 ml / ¼ de tasse de mélange de badigeonnage sur la poitrine dans la poche. Fermez la poche.
8. Déposez la poche délicatement sur le barbecue. Faites fumer pendant 1 à 1 ½ heures.
9. Ouvrez la poche et utilisez un thermomètre à viande; La température interne doit atteindre 91°C / 195°F. La poitrine devrait être ferme, mais vous devriez quand même être en mesure de déchirer la viande à l'aide de vos doigts.
10. Transférez la viande sur un plateau et laissez-la reposer pendant 10 minutes. Coupez des tranches minces à contre sens pour servir.

## ÔTES LEVÉES BARBECUE

4 à 6 portions

### Ingrédients :

1,3-1,8 kg / 3-4 lb	de côtelettes <i>Côtes levées de porc juteuses / longe</i>
45 ml / 3 c. à s.	d'huile
5 ml / 1 c. à t.	sel
5 ml / 1 c. à t.	poivre
2 entiers	oignons (hachés)
30 ml / 2 c. à s.	vinaigre
30 ml / 2 c. à s.	de sauce Worcestershire
125 ml / ½ c.	de jus de pomme ou soda
5 ml / 1 c. à t.	de paprika
5 ml / 1 c. à t.	de poudre de piment chili

Essence de granules de bois suggérée : Noyer blanc / Mélange  
Compétition / Pommier

### Instructions :

1. **Préchauffer le barbecue, puis réduire le réglage à 82-107 °C / 180-225 °F.**
2. Préparez les côtes levées en enlevant la couche épaisse de peau à l'arrière. Saupoudrez les côtes avec du sel et du poivre.
3. Placez les côtes sur le barbecue, espacées uniformément. Faites fumer pendant 3 à 4 heures.
4. Mélangez le reste des ingrédients dans une casserole et porter à ébullition. Laisser bouillir la sauce pendant cinq minutes pour épaissir.
5. Enlevez du barbecue. **Faites monter la température du barbecue à 176 °C / 350 °F.**
6. Placez chaque côte dans une poche en aluminium double couche. Versez 50 ml / ¼ de tasse de sauce sur les côtes dans la poche. Fermez la poche.
7. Déposez la poche délicatement sur le barbecue. Faites fumer pendant 1 à 1,5 heures.
8. Ouvrez la poche. La viande aura exposé les extrémités des côtes et sera très tendre. **Faites monter la température du barbecue à 260 °C / 500 °F.** Remettez les côtes sur le barbecue et badigeonnez avec de la sauce sur les deux côtés.
9. Lorsque la sauce est caramélisée et collante, retirez du barbecue et servez.

### VARIATION : MÉTHODE « MEMPHIS DRY »

Faites monter **la température du barbecue à élevé à 260 °C / 500 °F.** Remettez les côtes sur le barbecue et assaisonnez ou frottez avec un assaisonnement sec. Saisissez les côtes, retirez du barbecue et servez.

## STEAK DE SURLONGE AVEC DES OIGNONS DOUX ET DES POIVRONS

4 portions

### Ingrédients :

2	Steak de surlonge <i>D'une épaisseur d'un pouce, coupé en 4 morceaux. 0,45kg/1lb</i>
10 ml / 2 c. à t.	assaisonnement
5 moyens	oignons doux (coupés grossièrement)
2 entiers	poivrons (toutes sortes, hachée)
60 ml / 4 c. à s.	sauce soja
60 ml / 4 c. à s.	huile d'olive
Pincée	sel

Essence de granules de bois suggérée : Noyer blanc / Mesquite /  
Fût de whisky

### Instructions :

1. **Préchauffer le barbecue, puis réduire le réglage à 218°C / 425°F.**
2. Saupoudrez les deux côtés des steaks avec l'assaisonnement. Recouvrez et réfrigérez pendant au moins 1 heure.
3. Placez les oignons et les poivrons dans un plateau recouvert de papier d'aluminium. Mélangez l'huile d'olive et la sauce soja ensemble, puis versez sur le plateau. Saupoudrez de sel. Fermez complètement le paquet d'aluminium.
4. Placez le paquet sur le barbecue pendant environ 10 - 15 minutes ou bien jusqu'à ce que les légumes soient doux et tendres. Enlevez du barbecue, mais gardez sous l'emballage.
5. Placez les steaks sur le barbecue. Saisissez chaque côté, en retournant toutes les minutes.
6. Grillez jusqu'à la cuisson désirée, puis enlevez du barbecue. Placez sur les plats de service et garnissez-les avec les légumes chauds.

## POULET À LA BIÈRE

2 à 6 portions

### Ingrédients :

1 entier	poulet <i>1.8-2.7 kg / 4-6 lbs</i>
1 canette	bière, n'importe laquelle
45 ml / 3 c. à c.	d'assaisonnement

Essence de granules de bois suggérée : Noyer blanc / Pommier /  
Mélange compétition

### Instructions :

1. **Préchauffer le barbecue, puis réduire à 135-177 °C / 275-350 °F.**
2. Ouvrez la canette et versez la moitié de la bière dans un verre. Laissez la moitié dans la canette, et faites quelques trous supplémentaires dans la partie supérieure de la canette pour augmenter la ventilation. Ajoutez ¼ de l'assaisonnement dans la canette.
3. Rincez soigneusement le poulet et essuyez à l'aide d'un papier absorbant. Saupoudrez ¼ de l'assaisonnement à l'intérieur du

poulet. Avec l'assaisonnement restant, frotter la surface extérieure du poulet.

4. Insérez délicatement la canette verticale dans le poulet, placez sur le barbecue et fermez le couvercle du barbecue. Cuire jusqu'à ce que le poulet soit doré et croustillant; la température interne doit atteindre 74 °C / 165 °F.
5. A l'aide de pinces, retirez délicatement le poulet avec la canette en position verticale du barbecue. Laissez-le reposer pendant cinq minutes, puis enlevez délicatement la canette du poulet. Soyez prudent de ne pas renverser, le liquide sera chaud.
6. Coupez le poulet et servez-le.

#### **Variation : POULET À LA BIÈRE SANS ALCOOL**

À l'aide de la même méthode décrite ci-dessus, mais au lieu d'une bière vous pouvez utiliser votre boisson favorite comme du cola (pas diète), jus de fruit ou de l'eau avec des assaisonnements en plus.

## **BOEUF SÉCHÉ ÉPICÉ ET POIVRÉ**

*Ce boeuf séché épicé et poivré rempli de protéines est la collation parfaite pour les entraînements ou les soirées! Remplie de saveur et fumée, cette recette exige de la bavette découpée. Le parfait séché de boeuf à maîtriser avec l'aide de votre fumoir Pit Boss! Réglez-le, oubliez-le et soyez prêt à déguster d'incroyables bouchées très tendres! Vos collations après l'entraînement ne seront plus jamais les mêmes.*

#### **4 à 6 portions**

#### **Ingrédients :**

- 12 oz bouteille Bière Brune ou Autre Bière Noire
- 50 g / ¼ c. Sucre Brun
- 30 ml / 2 c. à s. Gros Poivre Noir
- 60 ml / 4 c. à s. Sel D'ail
- 30 ml / 2 c. à s. Sauce Piquante
- 15 ml / 1 c. à s. Sel à Séchage Sapide
- 250 ml / 1 c. Sauce Soja
- 30 ml / 2 c. à s. Assaisonnement Pit Boss® Sweet Heat, divisé
- 910 g / 2 lbs Steak de Bavette Coupé
- 50 g / ¼ c. Sauce Worcestershire

#### **Essence de granules de bois suggérée : Mélange de mesquite**

#### **Instructions :**

1. Dans un grand bol, ajoutez la bière, la sauce soja, la sauce Worcestershire, le sucre brun, la sauce piquante, le sel d'ail, le poivre noir, 2 cuillères à soupe d'assaisonnement et de sel à séchage rapide. Bien fouetter jusqu'à ce que le mélange soit uniforme ou bien jusqu'à ce que le sucre brun soit dissout. Versez la marinade dans un grand sac plastique hermétique ou un grand bol et laissez reposer.
2. À l'aide d'un couteau tranchant, découpez tout le gras ou tissu conjonctif de la bavette. Découpez le boeuf en tranches de ¼ de po en diagonale (ceci est plus facile si la viande est partiellement congelée).

3. Placez les tranches de boeuf dans un sac de plastique refermable et massez la marinade sur la viande. Laissez la viande mariner dans le frigo pendant 24 heures.
4. Lorsque vous êtes prêt à fumer votre viande, enlevez le boeuf de la marinade et jetez-la.
5. **Allumez votre fumoir Pit Boss et réglez votre température à 200 °F (93 C). Si vous utilisez un fumoir à sciure ou au charbon, configurez-le à un feu moyen-faible.**
6. Placez la viande en une seule couche directement sur la grille du fumoir. Faites fumer le boeuf pendant 4 à 5 heures, ou bien jusqu'à ce que le boeuf soit sec mais tout de même moelleux et puisse tout de même être légèrement plié.
7. Enlevez la viande du gril avec des pinces et transférez-la dans un sac de plastique hermétique pendant qu'elle est encore chaude. Laissez la viande reposer pendant 1 heure à température ambiante.
8. Laissez sortir l'air restant du sac de plastique hermétique et placez le boeuf séché au frigo. Il se conservera pendant plusieurs semaines. Régalez-vous!

## **SÉCHÉ DE DINDE FUMÉE BBQ**

*Ce délicieux séché de dinde fumée BBQ est une excellente collation ou repas après l'entraînement. Remplie de protéine et faible en gras, cette recette de dinde séchée utilise la poitrine de dinde pour la cuisson, la rendant ainsi saine pour vous et vos amis! Assurez-vous d'en faire plus - mettez-le dans un sac étanche et il vous durera plusieurs semaines dans le frigo.*

#### **4 à 6 portions**

#### **Ingrédients :**

- 30 ml / 2 c. à s. Vinaigre de Cidre de Pomme
- 30 ml / 2 c. à s. (n'importe quelle sorte) De sauce Barbecue
- 15 ml / 1 c. à s. Sel à Séchage Sapide
- 125 ml / ½ c. Sauce Soja
- 60 ml / 4 c. à s. Assaisonnement Pit Boss® Sweet Heat
- 910 g / 2 lbs Poitrine de dinde sans peau et sans os
- 50 g / ¼ c. D'eau

#### **Essence de granules de bois suggérée : Mélange de pommes**

#### **Instructions :**

1. Dans un grand bol, combinez la sauce, l'eau, la sauce barbecue, le vinaigre de cidre de pomme, le sel à séchage rapide et 2 cuillères à soupe d'assaisonnement Sweet Rib Rub. Fouettez ensemble jusqu'à ce que le mélange soit bien combiné et placez dans un grand sac de plastique refermable.
2. À l'aide d'un couteau tranchant, découpez la dinde en tranches de ¼ de po en diagonale (ceci est plus facile si la viande est partiellement congelée). Coupez tout excès de gras, de peau ou de tissu conjonctif et jetez.
3. Placez les tranches de dinde dans un sac de plastique refermable et massez la marinade sur la dinde. Mettre au frigo pendant 24 heures.

- Une fois que la viande est prête, enlevez la dinde du frigo, videz la marinade et jetez. Essayez la dinde avec du papier absorbant et saupoudrez tous les côtés généreusement avec le reste du Sweet Rib Rub.
- Allumez votre fumoir Pit Boss et réglez votre température à 180 °F (135 C). Si vous utilisez un fumoir à sciure ou au charbon, configurez-le à un feu moyen-faible.**
- Placez les tranches de dinde directement sur les grilles du fumoir et faites fumer pendant 2 à 4 heures ou bien jusqu'à ce que le séché soit moelleux mais puisse tout de même être légèrement plié.
- Transférez la dinde séchée dans un sac de plastique hermétique pendant qu'elle est encore chaude et laissez-la reposer à température ambiante pendant une (1) heure. Faites sortir l'air du sac et placez-le dans le frigo. Il se conservera pendant plusieurs semaines

## **LES BOUTS GRILLÉS DU PAUVRE**

**4 à 6 portions**

### **Ingrédients :**

- 125 ml / ½ c. (n'importe quelle sorte) De sauce Barbecue  
 50 g / ¼ c. Sucre Brun  
 1.36 kg / 3 lbs D'épaule de Boeuf (du rôti de palette)  
 60 ml / 4 c. à s. Assaisonnement Pit Boss® Sweet Heat

**Essence de granules de bois suggérée : Mélange de compétition**

### **Instructions :**

- Allumez votre fumoir Pit Boss® et réglez votre température à 275 °F (135 C).**
- Assaisonnez grossièrement votre rôti sur tous les côtés avec de l'assaisonnement (Sweet Rib Rub). Insérez une sonde de température dans la partie la plus épaisse du rôti et placez le rôti sur le fumoir.
- Faites fumer le rôti jusqu'à ce que la température interne atteigne 165 °F (74 C). Enroulez le rôti dans du papier d'aluminium et remettez-le dans le fumoir jusqu'à ce que la température interne atteigne 195 °F (90 C), environ 1 heure.
- Enlevez le rôti enroulé du fumoir et laissez-le reposer pendant environ 15 à 20 minutes. Découpez-le cubes de 3/4 po et transférez dans un contenant en aluminium jetable. Saupoudrez avec 1/4 de tasse de sucre brun et mettez le reste de la sauce BBQ, en vous laissant quelques cuillères à soupe pour plus tard. Enrobez tous les bouts brûlés avec la sauce.
- Placez le poêle sur le gril, fermez le couvercle et cuisinez pendant 11/2 à 2 heures de plus, ou bien jusqu'à ce que la sauce soit épaisse et les bouts brûlés tendres. Retirez du fumoir et servir.

## **DES JALAPENOS REMPLIS DE FROMAGE ET ENROULÉS DE BACON**

*Voici un apéritif qui vous fera transpirer, mais sans que vous ayez besoin de faire de l'exercice. Non, ces Jalapenos remplis de fromage et enroulés de bacon vous procureront une saveur crémeuse, croustillante et épicée à chaque bouchée.*

*Les jalapenos remplis enroulés de bacon sont toujours des favoris et cette recette est encore meilleure car elle est faite sur un gril à granules Pit Boss qui lui procurera le goût du feu de bois.*

**4 à 6 portions**

### **Ingrédients :**

- 12 tranches Bacon découpées en moitié  
 227 g / 8 oz Fromage crémeux, à température ambiante  
 1 Gousse d'ail hachée  
 12 Poivrons Jalapeno frais  
 250 ml / 1 c. Fromage Mmozzarella, râpé  
 2 ml / ½ c. à t. Paprika fumé  
 24 Cure-dents

**Essence de granules de bois suggérée : Mélange de hickory**

### **Instructions :**

- Démarrez votre gril sur « Smoke » (Fumée) avec le couvercle ouvert jusqu'à ce que le feu soit établi dans le pot de combustion (3 à 7 minutes). Préchauffez jusqu'à 300° F (230° C).**
- Commencez à découper les poivrons jalapeno en deux dans le sens de la longueur, enlevez les semences et la membrane au centre et laissez reposer
- Ensuite, faites battre le fromage à crème, le fromage mozzarella, l'ail et le paprika ensemble jusqu'à ce qu'ils soient bien mélangés, ajoutez ensuite du sel au goût, puis remplissez à la cuillère les 24 moitiés de jalapeno uniformément.
- Enroulez chaque jalapeno rempli avec demi-tranche de bacon et mettez un cure-dent dans le centre pour garder le bacon en place
- Placez chaque poivron farci sur le gril, et faites griller pendant environ 25 minutes.
- Retirez du gril et servir immédiatement

**Pointe:** Pour obtenir de saveurs encore plus fumées, commencez alors la recette en mode Smoke (Fumée) pendant 30 minutes avant de faire griller.

# INFORMACIÓN DE SEGURIDAD

**LAS FALLAS DE MANTENIMIENTO Y EL INCUMPLIMIENTO DE LAS DISTANCIAS REQUERIDAS ENTRE EL APARATO Y LOS MATERIALES COMBUSTIBLES SON CAUSAS IMPORTANTES DE INCENDIOS. ES DE LA MAYOR IMPORTANCIA QUE ESTE PRODUCTO SOLAMENTE SE UTILICE DE ACUERDO CON ESTAS INSTRUCCIONES.**

Por favor lea y comprenda este manual en su totalidad antes de intentar armar, utilizar o instalar el producto. Esto garantizará que pueda utilizar su nuevo asador de pellets de madera de la manera más agradable y sin problemas. También le recomendamos conservar este manual para referencia futura.

## PELIGROS Y ADVERTENCIAS

**Debe comunicarse con su asociación local de vecinos, funcionarios de construcción o control de incendios, o con la autoridad competente, para obtener los permisos y la información necesarios sobre restricciones de instalación, como la instalación de un asador en una superficie combustible, los requisitos de inspección, o incluso la capacidad de usarlo, en su región.**

1. Es necesario mantener un espacio libre mínimo de 914 mm (36 pulg.) entre materiales combustibles y los costados del ahumador y de 914 mm (36 pulg.) desde la parte trasera del ahumador a materiales combustibles. **No instale el aparato en pisos combustibles o en pisos protegidos con superficies combustibles, a menos que se obtengan las autorizaciones y los permisos apropiados de las autoridades competentes.** No use este aparato bajo techo, en un área cerrada o sin ventilación, dentro de hogares, vehículos, carpas, garajes. Este aparato de pellets de madera no debe colocarse bajo un techo o saliente de material combustible. Mantenga su asador en un área despejada y libre de materiales combustibles, gasolina y otros vapores y líquidos inflamables.

**En caso de un fuego de grasa, debe APAGAR el asador y dejar la tapa cerrada hasta que se apague el fuego. Desconecte el cable de alimentación eléctrica. No arroje agua sobre el fuego. No trate de sofocar el fuego. Es muy recomendable mantener cerca un extintor de incendios aprobado para todo tipo de fuego (clase ABC). Si ocurre un incendio sin control, llame al Departamento de Bomberos.**

2. Mantenga los cables de alimentación eléctrica y la combustible de las superficies calientes. No use su asador bajo la lluvia o cerca de cualquier fuente de agua.
3. Después de un período de almacenamiento o falta de uso, revise la rejilla de combustión para detectar obstrucciones, y la chimenea para obstrucciones del flujo de aire. Límpiela antes de usarla. Se requiere un cuidado regular y el mantenimiento para prolongar la vida útil de la unidad. **Si el asador se almacena en exteriores durante la temporada de lluvias o en temporadas de alta humedad, debe tener cuidado de que no entre agua en la tolva.** Siempre debe desconectar la alimentación eléctrica antes de realizar cualquier servicio o mantenimiento.

**No transporte su asador mientras está en operación o mientras el asador está caliente. Asegúrese de que el fuego está completamente apagado y de que el asador está completamente frío al tacto antes de moverlo.**

4. Se recomienda utilizar guantes resistentes al calor cuando opere el asador. No utilice accesorios no especificados para su uso con este aparato. No coloque una cubierta para asador u otra cosa inflamable dentro del espacio de almacenamiento debajo del asador.
5. Para evitar lesiones o daños al barreno, el aparato cuenta con una cubierta de seguridad en la tolva metálica. Esta cubierta no debe ser retirada a menos que así lo indique Servicio al Cliente o un distribuidor autorizado.

**No se recomienda que usen este aparato los niños, las personas con capacidades físicas, sensoriales o mentales reducidas, o que no tengan suficiente experiencia y conocimientos, a menos que sean supervisados o instruidos por una persona responsable de su seguridad.**

6. Algunas partes del asador podrían estar muy calientes y pueden causar lesiones graves. Mantenga a los niños pequeños y las mascotas alejados mientras lo utiliza.
7. No agranda los agujeros del encendedor ni las cámaras de combustión. De no cumplir con esta advertencia, podría causar un peligro de incendios y lesiones corporales y anulará su garantía.
8. El producto puede tener bordes o puntos afilados. El contacto puede provocar lesiones. Tratar con cuidado.

## ELIMINACIÓN DE LAS CENIZAS

Las cenizas deben ser colocadas en un recipiente metálico con una tapa hermética. El recipiente cerrado de cenizas debe colocarse en un piso no combustible o en el suelo, lejos de todos los materiales combustibles, hasta su eliminación definitiva. Cuando elimine las cenizas enterrándolas en la tierra o dispersándolas, debe conservarlas en un recipiente cerrado hasta que todas las brasas se hayan enfriado por completo.

## COMBUSTIBLE DE PELLETS DE MADERA

Este aparato para cocinar con pellets está diseñado y aprobado solamente para usar combustible de madera natural en forma de pellets. Quemar cualquier otro tipo de combustible en este aparato anulará la garantía y el registro de seguridad. Solamente debe utilizar pellets de madera natural, diseñados para quemarse en asadores de pellets. No use combustible que contenga aditivos. El valor medio de calentamiento del combustible de pellets en 8000-8770 BTU / LB, contenido de cenizas <1%.

**No use roca de lava, trozos de madera, carbón de leña, licores, petróleo, gasolina, líquido de encendedores o queroseno para encender o avivar el fuego en su asador.**

Al momento de la impresión, no hay un estándar de la industria para pellets de madera para asador, aunque la mayoría de los fabricantes de pellets usan los mismos estándares aplicados para la fabricación de pellets de madera para calefacción casera. Puede encontrar más información en [www.pelletheat.org](http://www.pelletheat.org) o en el *Pellet Fuel Institute*.

Consulte a su distribuidor local sobre la calidad de los pellets en su región y pídale información la calidad de las distintas marcas. Dado que no existe ningún control sobre la calidad de los pellets utilizados, no asumimos ninguna responsabilidad por los daños causados por combustible de mala calidad.

## CREOSOTA

La creosota, u hollín, es una sustancia similar a la brea. Cuando se quema produce un humo negro que deja residuos que también son de color negro. El hollín o creosota se forma cuando el aparato se utiliza de manera incorrecta, como: una colocación incorrecta de la rejilla de combustión, obstrucción del ventilador de combustión, falta de limpieza y mantenimiento del área de combustión, pellets afectados por la humedad, o una mala relación aire-combustible en la combustión.

Es peligroso utilizar este aparato si la llama se vuelve oscura y con hollín, o si la cámara de combustión se desborda de pellets. Al encenderse, esta creosota genera un fuego extremadamente caliente y sin control, similar a un fuego de grasa. Si esto ocurre, APAGUE la unidad, déjela enfriarse por completo, y luego inspecciónela para darle mantenimiento y limpiarla. Por lo general se acumula en las áreas de escape de gases.

Si se ha formado creosota dentro de la unidad, permita que esta se caliente a una temperatura baja, luego APAGUE el aparato y limpie la acumulación con una toalla de mano. Al ser similar a la brea, es mucho más fácil limpiarla cuando está caliente, ya que se vuelve líquida..

## MONÓXIDO DE CARBONO ("EL ASESINO SILENCIOSO")

El monóxido de carbono es un gas incoloro, inodoro e insípido que se produce al quemar gas, madera, propano, carbón y otros combustibles. El monóxido de carbono reduce la capacidad de la sangre para transportar oxígeno. Los niveles bajos de oxígeno en la sangre pueden causar dolor de cabeza, mareos, debilidad, náuseas, vómitos, somnolencia, confusión, pérdida de la conciencia y muerte. Siga estas instrucciones para evitar que este gas incoloro e inodoro lo intoxique a usted, a su familia o a otras personas:

- Consulte a un médico si usted u otras personas presentan síntomas de resfriado o gripe mientras cocinan o en los alrededores del aparato. La intoxicación por monóxido de carbono, que puede confundirse fácilmente con gripe o resfriado, con frecuencia se detecta demasiado tarde.
- El consumo de alcohol y drogas aumentan los efectos de la intoxicación por monóxido de carbono.



El monóxido de carbono es especialmente tóxico para madres e hijos durante el embarazo, así como para los bebés, los ancianos, los fumadores y las personas con problemas de la sangre y el sistema circulatorio, como anemia o enfermedades cardíacas. or circulatory system problems, such as anemia, or heart disease.

## REGISTRO DE SEGURIDAD

De acuerdo con los procedimientos y especificaciones de la Categoría 2728A-2019 de UL, "aparatos de cocción de combustible de pellets" y ULC / ORD C2728-19" equipos de combustible de pellets Pit Boss han sido probados de manera independiente y registrados por CSA (un laboratorio de pruebas acreditado) de acuerdo con las normas UL y ULC.



## DECLARACIÓN DE CUMPLIMIENTO DE LA FCC

Este dispositivo cumple con la parte 15 de las normas de la FCC. Su funcionamiento está sujeto a las dos condiciones siguientes:



(1) Este dispositivo no puede causar interferencias perjudiciales, y (2) Este dispositivo debe aceptar cualquier interferencia recibida, incluyendo interferencias que puedan causar un funcionamiento no deseado.

Este equipo se ha probado y se ha determinado que cumple con los límites para un dispositivo digital de clase B, de acuerdo con la parte 15 de las normas de la FCC. Estos límites están destinados a ofrecer una protección razonable frente a interferencias perjudiciales en instalaciones residenciales. Este equipo genera, utiliza y puede irradiar energía de radiofrecuencia y, si no se instala y utiliza de acuerdo con las instrucciones, puede causar interferencias perjudiciales en las comunicaciones de radio. Sin embargo, no existe ninguna garantía de que no se produzcan interferencias en una determinada instalación. Si este equipo llega a causar interferencias indeseables en la recepción de radio o televisión, lo cual se puede determinar apagando y encendiendo el equipo, se recomienda al usuario que trate de corregir la interferencia tomando una o más de las siguientes medidas:

- Reorientar o cambiar la ubicación de la antena receptora.
- Aumentar la separación entre el equipo y el receptor.
- Conectar el equipo a una toma de corriente a un circuito distinto al que está conectado el receptor.
- Consultar al distribuidor o a un técnico de radio/televisión experimentado para obtener ayuda.



## AVISO DE DERECHOS DE AUTOR

Copyright 2020. Todos los derechos reservados. Ninguna parte de este manual puede ser copiada, transmitida, transcrita o almacenada en un sistema de respaldo, en ninguna forma y por ningún medio, sin el permiso explícito por escrito de,

### Dansons

3411 North 5th Avenue, Suite 500, Phoenix, AZ, USA 85013  
sales@pitboss-grills.com | service@pitboss-grills.com  
[www.pitboss-grills.com](http://www.pitboss-grills.com)

### Servicio al Cliente

De lunes a domingo, de 4 a.m. a 8 p.m. hora del Pacífico (EN/FR/ES)  
**Línea sin costo: 1-877-303-3134, Fax: 1-877-303-3135**

# ÍNDICE

Información de seguridad .....	79	Instrucciones de operación	
Partes y especificaciones .....	83	Entorno del asador.....	94
Preparación del ensamblaje .....	85	Rangos de temperaturas del asador.....	95
Instrucciones de ensamblaje		Rangos de temperaturas del ahumador.....	95
Sacar los componentes de la caja.....	85	Explicación del tablero de control.....	96
Fijación de las patas delanteras al asador.....	86	Conexión a la aplicación Smoke IT® .....	98
Instalación del panel delantero al asador.....	86	Uso de los sensores.....	98
Instalación del soporte del cenicero .....	86	Procedimiento de preparación de la tolva .....	98
Fijación de las patas delanteras a la repisa inferior .....	87	Primer uso - Quemado del asador .....	99
Fijación de las patas traseras al asador.....	87	Procedimiento de arranque automático.....	99
Fijación de las patas delanteras a la repisa inferior .....	87	Procedimiento de arranque manual .....	100
Conexión de las ruedas al carrito.....	88	Cómo apagar su asador .....	100
Montaje de la chimenea al asador .....	88	Cuidado y mantenimiento .....	101
Fijación de la tapa de la chimenea .....	88	Uso del combustible de pellets de madera .....	102
Colocación del asador al derecho .....	88	Lineamientos para cocinar .....	103
Fijación de los tornillos al lado de la cámara principal.....	89	Consejos y técnicas.....	105
Instalación de la mesa lateral.....	89	Solución de problemas .....	106
Fijación de la mesa lateral.....	89	Diagrama de cableado eléctrico .....	109
Instalación de la manija de la rejilla de flama		Refacciones	
(lado del orificio).....	89	Refacciones para el asador .....	110
Instalación de la manija de la rejilla de flama		Refacciones eléctricos .....	112
(lado de la perilla).....	90	Garantía	
Montaje del soporte de la manija de la rejilla de flama ..	90	Condiciones.....	113
Instalación de las perillas .....	90	Excepciones .....	113
Instalación del conjunto de limpieza de cenizas.....	90	Cómo ordenar refacciones.....	114
Instalación de la manija de la tapa del asador .....	91	Contacto con Servicio al Cliente.....	114
Instalación de la manija de la tapa de la tolva.....	91	Servicio bajo garantía .....	114
Montaje de los componentes de la rejilla de flama.....	91	Accesorios vendidos por separado.....	115
Instalación de la manija de la cubierta deslizante		Recetas .....	115
de la rejilla de flama.....	92		
Instalación de los componentes de cocina .....	92		
Instalación de los componentes de ahumador .....	92		
Instalación de los ganchos de carne .....	93		
Instalación de la cubeta de grasa.....	93		
Conexión a una fuente de alimentación eléctrica .....	93		

## PARTES Y ESPECIFICACIONES

N°	Description
1	Cubierta de chimenea (x2)
2	Chimenea (x2)
3	Barril principal/Conjunto de tolva (x1)
4	Gancho de carne en S (x6)
5	Parrilla de cocción del ahumador (x4)
6	Bandeja de grasa (x1)
7	Conjunto de manija de la tapa (x1)
8	Ensamblaje del mango de la tapa de la tolva (x1)
9	Sensor para carne (x2)
10	Soporte del cenicero (x1)
11	Cenicero (x1)
12	Tablero delantero del carrito (x1)
13	Pata trasera izquierda (x1)
14	Rueda (x2)
15	Pata delantera izquierda (x1)
16	Repisa inferior (x1)
17	Ruedas con seguro (x2)
18	Pata delantera derecha (x1)
19	Pata trasera derecha (x1)
20	Cubeta de grasa (x1)
21	Mesa lateral (x1)
22	Conector de la manija de la cubierta deslizante de la rejilla de flama (x1)
23	Manija de la cubierta deslizante de la rejilla de flama (x1)
24	Perilla (x3)
25	Soporte de la manija de la cubierta deslizante de la rejilla de flama (x1)
26	Placa principal de rejilla de flama (x1)
27	Cubierta deslizante de la rejilla de flama (x1)

N°	Description
28	Parrillas de cocción recubiertas de porcelana (x2)
29	Estante calefactor de acero con revestimiento de porcelana (x1)
A	Tornillos (x38)
B	Tornillos (x5)
C	Tornillos (x17)
D	Tornillos (x1)

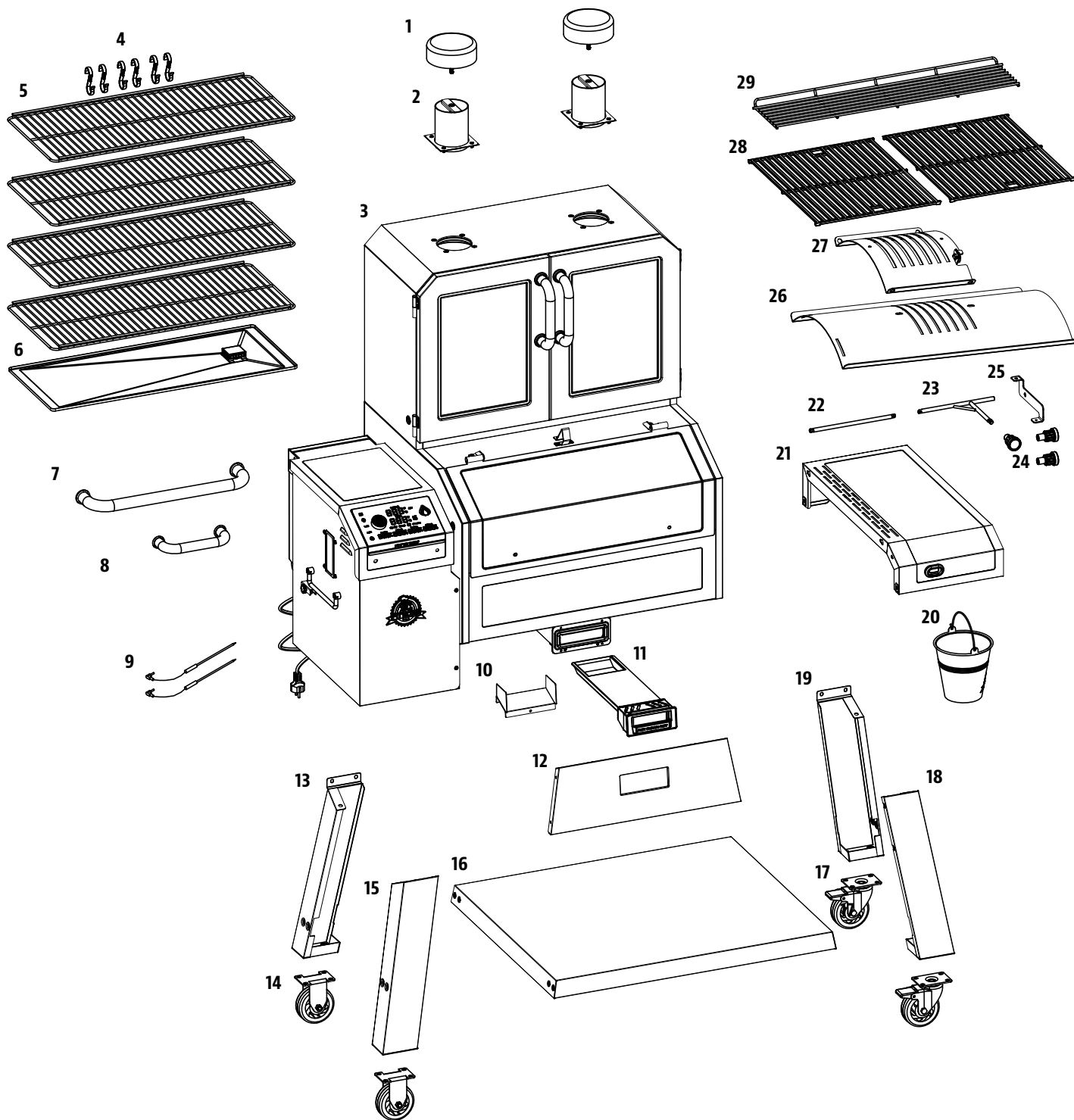
NOTA: Debido a que los productos están en desarrollo constante, las partes están sujetas a cambios sin previo aviso. Llame a Servicio al Cliente si le faltan partes al ensamblar la unidad.

**PB – REQUISITOS DE ALIMENTACIÓN ELÉCTRICA**  
120V, 60HZ, 300W, CONECTOR DE 3 CLAVIJAS CON TIERRA

Diagrama ilustrativo en la siguiente página.

MODELO	UNIDAD ENSAMBLADA (An. x Al. x Prof.)	PESO DE LA UNIDAD	ÁREA PARA COCINAR	RANGO DE TEMPERATURAS	FUNCIONES DIGITALES	
PB PB2180LK	1400mm x 1700mm x 780mm / 55 pu x 66.9 pu x 30.7 pu	121 kg / 266,7 lb	Principal - 3522,6 cm <sup>2</sup> / 546 pu. cu. Parrilla superior - 1190,6 cm <sup>2</sup> / 184 pu. cu. <b>TOTAL - 4713,2 cm<sup>2</sup> / 730 pu. cu.</b> <b>TOTAL GRILL - 14429 cm<sup>2</sup> / 2236 pu. cu.</b>	Cocina cúbica: 0,22 m <sup>3</sup> / 7,7 ft <sup>3</sup> <b>TOTAL - 9716 cm<sup>2</sup> / 1506 pu. cu.</b>	82-260°C / 180-500°F	Catorce temperaturas preconfiguradas, ciclos de arranque y enfriamiento, encendedor eléctrico

# PARTES Y ESPECIFICACIONES



# PREPARACIÓN DEL ENSAMBLAJE

Hay partes ubicadas en toda la caja de embarque, incluso debajo del asador. Inspeccione el asador, las partes y el paquete de accesorios antes de sacarlos de la caja de embarque. Deseche todos los materiales de embalaje desde el interior y el exterior de la parrilla antes del ensamblaje, luego revise e compárelas con la lista de referencia. Si hay partes faltantes o dañadas, no intente ensamblar el producto. Los daños por transporte no están cubiertos por la garantía. Comuníquese con su distribuidor o con Servicio al Cliente de Pit Boss para solicitar partes: De lunes a domingo, de 4 a.m. a 8 p.m., hora del Pacífico (EN/FR/ES).

[service@pitboss-grills.com](mailto:service@pitboss-grills.com) | Línea sin costo: 1-877-303-3134 | Fax sin costo: 1-877-303-3135

**IMPORTANTE:** Para facilitar la instalación, es útil (pero no necesario) contar con dos personas para ensamblar esta unidad.

Herramientas requeridas para el ensamblaje: destornillador y nivel. *Las herramientas no están incluidas.*



## INSTRUCCIONES DE ENSAMBLAJE

**IMPORTANTE:** Se recomienda leer cada paso en su totalidad antes de comenzar el ensamblaje. No apriete por completo los tornillos hasta que haya colocado todos los tornillos de ese paso. Las combinaciones de accesorios que incluyan una arandela de seguridad y una arandela deben instalarse con la arandela de seguridad más cerca de la cabeza del tornillo.

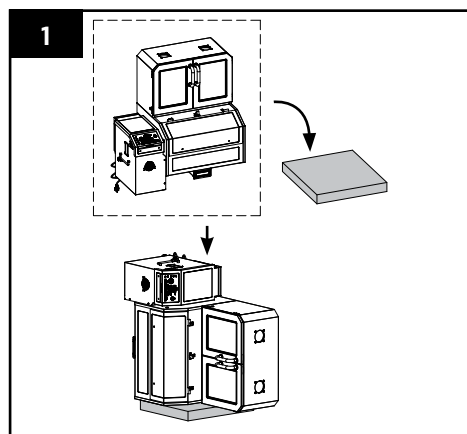
### 1. SACAR LOS COMPONENTES DE LA CAJA

#### Partes requeridas:

1 x Barril principal/Conjunto de tolva (#3)

#### Instalación:

- Abra la caja de color.
- Saque todos los componentes del ahumador y la cámara de combustión.
- Coloque un trozo de tablero de espuma en el piso para evitar que la unidad se raspe.
- Coloque el conjunto de asador principal y tolva sobre su lado derecho, en el tablero de espuma.



### 2. FIJACIÓN DE LAS PATAS DELANTERAS AL ASADOR

#### Partes requeridas:

1 x Pata delantera izquierda (#15)

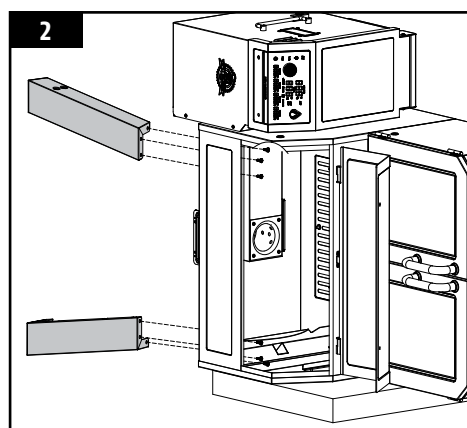
1 x Pata delantera derecha (#18)

1 x Barril principal/Conjunto de tolva (#3)

6 x Tornillos (#A)

#### Instalación:

- Abra la tapa de la cámara de combustión.
- Monte la pata delantera izquierda y la pata delantera derecha en la parte inferior del conjunto de asador y tolva.



**NOTA:** Apriete los tornillos de las patas de soporte solo parcialmente para facilitar el siguiente paso.

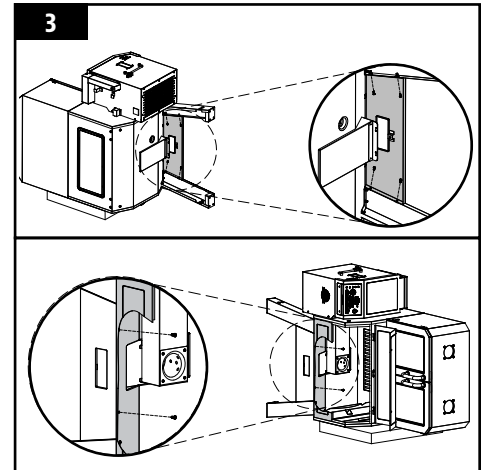
### 3. INSTALACIÓN DEL PANEL DELANTERO AL ASADOR

#### Partes requeridas:

- 1 x Tablero delantero del carrito (#12)
- 1 x Barril principal/Conjunto de tolva (#3)
- 4 x Tornillos (#C)
- 2 x Tornillos (#A)

#### Instalación:

- Monte el tablero delantero del carrito en la parte inferior del conjunto de asador y tolva.



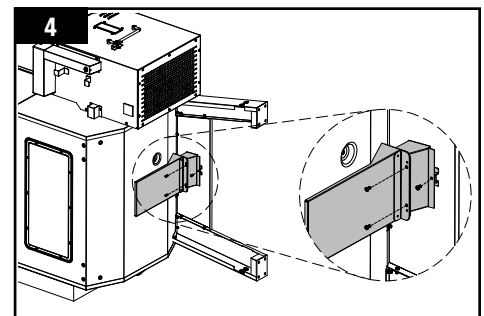
### 4. INSTALACIÓN DEL SOPORTE DEL CENICERO

#### Partes requeridas:

- 1 x Soporte del cenicero (#9)
- 1 x Barril principal/Conjunto de tolva (#3)
- 3 x Tornillos (#C)

#### Instalación:

- Monte el soporte del cenicero entre la parte inferior del conjunto de asador y tolva y el tablero delantero del carrito.



### 5. FIJACIÓN DE LAS PATAS DELANTERAS A LA REPISA INFERIOR

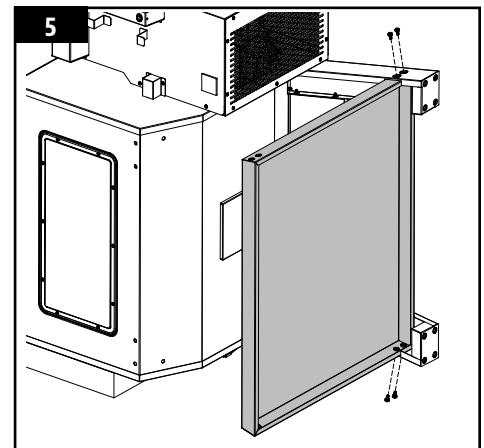
#### Partes requeridas:

- 1 x Repisa inferior (#16)
- 4 x Tornillos (#A)

#### Instalación:

- Monte la pata delantera izquierda y la pata delantera derecha a la repisa inferior.

**NOTA:** Apriete los tornillos de las patas de soporte solo parcialmente para facilitar el siguiente paso.



## 6. FIJACIÓN DE LAS PATAS TRASERAS AL ASADOR

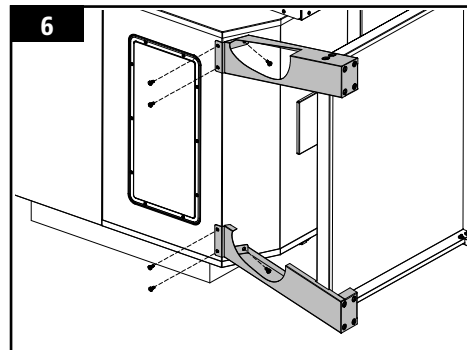
### Partes requeridas:

- 1 x Pata trasera izquierda (#13)
- 1 x Pata trasera derecha (#19)
- 1 x Barril principal/Conjunto de tolva (#3)
- 6 x Tornillos (#A)

### Instalación:

- Monte la pata trasera izquierda y la pata trasera derecha en la parte inferior del conjunto de asador y tolva

**NOTA:** Apriete los tornillos de las patas de soporte solo parcialmente para facilitar el siguiente paso.



## 7. FIJACIÓN DE LAS PATAS DELANTERAS A LA REPISA INFERIOR

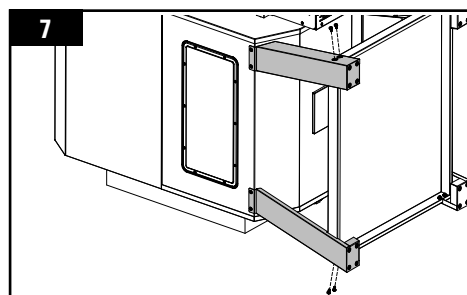
### Partes requeridas:

- 1 x Barril principal/Conjunto de tolva (#3)
- 1 x Repisa inferior (#16)
- 4 x Tornillos (#A)

### Instalación:

- Monte la pata trasera izquierda y la pata trasera derecha en la repisa inferior.

**NOTA:** Una vez que coloque todos los tornillos, apriételos bien a las patas



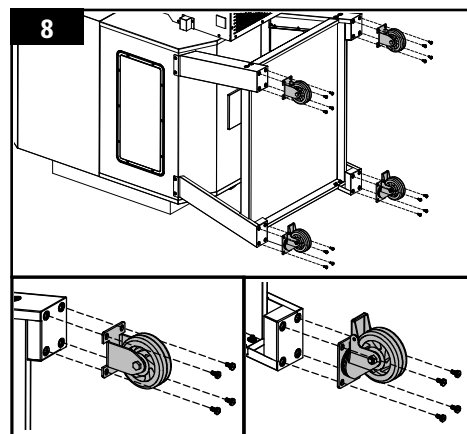
## 8. CONEXIÓN DE LAS RUEDAS AL CARRITO

### Partes requeridas:

- 1 x Barril principal/Conjunto de tolva (#3)
- 2 x Ruedas con seguro (#17)
- 2 x Ruedas (#14)
- 16 x Tornillos (#A)

### Instalación:

- Monte las ruedas giratorias en 2 patas izquierdas y las ruedas giratorias de bloqueo en 2 patas derechas



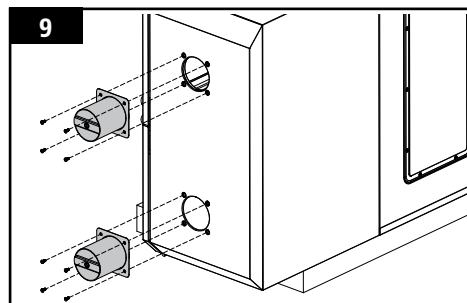
## 9. MONTAJE DE LA CHIMENEA AL ASADOR

### Partes requeridas:

- 2 x Chimenea (#2)
- 1 x Barril principal/Conjunto de tolva (#3)
- 8 x Tornillos (#C)

### Instalación:

- Monte la chimenea en el conjunto de asador y tolva.



## 10. FIJACIÓN DE LA TAPA DE LA CHIMENEA

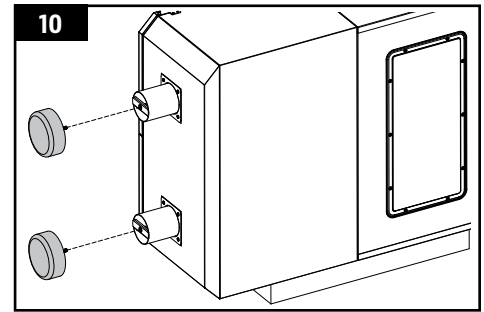
### Partes requeridas:

- 2 x Cubierta de chimenea (#1)

### Instalación:

- Monte la tapa de la chimenea en la chimenea.

**NOTA:** Ajuste la tapa de la chimenea para modificar el flujo de aire dentro del asador.



## 11. COLOCACIÓN DEL ASADOR AL DERECHO

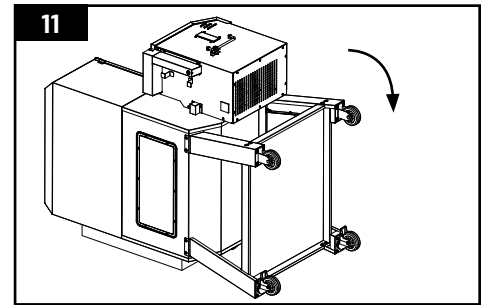
### Partes requeridas:

- 1 x Barril principal/Conjunto de tolva (#3)
- 2 x Ruedas con seguro (#17)

### Instalación:

- Asegúrese de que todas las ruedas con seguro estén bloqueadas.
- Levante el asador.

**IMPORTANTE:** Vuelva a apretar los tornillos de la pata de soporte para asegurarse de que están totalmente sujetos después de poner al asador al derecho.



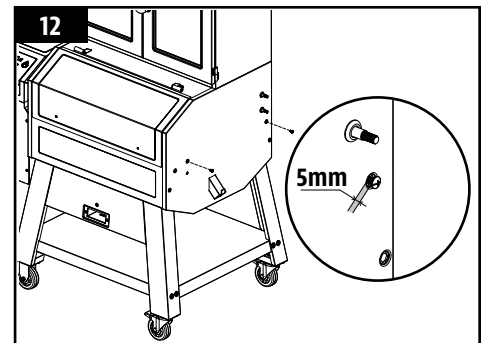
## 12. FIJACIÓN DE LOS TORNILLOS AL LADO DE LA CÁMARA PRINCIPAL

### Partes requeridas:

- 1 x Barril principal/Conjunto de tolva (#3)
- 2 x Tornillos (#B)

### Instalación:

- Fije 2 tornillos al lado derecho de la cámara principal y deje alrededor de 1/4 de pulgada fuera.



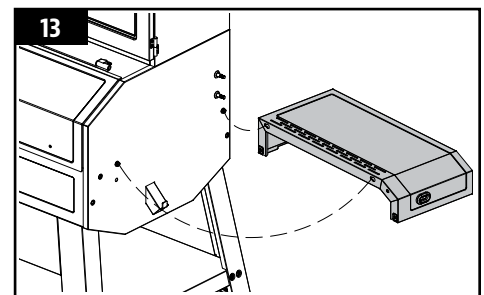
## 13. INSTALACIÓN DE LA MESA LATERAL

### Partes requeridas:

- 1 x Barril principal/Conjunto de tolva (#3)
- 1 x Mesa lateral (#21)

### Instalación:

- Cuelgue la mesa lateral derecha sobre esos dos tornillos y luego empuje hacia la izquierda para asentarla.





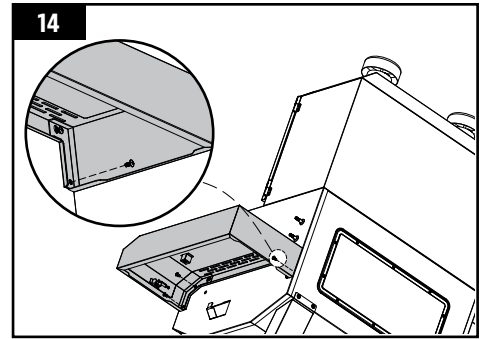
## 14. FIJACIÓN DE LA MESA LATERAL

### Partes requeridas:

- 1 x Barril principal/Conjunto de tolva (#3)
- 1 x Mesa lateral (#21)
- 3 x Tornillos (#B)

### Instalación:

- Apriete los tornillos firmemente.



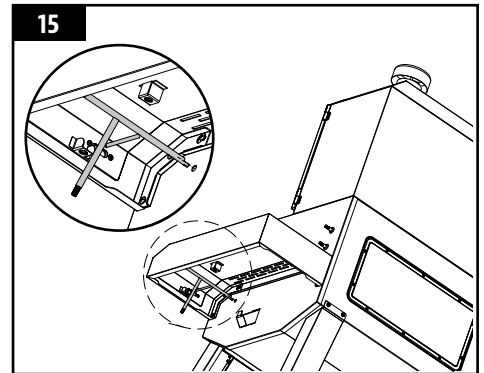
## 15. INSTALACIÓN DE LA MANIJA DE LA REJILLA DE FLAMA (LADO DEL ORIFICIO)

### Partes requeridas:

- 1 x Barril principal/Conjunto de tolva (#3)
- 1 x Manija de la cubierta deslizante de la rejilla de flama (#23)

### Instalación:

- Inserte la manija lateral de la rejilla de flama (con el lado del orificio) en el orificio del tablero derecho del conjunto de asador y tolva.



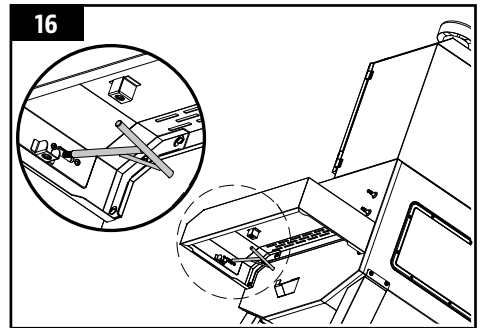
## 16. INSTALACIÓN DE LA MANIJA DE LA REJILLA DE FLAMA (LADO DE LA PERILLA)

### Partes requeridas:

- 1 x Barril principal/Conjunto de tolva (#3)
- 1 x Manija de la cubierta deslizante de la rejilla de flama (#23)
- 1 x Mesa lateral (#21)

### Instalación:

- Inserte la manija lateral de la rejilla de flama (con el lado de la perilla) en el orificio de la mesa lateral.



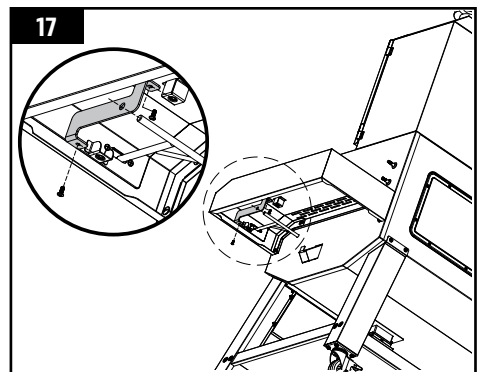
## 17. MONTAJE DEL SOPORTE DE LA MANIJA DE LA REJILLA DE FLAMA

### Partes requeridas:

- 1 x Barril principal/Conjunto de tolva (#3)
- 1 x Soporte de la manija de la cubierta deslizante de la rejilla de flama (#25)
- 1 x Mesa lateral (#21)
- 2 x Tornillos (#C)

### Instalación:

- Monte el soporte de la manija de la cubierta deslizante de la rejilla de flama en la mesa lateral.



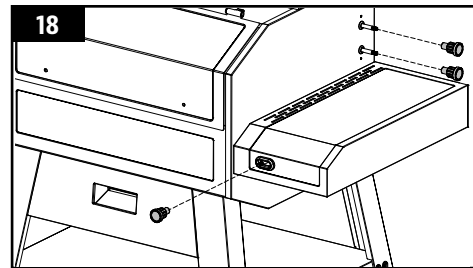
## 18. INSTALACIÓN DE LAS PERILLAS

### Partes requeridas:

- 1 x Barril principal/Conjunto de tolva (#3)
- 3 x Perillas (#24)

### Instalación:

- Coloque tres perillas en las tres manijas.



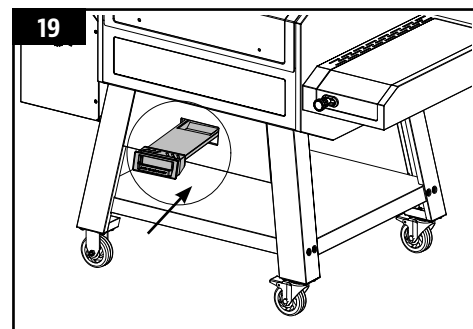
## 19. INSTALACIÓN DEL CONJUNTO DE LIMPIEZA DE CENIZAS

### Partes requeridas:

- 1 x Barril principal/Conjunto de tolva (#3)
- 1 x Cenicero (#11)
- 1 x Tablero delantero del carrito (#12)

### Instalación:

- Empuje el cenicero en el soporte del cenicero.



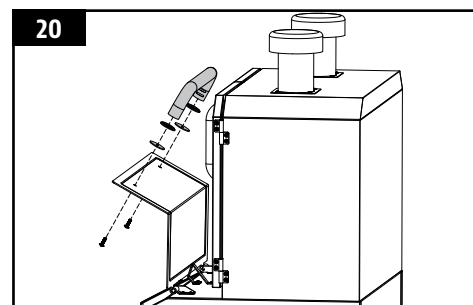
## 20. INSTALACIÓN DE LA MANIJA DE LA TAPA DEL ASADOR

### Partes requeridas:

- 1 x Barril principal/Conjunto de tolva (#3)
- 1 x Conjunto de manija de la tapa (#7)

### Instalación:

- Quite los dos tornillos preinstalados del conjunto de manija de la tapa, monte el conjunto de manija de la tapa en la tapa del conjunto de asador y tolva.



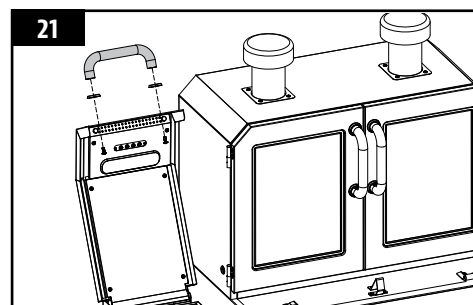
## 21. INSTALACIÓN DE LA MANIJA DE LA TAPA DE LA TOLVA

### Partes requeridas:

- 1 x Barril principal/Conjunto de tolva (#3)
- 1 x Conjunto de tapa de la tolva (#8)

### Instalación:

- Quite los dos tornillos preinstalados del conjunto de manija de la tapa de la tolva, monte el conjunto de manija de la tapa de la tolva en la tapa de la tolva.



## 22. MONTAJE DE LOS COMPONENTES DE LA REJILLA DE FLAMA

### Partes requeridas:

- 1 x Barril principal/Conjunto de tolva (#3)
- 1 x Placa principal de rejilla de flama (#26)
- 1 x Cubierta deslizable de la rejilla de flama (#27)

### Instalación:

- Coloque la cubierta deslizable de la rejilla de flama encima de la placa principal de la rejilla de flama, con la lengüeta elevada en el lado derecho. Asegúrese de que las dos lengüetas de la cubierta deslizable queden sobre los orificios de ranura de la placa principal, cubriendo las ranuras. Consulte la ilustración 23A.
- Inserte la placa principal de la rejilla de flama en el asador principal. Apoye la placa principal de la rejilla de flama sobre el borde integrado (en la parte interior derecha) del asador principal, que dirige la grasa hacia la cubeta. Deslice toda la pieza hacia el lado izquierdo, y las dos ranuras en la placa principal de la rejilla de flama encajarán en el borde redondeado encima de la cámara de combustión. Quedará ligeramente inclinada. Consulte la ilustración 23B.
- Ambas partes de la rejilla de flama tienen una ligera capa de aceite para evitar la oxidación durante el transporte.

**IMPORTANTE:** Si la parrilla principal está en la base del barril, se instaló incorrectamente. Una instalación incorrecta puede dañar el barril principal del asador.

## 23. INSTALACIÓN DE LA MANIJA DE LA CUBIERTA DESLIZANTE DE LA REJILLA DE FLAMA

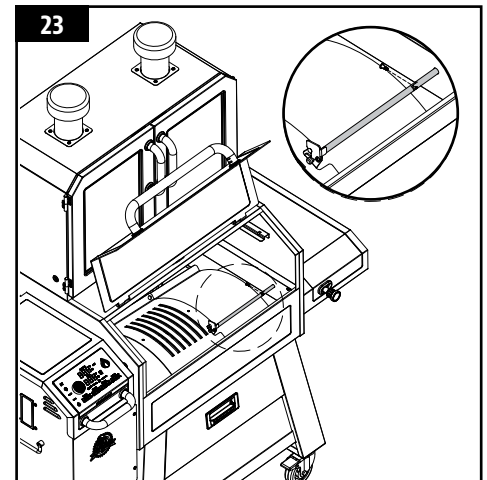
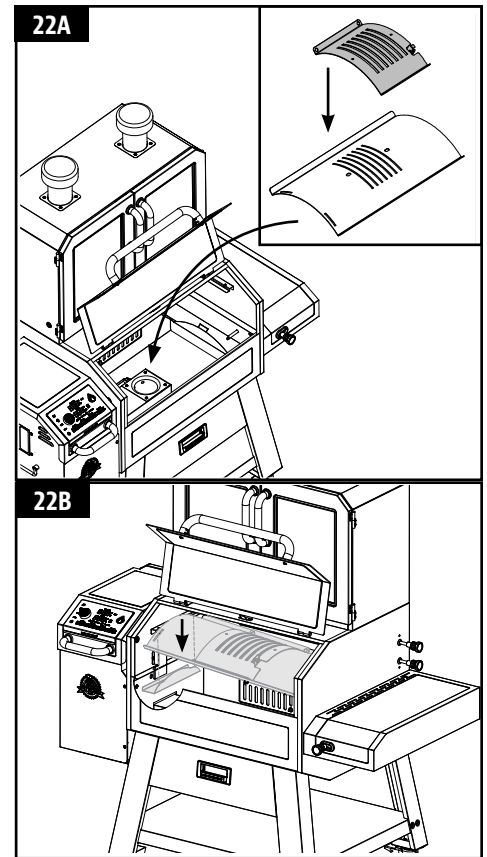
### Partes requeridas:

- 1 x Barril principal/Conjunto de tolva (#3)
- 1 x Placa principal de rejilla de flama (#26)
- 1 x Cubierta deslizable de la rejilla de flama (#27)
- 1 x Conector de la manija de la cubierta deslizable de la rejilla de flama (#22)
- 1 x Manija de la cubierta deslizable de la rejilla de flama (#23)
- 1 x Tornillos (#D)

### Instalación:

- Libere la lengüeta elevada, deslice el lado con muesca del conector de manija de la cubierta deslizable de la rejilla de flama hasta la lengüeta elevada de la cubierta deslizable de la rejilla de flama, y fije el conector de manija de la cubierta deslizable de la rejilla de flama a la manija de la cubierta deslizable de la rejilla de flama con un tornillo, para permitir el acceso ajustable a la cubierta deslizable de la parrilla principal.

**NOTA:** Cuando la cubierta deslizable está abierta y se usa fuego directo para cocinar, no deje el asador sin atención en ningún momento.



## 24. INSTALACIÓN DE LOS COMPONENTES DE COCINA

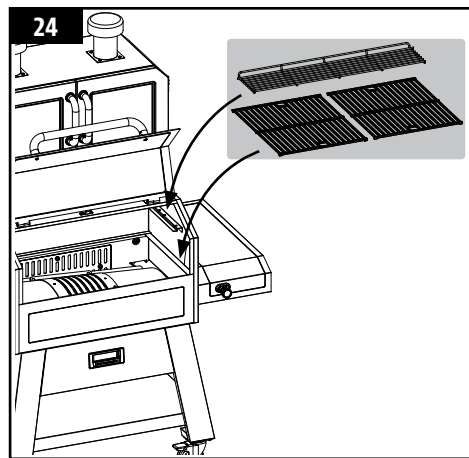
### Partes requeridas:

- 1 x Barril principal/Conjunto de tolva (#3)
- 2 x Parrillas de cocción recubiertas de porcelana (#28)
- 1 x Parrilla de calentamiento de hierro fundido revestida de porcelana (#29)

### Instalación:

- Coloque las parrillas lado a lado en el borde que está dentro del asador principal.
- Coloque la parrilla de calentamiento superior en el borde superior dentro del asador principal. La parrilla de calentamiento encajará en su sitio.

**NOTA:** Para mantener el mejor desempeño en sus parrillas de cocción, es necesario darles cuidado y mantenimiento con regularidad.



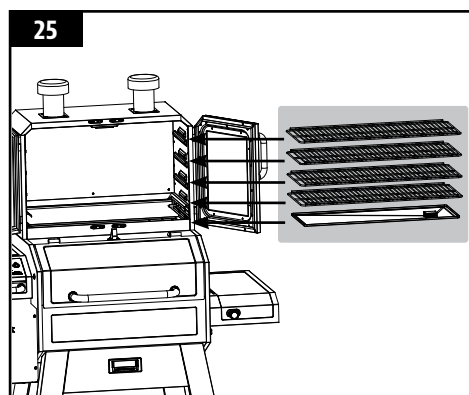
## 25. INSTALACIÓN DE LOS COMPONENTES DE AHUMADOR

### Partes requeridas:

- 1 x Barril principal/Conjunto de tolva (#3)
- 4 x Parrilla de cocción del ahumador (#5)
- 1 x Bandeja de grasa (#6)

### Instalación:

- Cierre la tapa de la cámara principal.
- Abra la puerta del ahumador.
- De abajo hacia arriba, coloque 1 bandeja de grasa y 4 parrillas de cocción del ahumador.



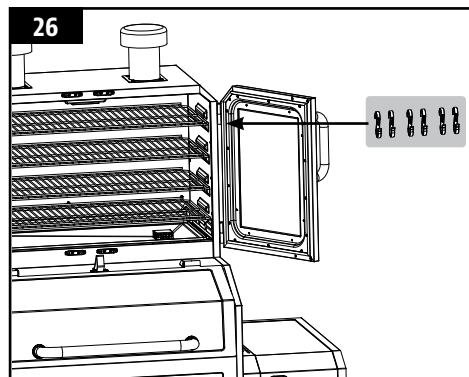
## 26. INSTALACIÓN DE LOS GANCHOS DE CARNE

### Partes requeridas:

- 1 x Barril principal/Conjunto de tolva (#3)
- 6 x Gancho de carne en S (#4)
- 4 x Parrilla de cocción del ahumador (#5)

### Instalación:

- Cuelgue el gancho de carne en S en la parrilla de cocción del ahumador.



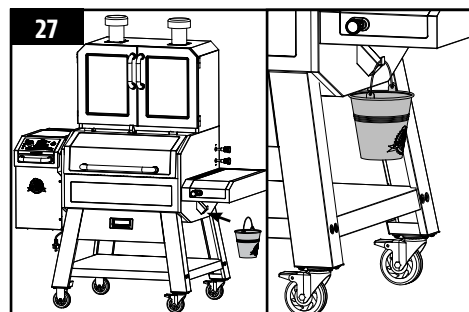
## 27. INSTALACIÓN DE LA CUBETA DE GRASA

### Partes requeridas:

- 1 x Barril principal/Conjunto de tolva (#3)
- 1 x Cubeta de grasa (#20)

### Instalación:

- Cuelgue la cubeta de grasa bajo la mesa lateral derecha.
- La unidad ya está completamente ensamblada.



## 28. CONEXIÓN A UNA FUENTE DE ALIMENTACIÓN ELÉCTRICA

**NOTA:** Antes de conectar su Pit Boss a un tomacorriente, asegúrese de que el control de temperatura se encuentra en la posición "OFF" ("APAGADO").

- **TOMACORRIENTE ESTÁNDAR**

Este aparato requiere servicio de 110 voltios, 60hz, 300w, 5 amps. Debe usar un enchufe de 3 clavijas con conexión a tierra. Asegúrese de que la clavija de tierra no esté rota antes de usarlo. El control utiliza un fusible rápido de 120 voltios, 5 amps para proteger el circuito del encendedor.

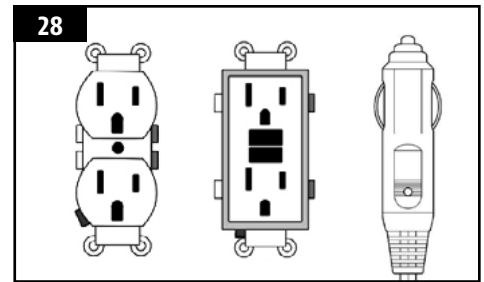
- **TOMACORRIENTES GFCI**

Este aparato funciona con la mayoría de los tomacorrientes GFCI, con una capacidad recomendada de 15 amps. Si su tomacorriente GFI es muy sensible a los picos de voltaje, muy probablemente se disparará durante la fase de arranque. Durante la fase de arranque, el encendedor consume de 200 a 700 watts de electricidad, que puede ser demasiado para un tomacorriente GFCI. Cada vez que se dispara, aumenta su sensibilidad. Si el GFCI se dispara constantemente, reemplace el tomacorriente o cámbielo por uno que no sea GFCI.

- **EN CUALQUIER LUGAR**

Desconecte el encendedor de la alimentación principal. Use el procedimiento de arranque manual. Una unidad Pit Boss puede operar con un invertidor de 12 volts, 100 watts conectado a su automóvil. Para usar el encendedor automático, se recomienda que utilice un invertidor de por lo menos 1000 watts.

**IMPORTANTE:** Desconecte la unidad de la alimentación eléctrica cuando no la use.



# INSTRUCCIONES DE OPERACIÓN

Con el estilo de vida moderno en el que nos esforzamos para comer alimentos saludables y nutritivos, un factor a considerar es la importancia de reducir la ingesta de grasas. Una de las mejores maneras de reducir la grasa de su dieta es utilizar un método de cocción bajo en grasas, como el asado. Dado que un asador de pellets usa pellets de madera natural, el sabor de la madera se integra a las carnes, lo que reduce la necesidad de usar salsas con alto contenido de azúcares. A lo largo de este manual notará un énfasis en asar la comida lentamente, a temperaturas BAJAS o MEDIAS.

## ENTORNO DEL ASADOR

### 1. EN DÓNDE COLOCAR EL ASADOR

Con todos los aparatos para exteriores, las condiciones climatológicas externas tendrán un papel importante en el desempeño de su asador y en los tiempos de cocción necesarios para perfeccionar sus comidas.

Todas las unidades Pit Boss requieren un espacio libre mínimo de 914 mm (36 pulg.) de separación de materiales combustibles, y este espacio debe mantenerse todo el tiempo que se use el asador. Este aparato no debe colocarse bajo un techo o saliente de material combustible. Mantenga su asador en un área libre de materiales combustibles, gasolina y otros vapores y líquidos inflamables.

### 2. COCINA EN CLIMAS FRÍOS

Conforme la temperatura exterior se vuelva más fría, ¡no significa que la temporada de asar se ha terminado! El aire fresco y delicioso aroma de la comida ahumada ayudará a curar la depresión invernal.

Aproveche estas sugerencias para disfrutar de su asador durante los meses fríos:

- Si no es posible ahumar a bajas temperaturas, aumente ligeramente la temperatura para lograr el mismo resultado.
- Organícese – Prepare todo lo que necesitará en la cocina antes de salir al exterior. Durante el invierno, mueva su asador a un área que esté a cubierto del viento y el frío directo. Revise las ordenanzas locales sobre la proximidad del asador a su hogar y/o a otras estructuras. Ponga todo lo que necesita en una bandeja, ¡abriguese bien y hágalo!
- Para ayudarle a tener presente la temperatura exterior, coloque un termómetro para exteriores cerca del área en la que cocina. Lleve una bitácora o diario de lo que cocinó, la temperatura exterior y el tiempo de cocido. Esto le ayudará en el futuro para determinar qué cocinar y cuánto se tardará.
- En clima muy frío, aumente su tiempo de precalentado al menos 20 minutos.
- Trate de no levantar la tapa más de lo necesario. Las rachas de viento frío podrían enfriar completamente la temperatura de su asador. Sea flexible con su tiempo para servir; añadir minutos adicionales al tiempo de cocción cada vez que abra la tapa.
- Tenga un hornillo y o una cubierta listos para mantener su comida caliente mientras la lleva al interior.
- Los alimentos ideales para cocinar en invierno son los que requieren poca atención, como asados, pollos enteros, costillas y pavos. Facilite aún más la preparación de sus comidas añadiendo elementos simples, como verduras y papas.

### 3. COCINA EN CLIMAS CALIENTES

Conforme esté más caliente en el exterior, el tiempo de cocción se reducirá.

Siga estas sugerencias para disfrutar de su asador durante los meses cálidos:

- Ajuste sus temperaturas de cocción a la baja. Esto ayuda a evitar las llamaradas indeseables.
- Use un termómetro de carnes para determinar la temperatura interna de sus comidas. Esto ayuda a evitar que su carne se cocine demasiado y se seque.
- Incluso en climas cálidos, es mejor cocinar con la tapa del asador abajo.
- Puede mantener las comidas calientes envolviéndolas en papel aluminio y colocándolas en un recipiente con aislamiento térmico. Coloque bolas de papel periódico alrededor del papel aluminio y mantendrá la comida caliente de 3 a 4 horas.

## RANGOS DE TEMPERATURAS DEL ASADOR

Las lecturas de temperatura en el tablero de control podrían no coincidir exactamente con las del termómetro. Todas las temperaturas mencionadas abajo son aproximadas y se ven afectadas por los siguientes factores: temperatura ambiente en el exterior, cantidad y dirección del viento, calidad de los pellets que se utilizan, si la tapa está abierta, y la cantidad de comida que se está preparando.

- **TEMPERATURAS ALTAS (205-315 °C / 401-500 °F)**

Este rango es útil para marcar la carne y asar con calor alto. Use en conjunto con la rejilla de flama para cocinar a fuego directo o indirecto. Con **la rejilla de flama abierta**, se usa fuego directo para crear esos bistecs "azules", así como verduras cocinadas ligeramente, pan de ajo tostado, ¡o bombones! Cuando **la rejilla de flama está cerrada**, el aire circula alrededor del barril, generando calor de convección. Las temperaturas altas también se usan para precalentar su asador, limpiar las parrillas de cocción con calor, y para lograr un calor elevado en condiciones de clima extremadamente frío.

- **TEMPERATURAS MEDIAS (135-180 °C / 275-356 °F)**

Este rango es mejor para hornear, cocer y terminar esa creación ahumada lentamente. Cocinar a estas temperaturas reducirá en gran medida las probabilidades de una llamarada de grasa. Asegúrese de que la cubierta deslizante de la rejilla de flama esté en la posición cerrada, cubriendo las aberturas. Este es un rango excelente para cocinar cualquier cosa que esté envuelta en tocino, o cuando quiera versatilidad en el control.

- **TEMPERATURAS BAJAS (80-125 °C / 176-257 °F)**

Este rango se usa para asar lento, aumentar el sabor del ahumando y mantener caliente la comida. Infunda más sabor ahumado y mantenga la carne jugosa al cocinarla más tiempo a una temperatura más baja (esto también se conoce como **bajo y lento**). Muy recomendable para el pavo de Acción de Gracias, un jugoso jamón para la Pascua, o un enorme banquete para las fiestas.

El ahumado es una variación del asado, y es la principal ventaja de cocinar en un asador de pellets de madera. El **ahumado caliente**, que es otro nombre para cocinar "**bajo y lento**", generalmente se hace a 80-125 °C / 176-257 °F. El ahumado caliente funciona mejor cuando se necesita un tiempo de cocción más largo, como para cortes de carne, pescados o aves grandes.

**CONSEJO: Para un sabor más intenso, cambie al rango de temperatura de ahumado (bajo) inmediatamente después de poner su comida en el asador. Esto permite que el humo penetre en las carnes.**

La clave está en experimentar con el tiempo que deja ahumar antes de que la comida termine de prepararse. Algunos chefs de exteriores prefieren ahumar al terminar de cocinar, lo que permite mantener la comida caliente hasta que está lista para servirse. ¡La práctica hace al maestro!

## RANGOS DE TEMPERATURA DEL AHUMADOR

Las lecturas de temperatura en el panel de control podrían no coincidir exactamente con las del termómetro. Todas las temperaturas mencionadas abajo son aproximadas y se ven afectadas por los siguientes factores: temperatura ambiente en el exterior, cantidad y dirección del viento, calidad de los pellets que se utilizan, si la puerta del gabinete está abierta y la cantidad de comida que se está preparando.

- **ALTAS TEMPERATURAS (190-215°C / 375-420°F)**

Este rango se usa para asar a alta temperatura, sin contacto con la llama. Las temperaturas altas también se usan como la temperatura de quemado para limpiar las parrillas de cocción después de usarlas. Asimismo, se pueden usar las altas temperaturas en condiciones climáticas extremadamente frías para compensar el contraste entre las temperaturas de afuera y dentro de la unidad.

- **TEMPERATURAS MEDIAS (135-177°C / 275-350°F)**

Este rango es mejor para hornear, cocer y terminar esa creación ahumada lentamente. Cocinar a estas temperaturas reducirá en gran medida las probabilidades de una llamarada de grasa. Este es un rango excelente para cocinar cualquier cosa que esté envuelta en tocino, o cuando quiera versatilidad en el control.

- **BAJAS TEMPERATURAS (65-122°C / 150-250°F)**

Este rango se usa para asar lento, aumentar el sabor del ahumando y mantener caliente la comida. Infunda más sabor ahumado y mantenga la carne jugosa al cocinarla más tiempo a una temperatura más baja (esto también se conoce como "**bajo y lento**"). Muy recomendable para el gran pavo de Acción de Gracias, un jugoso jamón para la Pascua, o un enorme banquete para las fiestas.

El ahumado es una variación del asado, y es la principal ventaja de cocinar en un ahumador. Hay dos tipos de ahumado: ahumado caliente y ahumado frío.

- El **ahumado caliente**, que es otro nombre para cocinar "**bajo y lento**", generalmente se hace a 82-122 °C / 180-250 °F. El ahumado caliente funciona mejor cuando se necesita un tiempo de cocción más largo, como para cortes de carne, pescados o aves grandes.
- El **ahumado frío** es cuando la comida se encuentra tan lejos del fuego que se ahúma sin cocinarse, y a temperaturas de 15-32 °C / 60-90 °F.

**CONSEJO:** Para un sabor más intenso, cambie al rango de temperatura de ahumado (bajo) inmediatamente después de poner su comida en el ahumador. Esto permite que el humo penetre en las carnes antes de que los poros se cierren alrededor de los 49 °C / 120 °F.

La clave está en experimentar con el tiempo que deja ahumar antes de que la comida termine de prepararse. Algunos chefs de exteriores prefieren ahumar al terminar de cocinar, lo que permite mantener la comida caliente hasta que esté lista para servirse. ¡La práctica hace la perfección!

## EXPLICACIÓN DEL TABLERO DE CONTROL





CONTROLAR	DESCRIPCIÓN
	<p>El botón se encenderá (en blanco) si está conectado a una fuente de alimentación eléctrica. Oprima este botón a <b>Power</b> (Encendido) en la unidad. Mantenga oprimido este botón al menos 2 segundos para apagar la unidad.</p>
 	<p>El <b>marcador de control de temperatura</b> le permite establecer su temperatura de cocción deseada. Una vez que se conecte a una fuente de alimentación electrónica y se presione el Botón Power (Encendido) Oprima y gire la perilla (cuando se seleccione "<b>SET</b>" como se muestra en la imagen 2) para seleccionar entre las trece temperaturas programadas, de 65-260 °C / 150-500 °F. Vuelva a oprimir la perilla para fijar su temperatura seleccionada y regresar a la <b>temperatura real del asador</b> (como se muestra en la figura 3). Si en cualquier momento del proceso de cocción desea ver su temperatura seleccionada, solamente oprima la perilla.</p>
	<p>El botón de <b>cambio de temperatura de la unidad</b> cambia la lectura de la temperatura que aparece en la pantalla LCD. Presione el botón para cambiar la unidades de temperatura a Celsius (°C) o Fahrenheit (°F), como usted prefiera. La configuración predeterminada es Fahrenheit.</p>
	<p>El botón con el foco le permite encender y apagar la luz dentro del asador (<i>en el área de cocción</i>).</p>
	<p>El ícono <b>Smoke iT®</b> muestra la conexión entre su asador y su teléfono vía Bluetooth®, y como resultado puede recibir actualizaciones en vivo sobre la temperatura real del asador y las temperaturas del sensor para carne. También le permite fijar la temperatura de su asador.</p> <p><small>La marca y el logotipo de Bluetooth® son marcas registradas propiedad de Bluetooth SIG, Inc. y cualquier uso de dichas marcas por parte de Espressif está sujeto a una licencia. Otras marcas comerciales y nombres comerciales pertenecen a sus respectivos propietarios.</small></p>
	<p>La <b>pantalla LCD</b> se usa como el centro de información de su unidad. La pantalla LCD mostrará su temperatura de cocción deseada, la temperatura de cocción real y la temperatura del sensor para carne (si está conectado). Si solo hay un sensor para carne conectado, solo se mostrara una lectura. Muestra visualmente su temperatura programada en la forma de un ícono de flama. También muestra la unidad de temperatura, es decir, °F/°C.</p>
<p><b>PRIME</b></p>	<p>Mantenga oprimido el <b>botón de Prime</b> (Preparación) para activar una alimentación adicional de pellets a la cámara de combustión. Esto se puede usar para añadir más combustible al fuego antes de abrir la tapa del asador, logrando así un tiempo de recuperación de calor más rápido. También se puede usar al ahumar, para aumentar la intensidad del sabor limpio ahumado. Solicitado por cocineros competitivos.</p>
<p><b>ACT</b></p>	<p>"<b>ACT</b>" muestra la temperatura real de su asador en ese momento. Oprima la perilla una vez para cambiar entre "SET" y "ACT". De manera predeterminada, la pantalla LCD muestra "ACT".</p>
<p><b>SET</b></p>	<p>"<b>SET</b>" muestra uno de los 13 valores de temperatura preconfigurados en el asador. Oprima la perilla una vez para cambiar entre "ACT" y "SET".</p>
	<p>El ícono de <b>Flama</b> muestra visualmente la temperatura programada, la intensidad del ícono de flama cambia conforme varía entre 250 °F, 350 °F y 450 °F, indicando diferentes rangos de temperatura.</p>
	<p>El ícono de <b>Barreno</b> muestra cuando se activa el motor de su barreno. En ocasiones el símbolo parpadea y la pantalla LCD muestra el mensaje Err, lo que indica que el barreno no está funcionando.</p>
	<p>El ícono de <b>Encendedor</b> muestra el encendido de sus pellets. Si este símbolo está parpadeando y la pantalla LCD muestra Err, significa que su encendedor no está funcionando.</p>
	<p>El ícono de <b>Ventilador</b> muestra que se ha encendido el ventilador. Si este símbolo está parpadeando y la pantalla LCD muestra Err, significa que su ventilador no está funcionando.</p>
<p><b>NO PELLETS</b></p>	<p>Este ícono se activa cuando se acaban los pellets.</p>
<p><b>PROBE 1</b></p> 	<p>Los puertos de conexión detrás de la tapa de la tolva son para los <b>sensores para carne</b>. Cuando un sensor para carne está conectado, la temperatura se muestra en la pantalla LCD. Cuando no se use, desconecte el sensor para carne del puerto de conexión. Hay cuatro (4) puertos para sensores para carne. <i>Solo es compatible con sensores para carne de marca Pit Boss®. Los sensores para carne adicionales se venden por separado.</i></p> 

## CONECTARSE A LA APLICACIÓN SMOKE IT®

Siga estas instrucciones sobre cómo conectar su parrilla a la aplicación Smoke iT® con su dispositivo Android™ o iOS®. La aplicación le permitirá controlar y monitorear las temperaturas de su parrilla y sonda de carne desde su dispositivo móvil. ¡Disfrute de los beneficios que ofrece la conectividad móvil Smoke iT®!

1. Descargue la aplicación Smoke iT®. Abra la aplicación y permita que Bluetooth® esté habilitado para la configuración. Los nuevos usuarios deberán crear una cuenta y seguir las instrucciones para iniciar sesión.
2. Si está dentro del alcance de Bluetooth® (9 m / 30 pies), la aplicación Smoke iT® detectará automáticamente su parrilla. Seleccione su modelo de parrilla. Si no ve su parrilla en la pantalla, asegúrese de que su unidad esté conectada a una fuente de alimentación y esté encendida.
3. Nombre su modelo de parrilla (por ejemplo, mi fumador) en la aplicación y seleccione "Conectar" en la parte inferior de la pantalla. Esto guardará su modelo de parrilla en el menú de dispositivos.
4. Desde el menú de dispositivos, haga clic en el modelo de parrilla para conectarse. Esto le mostrará la pantalla del tablero de control.
5. Haga clic en la opción de configuración (equipo) en la esquina superior derecha, ingrese sus credenciales de Wi-Fi, luego haga clic en la marca de verificación en la parte inferior de la pantalla para conectarse. Ahora los íconos de Bluetooth® y Wi-Fi (nubes) se mostrarán en el menú de dispositivos, mostrando que la parrilla está conectada.

**Mientras usa la aplicación, la pantalla brillará cuando la parrilla esté activa y conectada. Si la pantalla o parrilla de la aplicación se oscurece en el menú de dispositivos, verifique su conexión inalámbrica o fuente de alimentación.**

## USO DE LOS SENSORES

### · *SENSOR DE TEMPERATURA*

Ubicado en el interior del lado de pellets del asador, en la pared de la izquierda. Es una pieza pequeña y vertical de acero inoxidable. El sensor de temperatura mide la temperatura interna del asador. La temperatura que recibimos de este sensor aparece como ACT en la pantalla LCD.

**IMPORTANTE: La temperatura de su unidad depende en gran medida de la temperatura ambiente, la calidad de los pellets usados, el sabor de los pellets y la cantidad de comida que se cocina.**

### · *SENSOR PARA CARNE*

El sensor para carne mide la temperatura interna de su carne en el asador, de manera similar a su horno de cocina. Conecte el adaptador de sensor para carne al puerto de conexión del sensor para carne en el panel de control e inserte el sensor para carne de acero inoxidable en la parte más gruesa de su carne y la temperatura se mostrará en el panel de control. Las temperaturas que recibimos de este sensor aparecen como "Probe (#)" (Sensor #). **Para asegurarse de que el sensor esté bien conectado al puerto de conexión, debe sentir y escuchar cómo entra en su sitio.**

**NOTA: Al colocar el sensor de carne en su carne, asegúrese de que el sensor y los cables no entren en contacto directo con las flamas o el calor excesivo. Esto puede dañar su sensor para carne. Tire del cable sobrante a través del orificio ubicado en el lado izquierdo de la parrilla principal o a través de la parte superior de la parrilla principal (cerca de la bisagra de la tapa). Cuando no se use, desconecte el sensor para carne del puerto de conexión y colóquelo a un lado para mantenerlo protegido y limpio.**

## PROCEDIMIENTO DE PREPARACIÓN DE LA TOLVA

Debe seguir estas instrucciones la primera vez que encienda el asador y cada vez que el asador se quede sin pellets en la tolva. El barreno debe prepararse para permitir que los pellets de madera se desplacen por todo el barreno y llenen la cámara de combustión. **Si no se prepara, el encendedor se agotará antes de que los pellets se enciendan y no se encenderá el fuego.** Siga estos pasos para la preparación de la tolva:

1. Abra la tapa de la tolva. Asegúrese de que no hay objetos extraños en la tolva ni bloqueando el sistema de alimentación por barreno en la parte inferior.
2. Quite todos los accesorios para cocinar del interior del asador. Ubique la cámara de combustión en la parte inferior del asador a pellets.

3. Conecte el cable de alimentación a un tomacorriente. Oprima el **botón Power (Encendido)** para encender la unidad y gire el **marcador de control de temperatura** a la posición SMOKE (Ahumar). Revise los siguientes puntos:
  - Que pueda escuchar el barreno volteándose. Coloque su mano sobre la cámara de combustión y sienta si hay movimiento de aire. No coloque su mano ni sus dedos dentro de la cámara de combustión. De hacerlo podría sufrir lesiones.
  - Después de aproximadamente un minuto debe oler los vapores del encendedor y comenzar a sentir que el aire se calienta dentro de la cámara de combustión. La punta del encendedor no se pone roja, pero se pone extremadamente caliente y puede quemar. No toque el encendedor.
4. Una vez que haya verificado que todos los componentes eléctricos funcionan correctamente, mantenga oprimido el **botón Power (Encendido)** durante 2 segundos para apagar la unidad.
5. Llene la tolva con pellets de madera natural para asador.
6. Oprima el **botón Power (Encendido)** para encender la unidad. Mantenga el **marcador de control de temperatura** en la posición SMOKE (Ahumar). Oprima y sostenga el **botón de Prime (Preparación)** hasta que vea a los pellets en el interior del asador desde el tubo de barreno. Una vez que los pellets empiecen a caer en la cámara de combustión, suelte el **botón de Prime (Preparación)**.
7. Mantenga oprimido el **botón Power (Encendido)** durante 2 segundos para apagar la unidad.
8. Vuelva a colocar los accesorios para cocinar en el barril principal. El asador ya está listo para usar.

## PRIMER USO - "QUEMADO" DEL ASADOR

Una vez que la tolva esté preparada y antes de cocinar por primera vez en su asador, es importante hacer un "quemado" del asador. Encienda el asador y opérela a cualquier temperatura mayor a 176 °C / 350 °F (con la tapa cerrada) durante 30 a 40 minutos para "quemar" el asador y eliminar todas las sustancias extrañas.

**NOTA: Durante el ciclo de arranque, asegúrese de que las perillas de la cubierta deslizante de la rejilla de flama estén hacia el interior y que los respiraderos estén cerrados. Esto le permitirá alcanzar una temperatura más alta en la sección del barril principal.**

## PROCEDIMIENTO DE ARRANQUE AUTOMÁTICO

1. Conecte el cable de alimentación a un tomacorriente con conexión a tierra. Abra la tapa del barril principal. Revise la cámara de combustión y asegúrese de que no hay ninguna obstrucción para un encendido correcto. Abra la tapa de la tolva. Asegúrese de que no hay objetos extraños en la tolva ni en el sistema de alimentación por barreno. Llene la tolva con pellets secos de madera dura natural para asador.
2. Asegúrese de que el **marcador de control de temperatura** esté en la posición SMOKE (Ahumar). Oprima el **botón Power (Encendido)** para encender la unidad. Esto activará el ciclo de arranque. El sistema de alimentación por barreno comenzará a girar, el encendedor empezará a brillar y el ventilador suministrará aire a la cámara de combustión. El asador comenzará a producir humo mientras se realiza el ciclo de encendido. Debe dejar la tapa del barril abierta durante el ciclo de arranque. Para confirmar que el ciclo de arranque inició correctamente escuche el rugido del fuego y confirme que se está produciendo calor.
3. Una vez que el humo blanco y pesado se haya disipado, el ciclo de inicio se habrá completado y estará listo para disfrutar de su parrilla a la temperatura deseada.

## PROCEDIMIENTO PARA FALLAS DEL ENCENDEDOR

**Si por alguna razón su encendedor eléctrico falla o la llama de su parrilla se apaga durante la cocción, revise los siguientes pasos o inicie la parrilla usando el método manual.**

1. Mantenga oprimido el botón Power (Encendido) durante 3 segundos y apague el asador. Abra el asador y déjelo enfriar varios minutos. Saque los utensilios para cocinar del interior al igual que todos los pellets sin quemar y las cenizas de la cámara de combustión. Tenga cuidado, ya que los pellets pueden estar demasiado calientes incluso si el asador está frío. No toque el encendedor para evitar quemarse, ya que podría estar extremadamente caliente.
2. Una vez que haya sacado y limpiado todos los accesorios para cocinar, oprima el **botón Power (Encendido)** para encender la unidad. Gire la perilla de control a **Smoke (Ahumar)**. Verifique lo siguiente:

- Confirme visualmente que el encendedor está funcionando, colocando su mano sobre la cámara de combustión para percibir que haya calor.
  - Confirme visualmente que el encendedor sobresale alrededor de 13 mm/0.5 pulg. en la cámara de combustión.
  - Confirme visualmente que el barreno está depositando los pellets en la cámara de combustión.
  - Confirme que el ventilador de combustión está funcionando, escuchando el rugido del fuego.
3. Si alguno de los puntos anteriores no funciona, siga las instrucciones de Solución de problemas.

## PROCEDIMIENTO DE ARRANQUE MANUAL

1. Asegúrese de que el **marcador de control de temperatura** esté en la posición **SMOKE** (Ahumar). Conecte el cable de alimentación a un tomacorriente con conexión a tierra.
2. Revise la cámara de combustión y asegúrese de que no hay ninguna obstrucción para un encendido correcto. Abra la tapa de la tolva. Asegúrese de que no hay objetos extraños en la tolva ni en el sistema de alimentación por barreno. Llene la tolva con pellets secos de madera dura natural para asador.
3. Abra la tapa del barril. Quite todos los accesorios para cocinar para exponer la cámara de combustión. Coloque una cantidad generosa de pellets en la cámara de combustión. Rocíe iniciador en gel u otro iniciador apropiado para pellets sobre la parte superior de los pellets. También puede usar una pequeña cantidad de iniciador sólido, como los hechos de aserrín y cera, o virutas de madera. Añada otra pequeña cantidad de pellets a la cámara de combustión.

**NOTA: No use licores, petróleo, gasolina, líquido de encendedores o queroseno para encender o avivar el fuego en su asador.**

4. Encienda el contenido de la cámara de combustión con un fósforo largo o un encendedor alargado. Permita que el iniciador arda de 3 a 5 minutos. No intente añadir más iniciador a la cámara de combustión. De hacerlo podría sufrir lesiones.
5. Vuelva a colocar, rápida y cuidadosamente, los accesorios para cocinar en el interior del barril principal. Continúe con el inicio siguiendo el paso dos del **procedimiento de arranque automático**.

## CÓMO APAGAR SU ASADOR

1. Cuando termine de cocinar, con la tapa del barril principal cerrada, presione el **botón de encendido** para apagar la unidad. Esto activará el **ciclo de enfriamiento automático**. El sistema de alimentación dejará de alimentar combustible, la llama se apagará y el ventilador continuará funcionando hasta que se complete el ciclo de enfriamiento. Cuando se complete el ciclo, el ventilador se apagará.

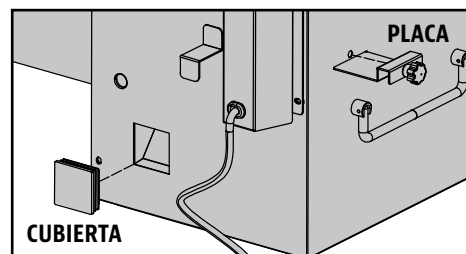
# CUIDADO Y MANTENIMIENTO

Todos los asadores Pit Boss le darán muchos años de delicioso servicio con un mínimo de limpieza. Siga estas indicaciones de mantenimiento y limpieza para dar servicio a su asador:

## 1. CONJUNTO DE TOLVA

- La tolva incluye una función de limpieza para facilitar su limpieza y el cambio de sabores de combustible de pellets. Para vaciarla, encuentre la placa en el costado de la tolva y la cubierta del conducto de bajada en la parte trasera de la tolva. Coloque una cubeta vacía y limpia debajo de la cubierta del conducto de bajada, y luego quite la cubierta. Desatornille la placa, deslícela hacia afuera, y los pellets se vaciarán.

**NOTA: Use un cepillo de mango largo o una aspiradora para sacar el exceso de pellets, el aserrín y los desechos para limpiar bien la cubierta de la tolva.**



- Se recomienda que todos los pellets salgan de su sistema de barrena si su parrilla no se usará por un período prolongado de tiempo. Esto se puede hacer simplemente ejecutando su parrilla, en una tolva vacía, hasta que todos los pellets se hayan vaciado del tubo del sinfín.
- Revise y limpie todos los desechos del respiradero de entrada de aire del ventilador, que está en la parte inferior de la tolva. Una vez que quite el panel de acceso de la tolva (ver el diagrama en el **Diagrama de cableado eléctrico**), limpie cuidadosamente toda la grasa acumulada en las aspas del ventilador. Esto garantiza un flujo de aire apropiado para el sistema de alimentación.

## 2. SENSORES

- Si los cables del sensor están retorcidos o doblados, podría dañarse la pieza. Los cables deben estar enrollados formando una bobina grande y holgada.
- Aunque los sensores son de acero inoxidable, no los coloque en la máquina lavavajillas ni los sumerja en agua. El agua dañará los cables internos y causará cortocircuitos en los sensores, generando lecturas falsas. Si un sensor se daña, será necesario reemplazarlo.

## 3. SUPERFICIES INTERIORES

- Es recomendable limpiar su cámara de combustión después de varios usos. Esto garantizará un encendido adecuado y evitará la acumulación de desechos o ceniza endurecidos en la cámara de combustión.
- Usando un cepillo para limpieza de parrillas, elimine toda la comida y acumulación de residuos de las parrillas de cocción. Es mejor hacerlo mientras siguen calientes de una cocción anterior. Los fuegos de grasa son causados por la caída de demasiados desechos en los componentes de cocción del asador. Limpie el interior de su asador con regularidad. En caso de que experimente un fuego de grasa, mantenga la tapa del asador cerrada para sofocar el fuego. Si el fuego no se apaga con rapidez, quite cuidadosamente la comida, apague el asador y cierre la tapa hasta que el fuego se apague por completo. Espolvoree una pequeña cantidad de bicarbonato de sodio, si tiene disponible.
- Revise su cubeta de grasa con frecuencia, y límpiela cuando sea necesario. Tome en cuenta el tipo de cocina que hace.

**IMPORTANTE: Debido al alto calor, no cubra la rejilla de flama ni los sensores con papel aluminio.**

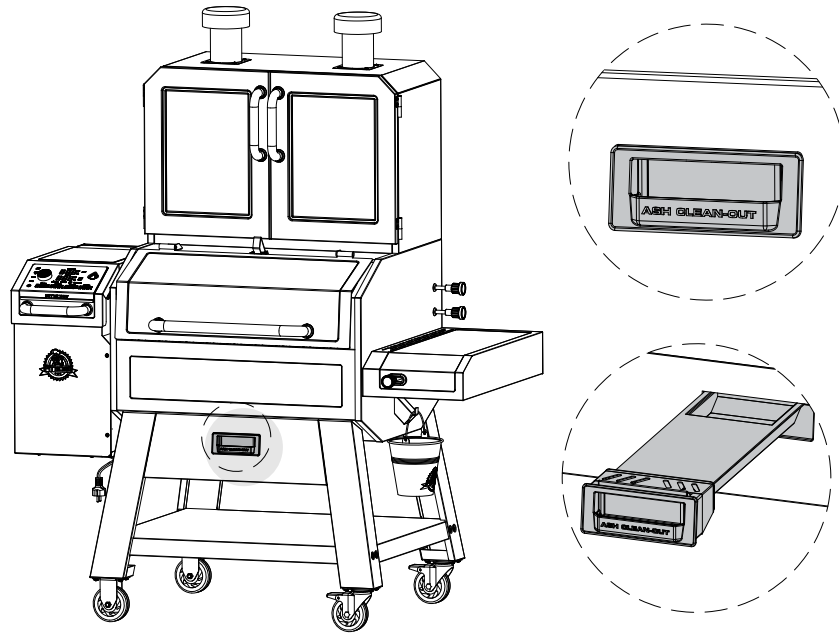
## 4. SUPERFICIES EXTERIORES

- Limpie su ahumador después de cada uso. Use agua jabonosa tibia para cortar la grasa. No utilice limpiador para hornos, limpiadores abrasivos ni fibras abrasivas en las superficies externas del ahumador. **Las superficies pintadas no están cubiertas por la garantía**, sino que son parte del mantenimiento general. En caso de raspones, desgaste o grietas del acabado, puede retocar todas las superficies pintadas con pintura BBQ de alta temperatura.
- ¡Use una cubierta para darle una mayor protección a su ahumador! Una cubierta es la mejor protección contra el clima y los contaminantes externos. Cuando no lo use, o para almacenarlo por períodos prolongados, mantenga el asador bajo una cubierta en una cochera o cobertizo.

## 5. CÓMO LIMPIAR LAS CENIZAS DE LOS QUEMADORES DE PELLETS

- Presione hacia abajo el Ash Tray Locker. Saca el cenicero.
- Una vez que se hayan despejado las cenizas, empuje el cenicero en la ranura hasta que no pueda empujarse.

**NOTA: Esto debe hacerse después de que la parrilla se enfríe.**



**TABLA DE FRECUENCIA DE LIMPIEZA (USO NORMAL)**

ARTÍCULO	FRECUENCIA DE LIMPIEZA	MÉTODO DE LIMPIEZA
Parte inferior del asador principal	Cada 5-6 usos	Sacar con pala o aspiradora los desechos
Cámara de combustión	Cada 2-3 usos	Sacar con pala o aspiradora los desechos
Parrillas de cocción	Después de cada uso	Quemar el exceso de grasa, y usar un cepillo para limpieza de parrillas
Rejilla de flama	Cada 5-6 usos	Raspar la placa principal y la deslizante, no lavar
Bandeja de grasa	Después de cada uso	Fibra de limpieza y agua jabonosa
Sistema de alimentación por barreno	Cuando la bolsa de pellets esté vacía	Dejar que el barreno empuje el aserrín, dejando la tolva vacía
Componentes eléctricos de la tolva	Una vez al año	Sacudir el interior, limpiar las aspas del ventilador con agua jabonosa
Respiradero de entrada de aire	Cada 5-6 usos	Sacudir, fibra de limpieza y agua jabonosa
Sensor de temperatura	Cada 2-3 usos	Fibra de limpieza y agua jabonosa

## USO DEL COMBUSTIBLE DE PELLETS DE MADERA

Estos pellets de madera para asador se queman de manera limpia y generan alrededor de 8200 BTU por libra, con muy poca ceniza, poco contenido de humedad (5-7%) y son neutrales en carbón. Los pellets de madera para asador se producen con material puro en bruto (aserrín) que se pulveriza en un aserradero, y el material se pasa a presión por un troquel. Conforme el pellet pasa por el troquel, se enfría, se inspecciona, se aspira y se empaqueta para su venta al consumidor. Consulte a su distribuidor local respecto a los sabores disponibles en su región.



**MEZCLA DE NOGAL**



**MEZCLA DE CARBÓN**



**MEZCLA DE COMPETENCIA**



**MEZCLA DE MANZANO**



**MEZCLA CLÁSICA**



**MEZCLA DE MEZQUITE**



**MEZCLA DE ÁRBOLES FRUTALES**

**NOTA:** Siempre guarde los pellets de madera en un lugar seco. El contacto o exposición a la humedad, ya que esto resultará en una menor generación de calor o hará que los pellets se hinchen y desmoronen. Use una tina o cubeta hermética a prueba de humedad para almacenarlos correctamente

## LINEAMIENTOS PARA COCINAR

Ahumar y asar pueden dar diferentes resultados dependiendo del tiempo y la temperatura. Para obtener los mejores resultados lleve un registro de lo que cocinó, a qué temperatura, por cuánto tiempo, y los resultados. Ajuste a su gusto la próxima vez. La práctica hace al maestro.

El arte culinario del ahumado caliente significa un tiempo de cocción más largo, pero le da a sus carnes un sabor de madera más natural (y un muy codiciado "anillo rosado"). Las temperaturas de cocción más altas resultan en tiempos de cocción más cortos y menos sabor ahumado.

**CONSEJO:** Para obtener los mejores resultados, deje que las carnes reposen después de cocinarlas. Esto permite que los jugos naturales regresen al interior de la carne, con lo que tendrá un corte mucho más jugoso y sabroso. Los tiempos de reposo pueden ser de 3 minutos hasta 60 minutos, dependiendo del tamaño de la proteína.

ESTILO DE COCINA	AHUMADO CALIENTE (MUY BAJO)	COCIDO (BAJO)	HORNEADO (MEDIO)	ASADO/HORNEADO (MEDIO/ALTO)	MARCADO (ALTO)
Rango de temperaturas	93-135°C / 199-275°F	135-162°C / 275-323°F	162-190°C / 323-374°F	190-232°C / 374-449°F	232-260°C / 449-500°F

AVES	TAMAÑO	Un cuarto - 54°C / 130°F	Medio - 60°C / 140°F	Bien cocido - 77°C / 170°F
Pavo (entero)	4.5-5.0 kg / 10-11 lbs. 5.3-6.4 kg / 12-14 lbs. 6.8-7.7 kg / 15-17 lbs. 8.2-10.0 kg / 18-22 lbs. 10.4-11.3 kg / 23-25 lbs.			Asar de 90 a 120 minutos Asar de 110 a 140 minutos Asar de 130 a 160 minutos Asar de 140 a 170 minutos Asar de 150 a 180 minutos
Pollo (entero)	1.36-2.26 kg / 3-5 lbs.			Asar de 1 a 1.5 horas
Muslos, pechugas	0.45 - 0.86 kg / 1 - 1½ lbs.			Asar de 30 a 60 minutos
Aves de caza pequeñas	0.45 - 0.86 kg / 1 - 1½ lbs.			Asar de 30 a 45 minutos
Pato	1.36-2.26 kg / 3-5 lbs.			Asar o cocer de 2 a 2.5 horas

CERDO	TAMAÑO	Precocido para recalentar 60°C / 140°F	Medio 66°C / 150°F	Bien cocido 71°C / 160°F
Jamón (Porción bien cocida y sin hueso, ahumado para picnic entero y con hueso)	2.5 cm / 1 pulg. 1.36-1.81 kg / 3-4 lbs. 1.81-2.72 kg / 4-6 lbs. 2.26-3.62 kg / 5-8 lbs. 4.53-5.44 kg / 10-12 lbs.	12 minutos 50 minutos a 1 hora 1 a 2 horas 1 a 2½ horas 2 a 2¾ horas		
Asado de lomo	1.36-1.81 kg / 3 - 4 lbs.		1 a 2 horas	2 a 3 horas

<b>Corona de costillas asada</b>	1.81-2.26 kg / 4 - 5 lbs.		1 ½ a 2 horas	2 a 3 horas
<b>Chuleta (lomo, costillas)</b>	1.9-2.5 cm / ¾ - 1 pulg. 3.1-3.9 cm / 1¼ - 1½ pulg.		10 a 12 minutos 14 a 18 minutos	
<b>Lomo</b>	1.9-2.5 cm / ¾ - 1 pulg.		20 a 30 minutos	30 a 45 minutos
<b>Asado de lomo, sin huesos</b>	1.36-2.26 kg / 3-5 lbs.		1¼ a 1¾ horas	1¾ a 2½ horas
<b>Boston Butt (hombro de puerco)</b>	3.62-4.53 kg / 8-10 lbs.			93 - 98°C / 200 - 210°F Temperatura interior

<b>RES</b>	<b>TAMAÑO</b>	<b>CALOR</b>	<b>Un cuarto 54°C / 130°F</b>	<b>Medio 60°C / 140°F</b>	<b>Bien cocido 65°C / 150°F</b>
<b>Bistec (New York, Porterhouse, Rib-eye, Sirloin, T-bone o lomo)</b>	1.9 cm / ¾ pulg. 2.5 cm / 1 pulg. 3.8 cm / 1½ pulg. 5 cm / 2 pulg.	Alto	Marcar 8 a 10 minutos Marcar 10 a 12 minutos Marcar 10 minutos, asar 8 a 10 minutos Marcar 10 minutos, asar 10 a 14 minutos		
<b>Falda de res</b>	0.6 - 12.7 cm / ¼ - ½ pulg.	Alto	5 a 7 minutos		
<b>Arrachera</b>	0.45 - 0.86 kg / 1 - 1½ lbs., 1.9 cm / ¾ pulg.	Medio	Marcar 4 minutos, asar 8 a 10 minutos		
<b>Kebab</b>	Cubos de 2.5 - 3.8 cm / 1 - 1½ pulg.	Medio	Asar 10 a 12 minutos		
<b>Tenderloin, entero</b>	1.58 - 1.81 kg / 3½ - 4 lbs.	Alto/Medio	1 ½ a 2 horas		
<b>Hamburguesa</b>	1.9 cm / ¾ pulg.	Alto/Medio	Marcar 4 minutos, asar 4 a 6 minutos		
<b>Asado de rib-eye, sin huesos</b>	2.26 - 2.72 kg / 5 - 6 lbs.	Medio	1 ½ a 2 horas		
<b>Asado de tri-tip</b>	0.9 - 1.13 kg / 2 - 2½ lbs.	Alto/Medio	Marcar 10 minutos, asar 20 a 30 minutos		
<b>Asado de costilla</b>	5.44 - 6.35 kg / 12 - 14 lbs.	Medio	2 ½ a 2 ¾ horas		
<b>Chuleta de ternera</b>	2.5cm / 1 pulg.	Medio	10 a 12 minutos		
<b>Brisket</b>	7.25 - 3.62 kg / 16 -18 lbs.	Ahumado caliente	Asar hasta que la temperatura interna llegue a 91°C / 195°F		

<b>CORDERO</b>	<b>TAMAÑO</b>	<b>Un cuarto - 54°C / 130°F</b>	<b>Medio - 60°C / 140°F</b>	<b>Bien cocido - 71°C / 160°F</b>
<b>Asado (fresco)</b>	2.26 - 2.72 kg / 5 - 6 lbs.		1 a 2 horas	
<b>Corona de costillas asada</b>	1.36-2.26 kg / 3-5 lbs.		1 a 1½ horas	1½ horas

<b>MARISCOS</b>	<b>TAMAÑO</b>	<b>Un cuarto - 54°C / 130°F</b>	<b>Medio - 60°C / 140°F</b>	<b>Bien cocido - 82°C / 180°F</b>
<b>Pescado (entero)</b>	0.5 kg / 1 lb. 0.9 - 1.1 kg / 2 - 2½ lbs. 1.4 kg / 3 lbs.			Asar 10 a 20 minutos Asar 20 a 30 minutos Asar 30 a 45 minutos
<b>Pescado (filetes)</b>	0.6-1.3 cm / ¼ - ½ pulg.			Asar 3 a 5 minutos, hasta que se desmenuce con facilidad
<b>Cola de langosta</b>	0.15 kg / 5 oz. 0.3 kg / 10 oz.			Asar 5 a 6 minutos Asar 10 a 12 minutos

<b>CAZA</b>	<b>TAMAÑO</b>	<b>Un cuarto - 60°C / 140°F</b>	<b>Medio - 71°C / 160°F</b>	<b>Bien cocido - 77°C / 170°F</b>
<b>Asado (fresco)</b>	2.26 - 2.72 kg / 5 - 6 lbs.		1 a 1½ horas	1½ a 2 horas
<b>Cortes grandes (fresco)</b>	3.62-4.53 kg / 8-10 lbs.		1 horas	1½ horas



# CONSEJOS Y TÉCNICAS

Siga estos útiles consejos y técnicas, transmitidos por los dueños de Pit Boss, nuestro personal y nuestros clientes, como usted, para familiarizarse con su asador:

## 1. *SEGURIDAD DE LOS ALIMENTOS*

- Mantenga limpio todo lo que haya en la cocina y en el área para cocinar. Use platos y utensilios diferentes para la carne cocida que los que utilizó para preparar o transportar la carne cruda al asador. Esto evitará la contaminación cruzada por bacterias. Cada marinada o salsa para untar debe tener su propio utensilio.
- Mantenga las comidas calientes calientes (a más de 60 °C / 140 °F), y mantenga las comidas frías frías (a menos de 3 °C / 37°F).
- Nunca debe guardar una marinada para usarla en el futuro. Si la va a servir con la carne, asegúrese de hervirla antes de servir.
- Los alimentos cocidos no deben dejarse en un entorno caliente por más de una hora. No deje alimentos calientes fuera del refrigerador por más de dos horas.
- Descongele y marine las carnes en refrigeración. No descongele la carne a temperatura ambiente ni sobre un mostrador. Las bacterias pueden crecer y multiplicarse con rapidez en comidas calientes y húmedas. Lávese las manos cuidadosamente con agua tibia y jabón antes de iniciar la preparación de los alimentos y después de manejar carne fresca, pescado y aves.

## 2. *PREPARACIÓN PARA COCINAR*

- Esté preparado o "**Mise en Place**". Esto se refiere a estar preparado con la receta, el combustible, los accesorios, los utensilios y todos los ingredientes que necesita junto al asador antes de empezar a cocinar. Además, lea toda la receta, de principio a fin, antes de encender el asador.
- Un tapete para asador es muy útil. Debido a los accidentes al manejar la comida y las salpicaduras al cocinar, un tapete protege su terraza, patio o piso de piedra del riesgo de manchas de grasa o derrames accidentales.

## 3. *CONSEJOS Y TÉCNICAS PARA COCINAR*

- Para infundir más sabor ahumado a sus carnes, cocínelas por más tiempo y a temperaturas más bajas (esto también se conoce como "**bajo y lento**"). La carne cerrará sus fibras cuando alcance una temperatura interna de 49 °C / 120 °F. Aplicar líquidos en aerosol o con un pequeño "trapeador" son excelentes maneras de evitar que la carne se seque.
- Al marcar sus carnes, cocine con la tapa cerrada. Siempre use un termómetro de carne para determinar la temperatura interna de los alimentos que está cocinando. Ahumar la comida con pellets de madera dura le da un tono rosado a la carne y las aves. La banda rosada (después de cocinar), conocida como **anillo de humo**, es muy apreciada por los chefs de asador.
- Es mejor aplicar las salsas con base de azúcar cerca del final de la cocción, para evitar que se quemen o provoquen llamaradas.
- Deje un espacio de separación entre la comida y los extremos del barril para que el calor fluya apropiadamente. Los alimentos en una parrilla muy llena necesitarán más tiempo de cocción.
- Use un juego de tenazas de mango largo para voltear las carnes, y una espátula para voltear hamburguesas y pescados. Si usa un utensilio puntiagudo, como un trinche, perforará la carne y permitirá que se escapen los jugos.
- Las comidas en platos hondos necesitarán más tiempo de cocción que en una charola plana.
- Es una buena idea colocar los alimentos preparados en un hornillo para mantenerlos calientes. Las carnes rojas, como los bistecs y asados, saben mejor cuando reposan varios minutos antes de servirlos. Esto permite que los jugos que el calor sacó a la superficie regresen al centro de la carne, dándole más sabor.


# SOLUCIÓN DE PROBLEMAS

La limpieza apropiada, el mantenimiento y el uso de combustible de calidad, limpio y seco, evitarán problemas comunes en la operación. Cuando su asador Pit Boss no funcione bien, o con menos frecuencia, los siguientes consejos para solucionar problemas podrían serle de utilidad.

Para ver las preguntas frecuentes, visite [www.pitboss-grills.com](http://www.pitboss-grills.com). También puede comunicarse con el distribuidor autorizado de Pit Boss en su localidad o llamar a Servicio al cliente para recibir ayuda.

**ADVERTENCIA: Siempre desconecte el cable de alimentación eléctrica antes de abrir el asador para realizar cualquier trabajo de inspección, limpieza, mantenimiento o servicio. Asegúrese de que el asador está completamente frío para evitar lesiones.**

PROBLEMA	CAUSA	SOLUCIÓN
No hay luces de encendido en el centro de control digital	No conectado a la alimentación eléctrica	Asegúrese de que la unidad está conectada a un tomacorriente funcional. Restablecer el disyuntor. Asegúrese de que el GFCI tiene capacidad para 10 amps por lo menos (consulte el <b>diagrama de cableado eléctrico</b> para encontrar el acceso a los componentes eléctricos) y asegúrese de que todas las conexiones de cables están bien colocadas y secas.
	Fusible fundido en el tablero de control	Desconecte el asador de la fuente de alimentación eléctrica y levante la tapa de la tolva, y luego saque el tablero detrás de la tapa. Jale cuidadosamente los cables del controlador hacia usted, para tener acceso cómodo al circuito. Revise el fusible para ver si un cable está roto o negro. En ese caso, será necesario cambiar manualmente el fusible.
	El tomacorriente GFCI se ha disparado.	Desconecte el asador de la fuente de alimentación eléctrica y quite el panel de acceso de la tolva (consulte el <b>diagrama de cableado eléctrico</b> ) y asegúrese de que todas las conexiones de cables están bien colocadas y secas. Asegúrese de que el GFCI tiene capacidad para 10 amps por lo menos.
	Falla en el centro de control	Es necesario reemplazar el centro de control digital. Comuníquese a Servicio al Cliente para solicitar la refacción.
Los pellets en la cámara de combustión no se encienden	Rejilla de combustión	Antes de usar la unidad por primera vez, o cada vez que la tolva se vacíe por completo, el barreno debe prepararse para permitir que el tubo del barreno se llene de pellets. Si no se prepara, el encendedor agotará su tiempo de operación antes de que los pellets lleguen a la cámara de combustión. Siga el <b>procedimiento de preparación de la tolva</b> .
	El motor del barreno está atascado	Apague la unidad manteniendo oprimido el botón Power (encendido) durante 2 segundos. Saque los accesorios para cocinar del asador. Oprima el botón Power (Encendido) para encender la unidad, gire el marcador de control de temperatura a SMOKE (AHUMAR) e inspeccione el sistema de alimentación por barreno. Confirme visualmente que el barreno está depositando los pellets en la cámara de combustión. Si no funciona correctamente, llame a Servicio al Cliente para pedir asistencia o un repuesto.
	Falla del encendedor	Apague la unidad manteniendo oprimido el botón Power (Encendido) durante 2 segundos. Saque los accesorios para cocinar del asador. Oprima el botón Power (Encendido) para encender la unidad, gire el marcador de control de temperatura a SMOKE (AHUMAR) e inspeccione el encendedor. Confirme visualmente que el encendedor está funcionando, colocando su mano sobre la cámara de combustión para percibir que haya calor. Confirme visualmente que el encendedor sobresale alrededor de 8 mm (máx)/0.3 pulg.(máx) en la cámara de combustión. Si no funciona correctamente, siga el <b>Procedimiento de arranque manual</b> para seguir usando el asador; sin embargo, debe llamar a Servicio al Cliente para pedir asistencia o una refacción.

Código de error "ErH"	El asador se ha sobrecalentado, probablemente debido a un fuego de grasa o exceso de combustible.	Gire el control de temperatura a la posición OFF (APAGADO) y deje que el asador se enfríe. Siga las instrucciones de <b>Cuidado y mantenimiento</b> . Después del mantenimiento, saque los pellets y confirme la posición de todos los componentes. Para despejar el error, gire el control de temperatura a OFF (APAGADO), abra la tapa, espere de 3 a 4 minutos, y luego seleccione la temperatura deseada.
Código de error "ErL"	La unidad tiene una temperatura muy baja	Mantenga oprimido el botón Power (Encendido) durante 2 segundos para apagar la unidad. Siga las instrucciones de <b>Cuidado y mantenimiento</b> . Después del mantenimiento, saque de la cámara de combustión y del fondo del asador las cenizas y los pellets que no se hayan quemado y confirme la posición de todos los componentes. Oprima el botón Power (Encendido) para encender la unidad y seleccione la temperatura deseada. Si aún aparece el código de error, comuníquese con Servicio al Cliente.
Código de error "Err" con el ícono de (BARRENO) parpadeando 	El barreno no está preparado	Antes de usar la unidad por primera vez, o cada vez que la tolva se vacíe por completo, el barreno debe prepararse para permitir que la cámara de combustión se llene de pellets. Si no se prepara, el encendedor se agotará antes de que los pellets se enciendan. Siga el procedimiento de <b>preparación de la tolva</b> .
	El motor del barreno está atascado	Saque los accesorios para cocinar del barril principal. Oprima el botón Power (Encendido) para encender la unidad, gire el marcador de control de temperatura a SMOKE (AHUMAR) e inspeccione el sistema de alimentación por barreno. Confirme visualmente que el barreno está depositando los pellets en la cámara de combustión. Si no funciona correctamente, llame a Servicio al Cliente para pedir asistencia o un repuesto.
Código de error "Err" con el ícono de (ENCENDEDOR) Icon parpadeando 	El encendedor no funciona correctamente	Retire los componentes de cocción del barril principal. Presione el botón de encendido para encender la unidad e inspeccionar el encendedor. Confirme visualmente que el encendedor está funcionando colocando su mano sobre la rejilla de la quemadura y sintiendo calor. Confirme visualmente que el encendedor está alineado con el orificio en la rejilla de la quemadura y ábralo para encender los gránulos. Si no funciona correctamente, siga el <b>Procedimiento de arranque manual</b> para continuar con el uso de la parrilla; sin embargo, llame al Servicio al cliente para obtener ayuda o una pieza de repuesto.
	Falla del encendedor	El encendedor necesita ser reemplazado. Póngase en contacto con el Servicio al cliente para obtener una pieza de repuesto.
Código de error "Err" con el ícono de (VENTILADOR) parpadeando 	Entrada de aire insuficiente para el ventilador	Revise el ventilador. Asegúrese de que funciona correctamente y de que la entrada de aire no está bloqueada. Siga las instrucciones de <b>Cuidado y mantenimiento</b> si está sucio.
	El ventilador no funciona correctamente o se ha descompuesto	Se debe reemplazar el ventilador. Comuníquese a Servicio al Cliente para solicitar la refacción.
Código de error "Err" con mostrar Icono "Sin pellets"	Falta de combustible, mala calidad del combustible, obstrucción en el sistema de alimentación, barrena atascada	Mantenga presionado el botón de Encendido durante 2 segundos para apagarlo y luego vuelva a conectarlo. Revise la tolva para verificar que el nivel de combustible sea suficiente y reponga si está bajo. Si la calidad de los gránulos de madera es deficiente o la longitud de los gránulos es demasiado larga, esto puede causar una obstrucción en el sistema de alimentación. Retire los gránulos y siga las instrucciones de <b>Cuidado y mantenimiento</b> .

Código de error "ErP"	La unidad no se apagó correctamente la última vez que se conectó a la alimentación.	La función de seguridad impide el reinicio automático. Pulse el botón de Encendido para apagar la unidad, espere dos minutos y pulse el botón de Encendido para volver a encender la unidad. Gire el Dial de control de temperatura al ajuste AHUMAR o a la temperatura deseada. Si aún aparece el error, póngase en contacto con Atención al cliente.
	Corte de luz mientras la unidad está en funcionamiento.	
Código de error "noP"	Mala conexión en el puerto de conexión	Desconecte el sensor para carne del puerto de conexión del panel de control y vuelva a conectarlo. Asegúrese de que el adaptador del sensor para carne está bien conectado. Revise si hay signos de daño en el extremo del adaptador. Si aún falla, llame a Servicio al cliente para solicitar el repuesto
	Sensor para carne dañado	Revise que los cables del sensor para carne no muestren señales de daños. Si existen daños, llame a Servicio al Cliente para solicitar el repuesto.
	Falla en el centro de control	Es necesario reemplazar el centro de control digital. Comuníquese a Servicio al Cliente para solicitar la refacción.
El asador no alcanza o no mantiene una temperatura estable	Flujo insuficiente de aire en la cámara de combustión	Revise la cámara de combustión para eliminar residuos de ceniza u obstrucciones. Siga las instrucciones de <b>Cuidado y mantenimiento</b> en caso de cenizas acumuladas. Revise el ventilador. Asegúrese de que funciona correctamente y de que la entrada de aire no está bloqueada. Siga las instrucciones de <b>Cuidado y mantenimiento</b> si está sucio. Revise el motor del barreno para confirmar que está funcionando y asegúrese de que no hay obstrucciones en el tubo del barreno. Una vez que haya seguido todos los pasos anteriores, encienda el asador, configure la temperatura en SMOKE (AHUMAR) y espere 10 minutos. Verifique que las llamas producidas sean brillantes y vivas.
	Combustible de mala calidad, obstrucción en el sistema de alimentación	Revise que la tolva tenga suficiente combustible y que no haya una obstrucción en el sistema de alimentación. Saque los pellets y siga las instrucciones de <b>Cuidado y mantenimiento</b> .
	Sensor de temperatura del asador	Revise el sensor del asador. Siga las instrucciones de <b>Cuidado y mantenimiento</b> si está sucio.
El asador produce humo excesivo o sin color	Acumulación de grasa	Siga las instrucciones de <b>Cuidado y mantenimiento</b> .
	Calidad de los pellets de madera	Elimine los pellets de madera húmedos de la tolva. Siga las instrucciones de <b>Cuidado y mantenimiento</b> para la limpieza. Reemplace con pellets de madera secos.
	La rejilla de combustión está obstruida	Saque los pellets de madera húmeda de la rejilla de combustión. Siga el <b>procedimiento de preparación de la tolva</b> .
	Entrada de aire insuficiente para el ventilador	Revise el ventilador. Asegúrese de que funciona correctamente y de que la entrada de aire no está bloqueada. Siga las instrucciones de <b>Cuidado y mantenimiento</b> si está sucio.
Llamaradas frecuentes	Temperatura de cocción	Intente cocinar a una temperatura más baja. La grasa tiene un punto de inflamación. Mantenga la temperatura debajo de 176 °C / 350 °F cuando cocine comida muy grasosa.
	Acumulación de grasa	Siga las instrucciones de <b>Cuidado y mantenimiento</b> .

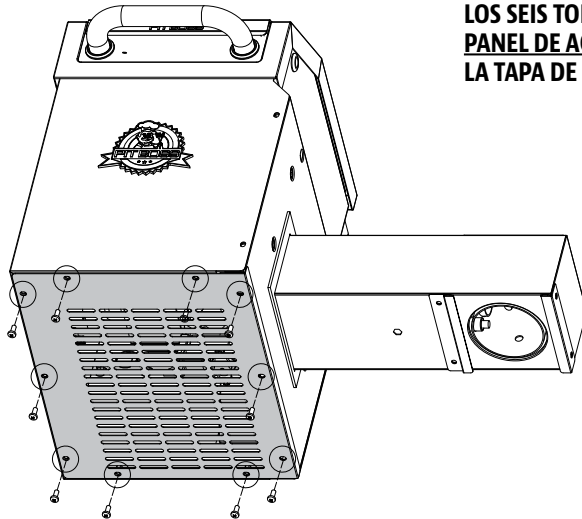
# DIAGRAMA DE CABLEADO ELÉCTRICO

El sistema del tablero de control digital es un dispositivo tecnológico intrincado y valioso. Para protegerlo de los picos de voltaje y los cortocircuitos eléctricos, consulte el siguiente diagrama de cableado para asegurarse de que su fuente de alimentación es suficiente para la operación de la unidad.

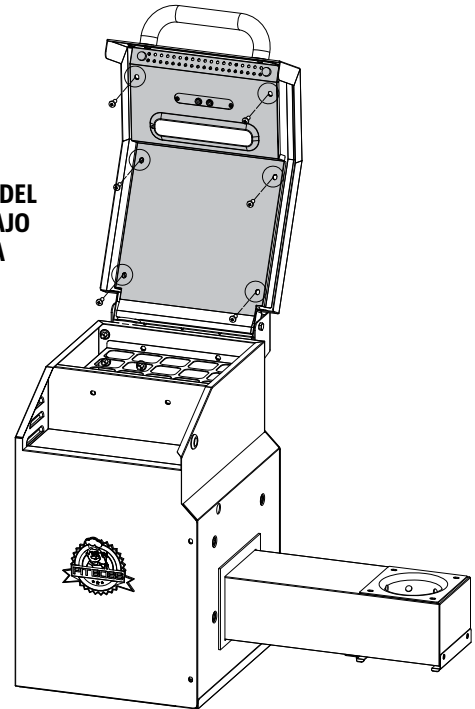
## PB – REQUISITOS DE ALIMENTACIÓN ELÉCTRICA 110-120V, 60HZ, 300W, CONECTOR DE 3 CLAVIJAS CON TIERRA

NOTA: Los componentes eléctricos, que pasaron por pruebas y servicios de certificación de seguridad de productos, cumplen con una tolerancia de prueba de  $\pm 5-10$  por ciento.

ENCUENTRE Y quite los diez tornillos del panel de acceso de la parte inferior de la unidad.

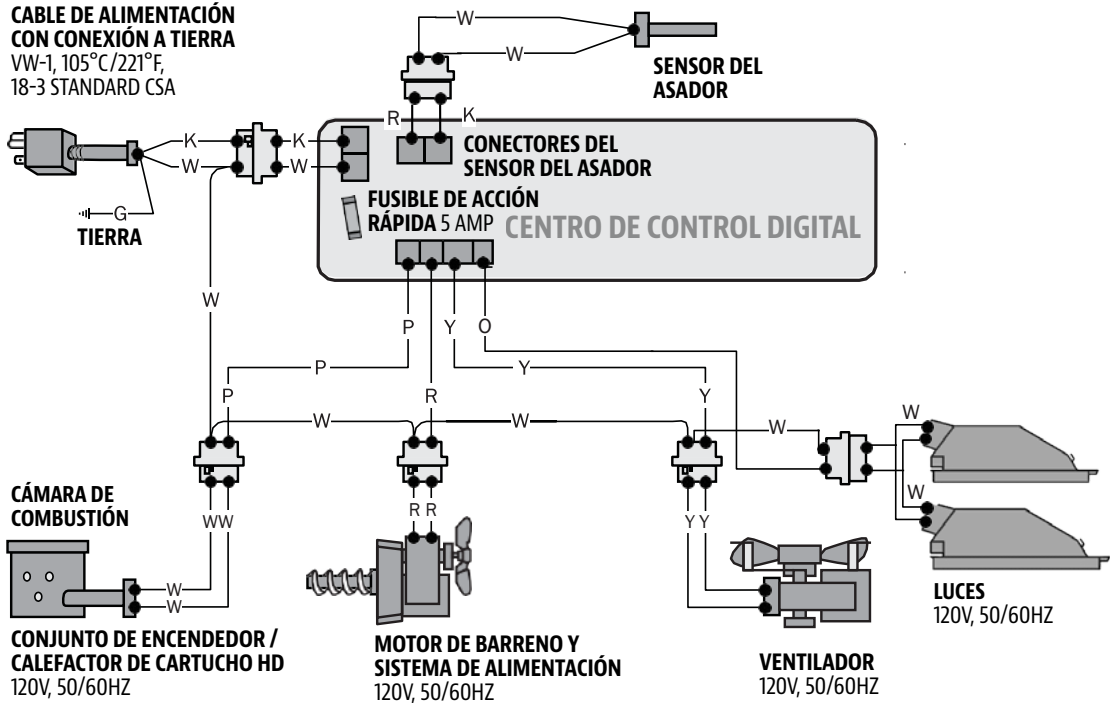


ENCUENTRE Y quite los seis tornillos del panel de acceso bajo la tapa de la tolva.



**CAPACIDAD DE ENTRADA DE COMBUSTIBLE:**  
2.13 KG/H  
(4.69 LB/H)

**CABLE DE ALIMENTACIÓN CON CONEXIÓN A TIERRA**  
VW-1, 105°C/221°F,  
18-3 STANDARD CSA



### ÍNDICE

W : BLANCO  
Y : AMARILLO  
P : PÚRPURA  
R : ROJO  
K : NEGRO  
G : VERDE  
O : NARANJA

## REFACCIONES PARA EL ASADOR

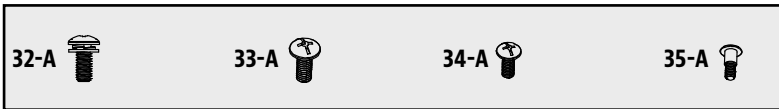
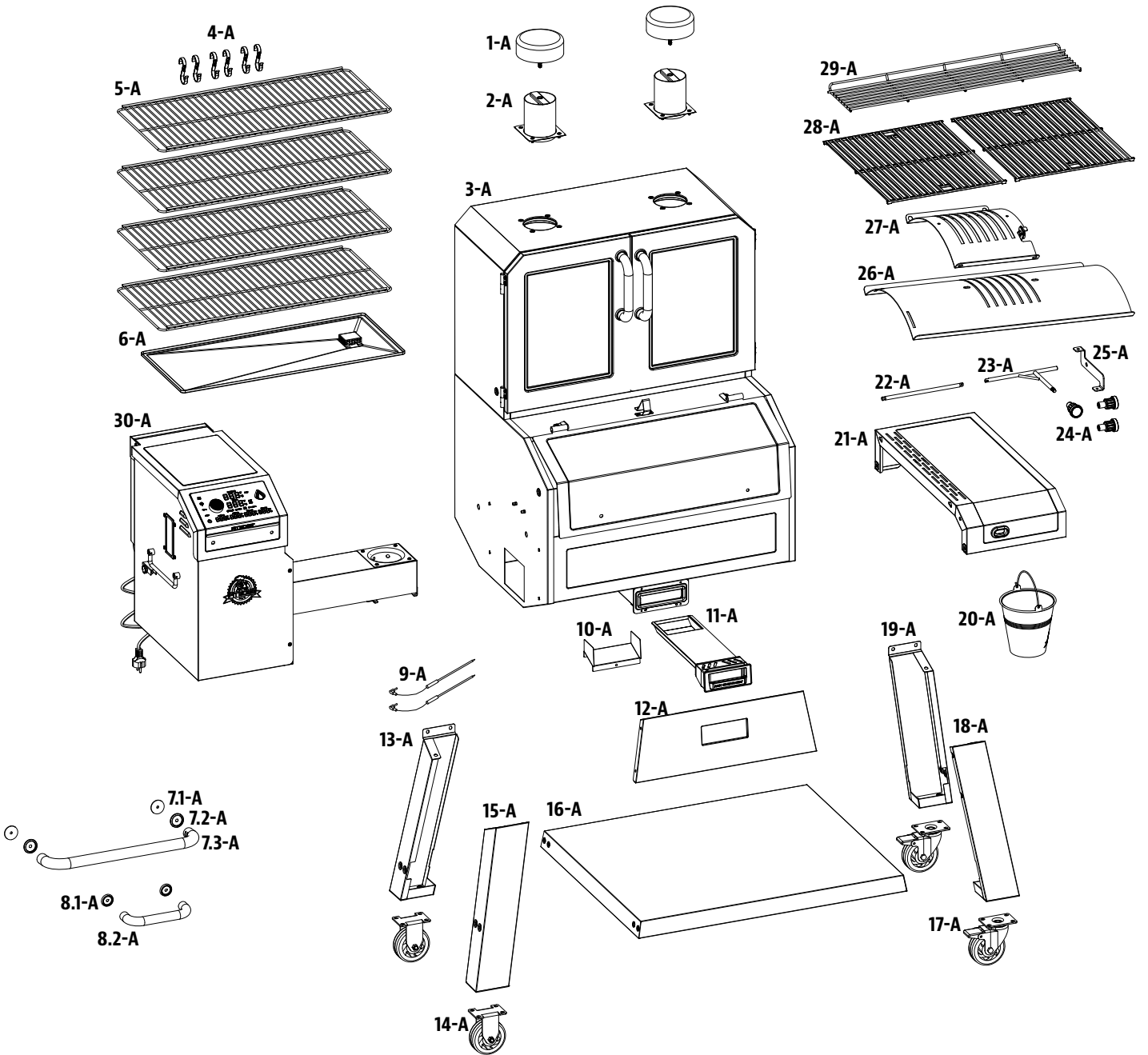
N°	Descripción
1-A	Cubierta de chimenea (x2)
2-A	Chimenea (x2)
3-A	Barril principal (x1)
4-A	Gancho de carne en S (x6)
5-A	Parrilla de cocción del ahumador (x4)
6-A	Bandeja de grasa (x1)
7.1-A	Espaciador de mango de tapa (x2)
7.2-A	Asiento con tapa (x2)
7.3-A	Tubo de la manija de la tapa (x1)
8.1-A	Asiento de la manija de la tapa de la tolva (x2)
8.2-A	Tubo de la manija de la tapa de la tolva (x1)
9-A	Sensor para carne (x2)
10-A	Soporte del cenicero (x1)
11-A	Cenicero (x1)
12-A	Tablero delantero del carrito (x1)
13-A	Pata trasera izquierda (x1)
14-A	Rueda (x2)
15-A	Pata delantera izquierda (x1)
16-A	Repisa inferior (x1)
17-A	Ruedas con seguro (x2)

N°	Descripción
18-A	Pata delantera derecha (x1)
19-A	Pata trasera derecha (x1)
20-A	Cubeta de grasa (x1)
21-A	Mesa lateral (x1)
22-A	Conector de la manija de la cubierta deslizante de la rejilla de flama (x1)
23-A	Manija de la cubierta deslizante de la rejilla de flama (x1)
24-A	Perilla (x3)
25-A	Soporte de la manija de la cubierta deslizante de la rejilla de flama (x1)
26-A	Placa principal de rejilla de flama (x1)
27-A	Cubierta deslizante de la rejilla de flama (x1)
28-A	Parrillas de cocción recubiertas de porcelana (x2)
29-A	Estante calefactor de acero con revestimiento de porcelana (x1)
30-A	Ensamblaje de tolva (x1)
31-A	Tornillos (x38)
32-A	Tornillos (x5)
33-A	Tornillos (x17)
34-A	Tornillos (x1)

Diagrama ilustrativo en la siguiente página.

*NOTA: Debido a que los productos están en desarrollo constante, las partes están sujetas a cambios sin previo aviso.*

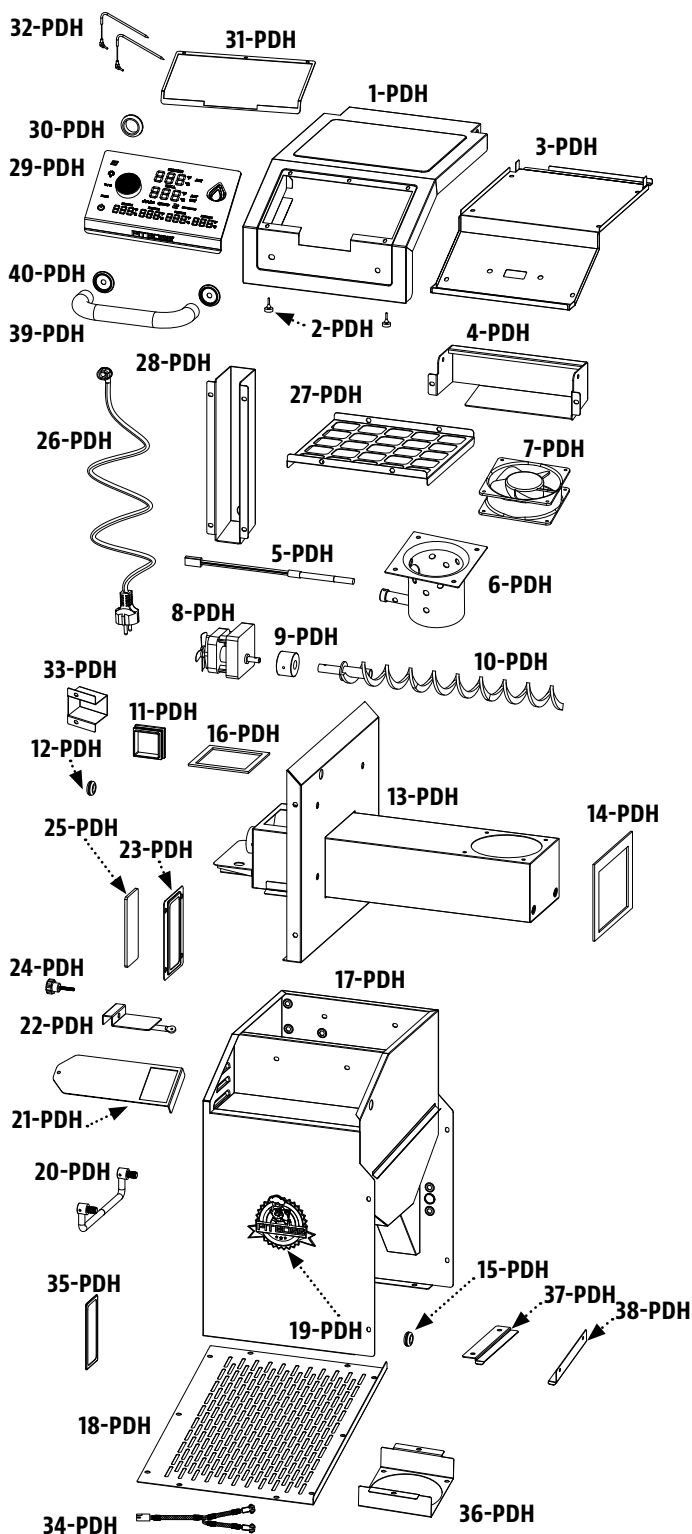
# REFACCIONES PARA EL ASADOR



# REFACCIONES PARA LA TOLVA

N°	Descripción
1-PDH	Tapa de la tolva (x1)
2-PDH	Almohadilla de caucho de la tapa (x2)
3-PDH	Revestimiento de la tapa de la tolva (x1)
4-PDH	Tablero de soporte (x1)
5-PDH	Resistencia (x1)
6-PDH	Cámara de combustión (x1)
7-PDH	Motor de ventilador (x1)
8-PDH	Motor de alimentación (x1)
9-PDH	Varilla de nylon (x1)
10-PDH	Varilla de alimentación (x1)
11-PDH	Cubierta de nylon (x1)
12-PDH	Anillo de caucho-1 (x1)
13-PDH	Sistema de alimentación (x1)
14-PDH	Cubierta resistente al calor (x1)
15-PDH	Anillo de caucho-3 (x2)
16-PDH	Sello (x1)
17-PDH	Tolva (x1)
18-PDH	Panel inferior de la tolva (x1)
19-PDH	Placa con logotipo (x1)
20-PDH	Manija de la tolva (x1)
21-PDH	Tablero de bloque-2
22-PDH	Tablero de bloque (x1)
23-PDH	Tablero de vidrio (x1)
24-PDH	Manija (x1)
25-PDH	Vidrio (x1)
26-PDH	Cable eléctrico (x1)
27-PDH	Panel superior (x1)
28-PDH	Blindaje de alambre eléctrico (x1)
29-PDH	Tablero de control (x1)
30-PDH	Anillo de caucho-2 (x1)
31-PDH	Sello del panel de control (x1)
32-PDH	Sonda de carne (x2)
33-PDH	Cubierta de alambre más ligero (x1)
34-PDH	Cable para encendedor "Y" (x1)
35-PDH	Sello de vidrio (x1)
36-PDH	Escudo del motor del ventilador (x1)
37-PDH	Almohadilla impermeable del tablero de control (x1)

N°	Descripción
38-PDH	Cableado interno (x1)
39-PDH	Asa de la tapa de la tolva (x1)
40-PDH	Asiento de la manija de la tapa de la tolva (x2)





# GARANTÍA

## CONDICIONES

Todos los asadores de pellets de madera de Pit Boss, fabricados por Dansons, tiene una garantía limitada a partir de la fecha de venta solo para el comprador original. La cobertura de la garantía comienza en la fecha original de compra y es necesario un comprobante de la fecha de la compra o una copia de la factura original de compra para validar la garantía. Los clientes deberán cubrir el costo de las refacciones, manejo y envío si no pueden proporcionar el comprobante de compra o si la garantía ha expirado.

Dansons ofrece una garantía por cinco (5) años contra defectos y mano de obra en todas las partes, y por cinco (5) años en los componentes eléctricos. Dansons garantiza que todas las partes están libres de defectos materiales y de mano de obra, para el período de uso y propiedad del comprador original. La garantía no cubre daños por desgaste normal, tales como rasguños, abolladuras, muescas o fisuras menores superficiales. Estos cambios estéticos en la parrilla no afectan su rendimiento. La reparación o reemplazo de cualquier pieza no extiende el período de garantía limitada más allá de cinco (5) años de la fecha de compra.

Durante el período de la garantía, la obligación de Dansons se limitará solo a suministrar un reemplazo para componentes defectuosos y/o que presenten fallas. Durante el período de garantía, Dansons no cobrará por reparaciones o reemplazos de partes devueltas, con envío prepagado, si considera que las partes son defectuosas luego de haberlas examinado. Dansons no será responsable de costos de transporte, mano de obra o derechos de exportación. Salvo por lo establecido en estas condiciones de la garantía, la reparación o reemplazo de partes, de la manera y durante el período de tiempo aquí mencionados, constituye el cumplimiento de todas las responsabilidades y obligaciones, directas y derivadas, de Dansons hacia usted.

Dansons hace todo lo posible por utilizar materiales que retarden la oxidación. Incluso con estas precauciones, diferentes sustancias y condiciones fuera del control de Dansons pueden afectar los recubrimientos protectores. Las Temperaturas altas, la humedad excesiva, el cloro, los humos industriales, los fertilizantes, los pesticidas de jardín y la sal son algunas de las sustancias que pueden afectar los recubrimientos del metal. Por estas razones, la garantía no cubre corrosión ni oxidación, a menos que exista una pérdida de integridad estructural en el componente del asador. Si ocurre alguna de las condiciones anteriores, consulte la sección de cuidado y mantenimiento para prolongar la vida útil de su unidad. Dansons recomienda el uso de una cubierta para el asador cuando este no esté en uso.

La garantía se basa en el uso y servicio doméstico normal del asador, y ninguna garantía limitada se aplica a un asador que se utilice en aplicaciones comerciales.

## EXCEPCIONES

No existe una garantía escrita o implícita de desempeño en los asadores Pit Boss, ya que el fabricante no tiene control sobre la instalación, la operación, la limpieza, el mantenimiento o el tipo de combustible utilizado. Esta garantía no aplicará, y Dansons no asumirá ninguna responsabilidad, si su aparato no se instaló, operó, limpió o mantuvo en estricto cumplimiento con este manual del propietario. Cualquier uso de gas que no se explique en este manual puede anular la garantía. La garantía no cubre daños ni fallas debidas al mal uso, manejo inapropiado o modificaciones.

Ni Dansons ni el distribuidor autorizado de Pit Boss asumen responsabilidad alguna, jurídica o de otro tipo, por los daños accidentales o consecuentes a los bienes o las personas debido al uso de este producto. Si se realiza una demanda contra Dansons con base en una infracción de esta garantía o de cualquier otro tipo de garantía explícita o implícita por la ley, el fabricante de ninguna manera será responsable de cualquier daño especial, indirecto o consecuente, ni por otros daños de cualquier naturaleza, por encima del precio original de compra de este producto. Todas las garantías del fabricante se especifican en este documento y no se puede realizar ninguna demanda contra el fabricante por cualquier garantía o promesa.

Algunos estados no permiten la exclusión o limitación de daños incidentales o consecuentes, o limitaciones de garantías implícitas, así que las limitaciones o exclusiones especificadas en esta garantía limitada podrían no aplicar para usted. Esta garantía limitada le da derechos jurídicos específicos y usted podría tener otros derechos, los cuales varían de estado a estado.

## CÓMO ORDENAR REFACCIONES

Para ordenar refacciones, comuníquese con el distribuidor de Pit Boss de su localidad, o visite nuestra tienda en línea en: [www.pitboss-grills.com](http://www.pitboss-grills.com)

## CONTACTO CON SERVICIO AL CLIENTE

Si tiene preguntas o problemas, comuníquese con servicio al cliente, lunes a viernes de 4 am - 8 pm hora del pacífico (ANG/FR/ES).  
**service@pitboss-grills.com | Línea sin costo: 1-877-303-3134 | Fax sin costo: 1-877-303-3135**

## SERVICIO BAJO GARANTÍA

Comuníquese con su distribuidor Pit Boss más cercano para reparaciones o refacciones. Dansons requiere un comprobante de compra para otorgar una reclamación de garantía; por lo tanto, conserve su recibo o factura de venta original para referencia futura. Puede ver el número de serie y modelo de su Pit Boss en el interior de la tapa de la tolva. Escriba los números a continuación, ya que la etiqueta podría desgastarse o quedar ilegible.

---

MODELO

---

NÚMERO DE SERIE

---


FECHA DE COMPRA

---

DISTRIBUIDOR AUTORIZADO

## ACCESORIOS VENDIDOS POR SEPARADO

Disponibles para comprar por separado. Accesorios no disponibles y suministrados por todos los distribuidores autorizados de Pit Boss.

ARTÍCULO	DESCRIPCIÓN
	<b>CUBIERTA DE ASADOR</b> Cubierta completa, adaptada a la forma. Poliéster de uso pesado con respaldo de PVC para uso a largo plazo. Impermeable. Incluye un cordón sujetador para ajustarlo con facilidad.
	<b>SONDA DE CARNE</b> Termómetro de carne de acero inoxidable con adaptador. Cuando está conectado, la temperatura de los alimentos se muestra en la placa de control.

ARTÍCULO	DESCRIPCIÓN
	<b>DELANTAL PARA ASAR</b> Delantal ajustable con dos bolsillos al frente para sus herramientas para cocinar. Talla única. Lavable a máquina.

## RECETAS

### PECHO CLÁSICO

#### Rinde 4 - 6 porciones

Un pecho completo de res pesa de 7.25 a 3.62 kg / 16 a 18 libras y tiene tres partes distintas: el tope, la punta y la falda. Use la sección de la falda, ya que es magra, compacta y produce buenas rebanadas al cortarla.

#### Ingredientes:

1	Pecho de res 2.2-3.6 kg / 5-8 lbs, La capa de grasa debe tener al menos 0.6 cm / ¼ pulg. de grosor
1 envase	mostaza amarilla preparada
75 ml / 5 C.	sazonador
1 botella	salsa de chili
1 paquete	mezcla seca de sopa de cebolla
375 ml / 1 ½ tz.	caldo de res
40 ml / 8 c.	pimienta negra

#### Sabor de pellets de madera sugerido: Nogal / Competencia

#### Instrucciones:

1. Extienda un trozo grande de plástico para envolver en su lugar de trabajo. De tamaño suficiente para envolver el brisket. Usando un cuchillo afilado, haga un corte en la parte inferior del brisket en contra del grano. Esto ayudará a rebanar el brisket terminado contra el grano, dándole un corte tierno que se deshace en la boca. La parte inferior es la que no tiene capa de grasa. Cubra con una cantidad generosa de mostaza preparada. Frótela ligeramente sobre toda el área. Esparza una cantidad generosa de sazónador sobre la mostaza,

y vuelva a frotarla con suavidad en la carne. Voltee el brisket y repita el proceso. Envuelva el brisket preparado en el plástico y refrigere de 2 a 4 horas o toda la noche.

2. Prepare la mezcla para untar. Mezcle la salsa de chili, la mezcla seca de sopa de cebolla, el caldo de res y la pimienta negra. Déjelos reposar.
3. **Pre caliente el asador y lleve el gabinete para ahumar a 82-107°C / 180-225°F.**
4. Coloque el brisket, con el lado de la grasa hacia arriba, en el centro del asador. Cierre la tapa del asador. Cocine **bajo y lento** hasta que esté tierno, de 10 a 12 horas.
5. Unte el brisket con la mezcla para untar al menos cada media hora durante las primeras 3 horas.
6. Continúe el proceso de ahumado lento hasta que la temperatura interna alcance 60-66 °C / 140-150 °F. Saque el brisket del ahumador. **Suba la temperatura del asador a 176 °C / 350 °.**
7. Coloque el brisket en un envoltorio hecho de dos capas de papel aluminio. Vierta 50 ml / ¼ de taza de mezcla para untar sobre el brisket, dentro del envoltorio. Cierre el envoltorio.
8. Coloque el envoltorio cuidadosamente en el asador. Ahúme de 1 a 1 ½ horas.
9. Abra el envoltorio y use un termómetro de carne, la temperatura interna debe llegar a 91 °C / 195 °F. El brisket debe estar firme, pero debe poder desmenuzarse la carne con sus dedos.
10. Transfiera la carne a una tabla de cortar y déjela reposar por 10 minutos. Corte rebanadas delgadas contra el grano para servirlo.

## **COSTILLAS BBQ**

Rinde 4 - 6 porciones

### **Ingredientes:**

1.3-1.8 kg / 3-4 lbs	Costillas <i>Costillas de cerdo cargadas o costillas de lomo</i>
45 ml / 3 C.	Aceite
5 ml / 1 c.	Sal
5 ml / 1 c.	Pimienta
2 enteras	Cebollas (picadas)
30 ml / 2 C.	Vinagre
30 ml / 2 C.	Salsa Worcestershire
125 ml / ½ tz.	Jugo o refresco de manzana
5 ml / 1 c.	Paprika
5 ml / 1 c.	Chile en polvo

**Sabor de pellets de madera sugerido: Nogal / Competencia / Manzano**

### **Instrucciones:**

1. **Precaliente el asador, y luego reduzca a temperatura baja a 82-107 °C / 180-225 °F.**
2. Prepare las costillas quitando la capa de piel dura en la parte trasera. Sazone las costillas con sal y pimienta al gusto.
3. Coloque las costillas en el asador, con una separación regular. Ahúme de 3 a 4 horas.
4. Mezcle los demás ingredientes en una charola y póngalos a hervir. Deje hervir la salsa cinco minutos hasta que se espese.
5. Sáquela del asador. **Suba la temperatura del asador a 176 °C / 350 °F.**
6. Coloque cada costillar en un envoltorio hecho de dos capas de papel aluminio. Vierta 50 ml / ¼ de taza de salsa sobre las costillas, dentro del envoltorio. Cierre el envoltorio.
7. Coloque el envoltorio cuidadosamente en el asador. Ahúme de 1 a 1 ½ horas.
8. Abra el envoltorio. La carne habrá expuesto los extremos de las costillas y estará muy tierna. Ponga la temperatura del asador en alto a 260 °C / 500 °F. Vuelva a colocar las costillas en la parrilla y úntelas con la salsa por ambos lados.
9. Cuando la salsa esté caramelizada y las costillas estén pegajosas, sáquelas del asador y sívalas.

### **Variación: MÉTODO "MEMPHIS DRY"**

Ponga **la temperatura del asador en alto a 260 °C / 500 °F.** Vuelva a colocar las costillas en la parrilla y sazónelas con un sazoador o aliño seco. Marque las costillas, sáquelas del asador y sívalas.

## **BISTEC DE SIRLOIN CON CEBOLLAS DULCES Y PIMIENTOS**

Rinde 4 porciones

### **Ingredientes:**

2	Steak, Top Sirloin <i>1 pulg. de grosor, cortados en 4 piezas. 0.45kg/1 lb</i>
10 ml / 2 c.	sazonador o aliño
5 medianas	cebollas dulces (picadas grueso)
2 enteras	pimientos morrones (de cualquier tipo, picados)
60 ml / 4 C.	salsa de soya
60 ml / 4 C.	aceite de oliva
Pizca	sal

**Sabor de pellets de madera sugerido: Nogal / Mezquite / Whisky**

### **Instrucciones:**

1. **Precaliente el asador, y luego reduzca la temperatura ligeramente a 218°C / 425°F.**
2. Sazone ambos lados de los bistecs con el sazoador o aliño. Cubra y refrigere al menos 1 hora.
3. Coloque las cebollas y los pimientos en una bandeja cubierta de papel aluminio. Mezcle la salsa de soya y el aceite de oliva, y rocíe la mezcla sobre la bandeja. Espolvoree con sal. Selle por completo el paquete de papel aluminio.
4. Coloque el paquete en el asador durante 10 a 15 minutos o hasta que las verduras estén suaves y tiernas. Saque el paquete del asador y manténgalo cerrado.
5. Coloque los bistecs en la parrilla. Marque los dos lados, volteándolos cada pocos minutos.
6. Áselos hasta el término deseado, y luego sáquelos del asador. Coloque en platos para servir y cúbralos con las verduras calientes

## **POLLO DE LATA DE CERVEZA**

Rinde 2 - 6 porciones

### **Ingredientes:**

1 entero	Pollo <i>1.8-2.7 kg / 4-6 lbs</i>
1 lata	Cerveza, de cualquier tipo
45 ml / 3 C.	Sazonador

**Sabor de pellets de madera sugerido: Nogal / Manzano / Competencia**

### **Instrucciones:**

1. **Precaliente el asador, y luego reduzca la temperatura a 135-177 °C / 275-350 °.**
2. Abra la lata y vierta la mitad de la cerveza en un vaso para beberla. Deje la mitad en la lata, y haga algunos agujeros adicionales en la parte superior de la lata para aumentar la ventilación. Añada ¼ del sazoador a la lata.
3. Enjuague el pollo abundantemente y seque la parte exterior dando

golpecitos con toallas de papel. Añada 1/4 del aliño dentro de la cavidad del pollo. Unte el sazónador restante en la superficie exterior del pollo.

4. Inserte la lata vertical dentro de la cavidad del pollo, colóquelo en la parrilla y cierre la tapa del asador. Áselo hasta que el pollo esté dorado y crujiente; la temperatura interna debe llegar a 74 °C / 165 °F.
5. Usando pinzas, saque cuidadosamente el pollo y la lata del asador. Deje reposar cinco minutos, y luego retire cuidadosamente la lata de la cavidad del pollo. Tenga cuidado de no derramar el líquido, ya que estará caliente.
6. Corte el pollo y síralo.

#### **Variación: POLLO DE LATA DE CERVEZA NO ALCOHÓLICA**

Use las mismas instrucciones anteriores, pero sustituya la lata de cerveza con una lata de su refresco no dietético favorito, jugo de fruta o agua con sazónador adicional.

## **CARNE SECA DE RES CON PIMIENTA Y ESPECIAS**

*Esta deliciosa carne seca de res con pimienta y especias, repleta de proteínas, es la botana perfecta para hacer ejercicio o estar con los amigos. Muy sabrosa y ahumada, esta receta es especial para arrachera sin grasa. ¡La carne seca perfecta para aprender a preparar con su ahumador Pit Boss! ¡Sólo colóquela, olvídense de ella, y prepárese para bocados épicos y muy suaves! Sus botanas después del ejercicio nunca volverán a ser iguales*

**Rinde 4 - 6 porciones**

#### **Ingredientes:**

- 12 oz botella Cerveza Negra u Otra Cerveza Oscura
- 50 g / ¼ tz. Azúcar Morena
- 30 ml / 2 C. Pimienta Negra Gruesa
- 60 ml / 4 C. Sal de Ajo
- 30 ml / 2 C. Salsa Picante
- 15 ml / 1 C. Sal Para Curado Rápido
- 250 ml / 1 c. Salsa de Soya
- 30 ml / 2 C. Condimento Pit Boss® Sweet Heat Rub, dividido
- 910 g / 2 lbs Arrachera Sin Grasa
- 50 g / ¼ tz. Salsa Worcestershire

**Sabor de pellets de madera sugerido: Mezcla de mezquite**

#### **Instrucciones:**

1. En un tazón grande mezcle la cerveza oscura, la salsa de soya, la salsa Worcestershire, el azúcar morena, la salsa picante, la sal de ajo, la pimienta negra, 2 cucharadas del sazónador Sweet Heat, y la sal para curado rápido. Bata bien para combinar todo, o hasta que se disuelva la azúcar morena. Vierta la marinada en una bolsa de plástico grande con sello o en un tazón grande y póngala a un lado.
2. Usando un cuchillo afilado, quita toda la grasa y el tejido conectivo de la arrachera. Rebane la carne en rebajadas de ¼ de pulgada de grosor, cortando en contra del grano (es más fácil si la carne está parcialmente congelada).

3. Coloque las rebanadas de carne de res en la bolsa de plástico, séllela y masajee la marinada en la carne. Deje que la carne se marine en el refrigerador por 24 horas.
4. Cuando esté listo para ahumar su carne seca, saque la carne de la marinada y deseche la marinada.
5. **Encienda su ahumador Pit Boss y ponga la temperatura a 200 °F. Si está usando un ahumador de aserrín o carbón, póngalo a calor medio bajo.**
6. Acomode la carne en una sola capa, directamente sobre la rejilla del ahumador. Ahúme la carne de 4 a 5 horas, o hasta que la carne esté seca pero correosa, y aún se doble ligeramente.
7. Saque la carne seca del asador con pinzas y transfírela a una bolsa de plástico sellable mientras sigue caliente. Deje reposar la carne seca 1 hora a temperatura ambiente.
8. Saque todo el aire de la bolsa de plástico sellable y refrigere la carne seca. Se conservará varias semanas. ¡Disfrute!

## **CARNE DE PAVO SECA AHUMADA A LA BBQ**

*Este delicioso pavo seco ahumado a la BBQ es un excelente bocadillo que sirve para recuperar fuerzas después del ejercicio. Repleta de proteínas y bajo en grasas, esta receta de pavo seco utiliza la pechuga del pavo, ¡por lo que será uno de los bocadillos sanos favoritos para usted y sus amigos! Asegúrese de hacer extra; séllelo en una bolsa hermética y puede durar semanas en su congelador.*

**Rinde 4 - 6 porciones**

#### **Ingredientes:**

- 30 ml / 2 C. Vinagre de Sidra de Manzana
- 30 ml / 2 C. Salsa Bbq (cualquier tipo)
- 15 ml / 1 C. Sal Para Curado Rápido
- 125 ml / ½ tz. Salsa de Soya
- 60 ml / 4 C. Condimento Pit Boss® Sweet Heat Rub
- 910 g / 2 lbs Pechuga de Pollo Sin Piel Ni Huesos
- 50 g / ¼ tz. Agua

**Sabor de pellets de madera sugerido: Mezcla de manzana**

#### **Instrucciones:**

1. En un tazón grande, mezcle la salsa de soya, agua, salsa BBQ, vinagre de sidra de manzana, sal de curado rápido y 2 cucharadas del aliño Sweet Rib Sub. Bátalos hasta que se combinen bien y vierta en una bolsa de plástico grande con sello.
2. Usando un cuchillo afilado, rebane el pavo en rebajadas de ¼ de pulgada, cortando a favor del grano (es más fácil si la carne está parcialmente congelada). Corte la grasa, la piel y el tejido conectivo y deséchelos.
3. Coloque las rebanadas de pavo en la bolsa de plástico, séllela y masajee la marinada en el pavo. Refrigere 24 horas.
4. Una vez que la carne seca esté lista, saque el pavo del refrigerador, drene la marinada y deséchela. Seque el pavo con golpes de toallas de papel y espolvoree generosamente el aliño Sweet Rib Rub restante en todos los lados.

5. **Encienda su ahumador Pit Boss y ponga la temperatura a 180 °F. Si está usando un ahumador de aserrín o carbón, póngalo a calor medio bajo**
6. Coloque las rebanadas de pavo directamente sobre las rejillas del ahumador y ahúmelas de 2 a 4 horas, o hasta que la carne esté correosa pero aún se doble ligeramente.
7. Coloque la carne seca en una bolsa de plástico con sello mientras sigue caliente y déjelo reposar a temperatura ambiente 1 hora. Saque todo el aire de la bolsa y colóquela en el refrigerador. Se conservará varias semanas.

## **PUNTAS QUEMADAS DE POBRES**

### **Rinde 4 - 6 porciones**

#### **Ingredientes:**

- 125 ml / ½ tz. Salsa Bbq (cualquier tipo)  
 50 g / ¼ tz. Azúcar Morena  
 1.36 kg / 3 lbs Aguja de Res  
 60 ml / 4 C. Condimento Pit Boss® Sweet Heat Rub

**Sabor de pellets de madera sugerido: Mezcla de competencia**

#### **Instrucciones:**

1. **Encienda su ahumador Pit Boss y ponga la temperatura a 275 °F.**
2. Sazone bien su aguja por todos lados con aliño Sweet Rib Rub. Inserte un sensor de temperatura en la parte más gruesa de la aguja y coloque la aguja en el ahumador.
3. Ahúme la carne hasta que la temperatura interna llegue a 165 °F. Envuelva la aguja en papel aluminio y vuelva a meterla al ahumador hasta que la temperatura interna llegue a 195 °F, en aproximadamente 1 hora
4. Saque la aguja envuelta del ahumador y déjela reposar de 15 a 20 minutos. Corte en cubos de 3/4 de pulgada y transfíralos a una sartén de aluminio desechable. Espolvoree 1/4 de taza de azúcar morena y salpique la mayor parte de la salsa BBQ, reservando un par de cucharadas para más tarde. Mezcle para cubrir toda la carne con la salsa.
5. Coloque la sartén en el asador, cierre la tapa y ase de 1 1/2 a 2 horas adicionales, o hasta que la salsa se espese y la carne esté tierna. Saque del ahumador y sirva.

## **JALAPEÑOS RELLENOS DE QUESO ENVUELTOS EN TOCINO**

*Esta es un aperitivo para ver el partido que tiene sabor en serio. Estos jalapeños rellenos de queso y envueltos en tocino dan un golpe de sabor cremoso, crujiente y picante con cada mordida.*

*Los jalapeños rellenos de queso y envueltos en tocino siempre están entre los favoritos, y estos tienen la ventaja de ser preparados en un asador de pellets Pit Boss, que por supuesto les da el sabor adicional del fuego de leña.*

### **Rinde 4 - 6 porciones**

#### **Ingredientes:**

- |                |                                    |
|----------------|------------------------------------|
| 12 tiras       | Tocino Cortadas a la mitad         |
| 225 g / 8 oz   | Queso Crema a temperatura ambiente |
| 1              | Diente de Ajo Picado               |
| 12             | Chiles Jalapeños Frescos           |
| 250 ml / 1 tz. | Queso Mozzarella, rallado          |
| 2 ml / ½ c.    | Paprika Ahumada                    |
| 24             | Palillos de Dientes                |

**Sabor de pellets de madera sugerido: Mezcla de nogal americano**

#### **Instrucciones:**

1. **Encienda su asador en "ahumar" con la tapa abierta hasta que haya un buen fuego en la cámara de combustión (3-7 minutos). Precaliente a 300 °F.**
2. Empiece por cortar los chiles jalapeños a la mitad a lo largo, quitando las semillas y la membrana central, y póngalos a un lado
3. Después mezcle en queso crema, el queso mozzarella, el ajo y la paprika hasta que queden bien combinados, añada sal al gusto, y luego use una cuchara para llenar las 24 mitades de jalapeño.
4. Envuelva cada jalapeño relleno con media rebanada de tocino y ponga un palillo de dientes en el centro para sujetar el tocino.
5. Ponga los chiles rellenos en el asador, y áselos unos 25 minutos.
6. Sáquelos del asador y sívalos de inmediato.

**Punta:** Para lograr un sabor aún más ahumado, inicie la receta en modo de ahumar durante 30 minutos antes de asar.





FOR OUTDOOR AND HOUSEHOLD USE ONLY. NOT FOR COMMERCIAL USE. RÉSERVÉ À L'USAGE  
EXTÉRIEUR ET RÉSIDENTIEL UNIQUEMENT. NON DESTINÉ À UN USAGE COMMERCIAL.  
SOLO PARA USO EN EXTERIORES Y EN EL HOGAR. NO ES PARA USO COMERCIAL.

## IMPORTANT

### DO NOT RETURN PRODUCT TO STORE

For all questions, comments, or inquiries, please contact Dansons directly. Our Customer Service department is available **Monday through Sunday, 4am - 8pm PST (EN/FR/ES)**.

**TOLL FREE: 1-877-303-3134 | TOLL FREE FAX: 1-877-303-3135**  
[service@pitboss-grills.com](mailto:service@pitboss-grills.com)

## IMPORTANT

### NE RETOURNEZ PAS LE PRODUIT AU MAGASIN

Pour toute questions, commentaires ou demandes de renseignements, veuillez communiquer avec Dansons directement. Le service à la clientèle est ouvert du **lundi au dimanche, de 4 h à 20 h HP (ANG / FR / ES)**.

**NUMÉRO SANS FRAIS : 1-877-303-3134 | TÉLÉCOPIEUR SANS FRAIS : 1-877-303-3135**  
[service@pitboss-grills.com](mailto:service@pitboss-grills.com)

## ¡IMPORTANTE!

### NO DEVUELVA EL PRODUCTO A LA TIENDA

Para el preguntas, comentarios o consultas, por favor contactar Dansons directamente. Nuestro departamento de servicio al cliente está disponible **lunes a viernes de 4:00 a.m. a 8:00 p.m. tiempo del Pacífico**.

**LLAMADA GRATUITA: 1-877-303-3134 | FAX GRATUITO: 1-877-303-3135**  
[service@pitboss-grills.com](mailto:service@pitboss-grills.com)

**⚠️ WARNING:** This product can expose you to chemicals including wood dust, which is known to the state of California to cause cancer. Combustion of this product can expose you to chemicals including carbon monoxide, which is known to the state of California to cause birth defects or other reproductive harm. For more information go to [WWW.P65WARNINGS.CA.GOV](http://WWW.P65WARNINGS.CA.GOV)

**⚠️ AVERTISSEMENT :** Ce produit peut vous exposer à des produits chimiques incluant la poussière de bois, connue par l'état de californie pour causer le cancer. La combustion de ce produit peut vous exposer à des produits chimiques incluant le monoxyde de carbone, connu par l'état de la californie comme causant des anomalies congénitales ou autres effets nocifs sur la reproduction. Pour accéder à d'autres informations, rendez-vous à [WWW.P65WARNINGS.CA.GOV](http://WWW.P65WARNINGS.CA.GOV)

**⚠️ ADVERTENCIA:** este producto puede exponerlo a productos químicos incluyendo polvo de madera, que el estado de california sabe que provocan cáncer. La combustión del este producto puede exponerlo a productos químicos incluyendo al monóxido de carbono, que el estado de california sabe que causa defectos congénitos y otros daños reproductivos. Para obtener más información, visite [WWW.P65WARNINGS.CA.GOV](http://WWW.P65WARNINGS.CA.GOV)

MADE IN CHINA | FABRIQUÉ EN CHINE | HECHO EN CHINA

**PITBOSS-GRILLS.COM**



480200908WMV